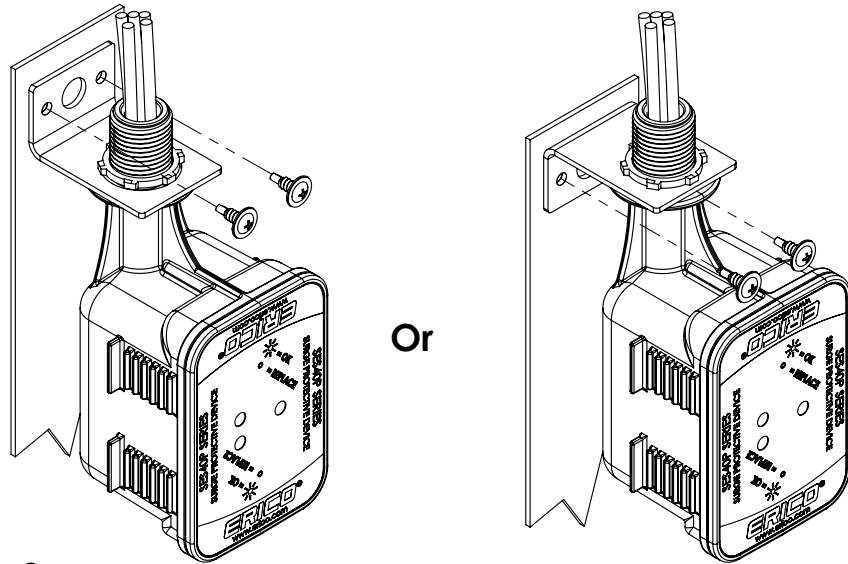


SES40PBRK

Mounting Bracket

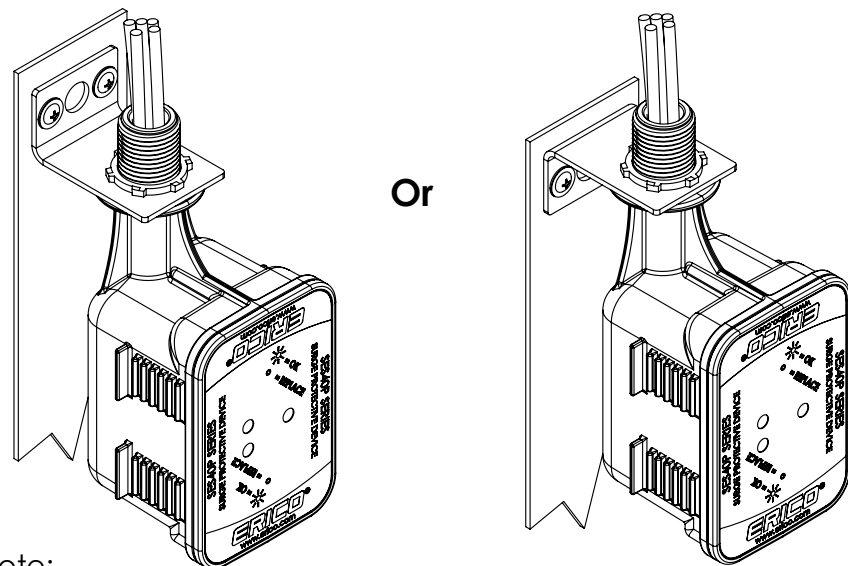
Step 1

Position the SES40BRK mounting bracket as required. Use CADDY® part number SMS8 self drilling/self tapping screws to secure bracket. A 0.110" pilot hole can be drilled if desired.



Step 2

Install SES40P Service Entrance Suppression device from ERICO® as shown. (Sold separately) Use 1/2" conduit locknut to secure. (Not included)



Note:

1. Precautions should be taken with the sharp end of the protruding screws.
2. SES40PBRK and SES40P can be installed in any orientation.
3. Center mounting hole provided for alternate attachment options.
4. This configuration is for use inside electrical panel with enclosure.

WARNING:

1. ERICO products shall be installed and used only as indicated in ERICO product instruction sheets and training materials. Instruction sheets are available at www.erico.com and from your ERICO customer service representative.
2. ERICO products must never be used for a purpose other than the purpose for which they were designed or in a manner that exceeds specified load ratings.
3. All instructions must be completely followed to ensure proper and safe installation and performance.
4. Improper installation, misuse, misapplication or other failure to completely follow ERICO's instructions and warnings may cause product malfunction, property damage, serious bodily injury and death.

SAFETY INSTRUCTIONS:

All governing codes and regulations and those required by the job site must be observed. Always use appropriate safety equipment such as eye protection, hard hat, and gloves as appropriate to the application.

CADDY, CADWELD, CRITEC, ERICO, ERIFLEX, ERITECH, and LENTON are registered trademarks of ERICO International Corporation.

