

ERICO® FLEXIBAR®

Manual ERICO FLEXIBAR Shearing Tool

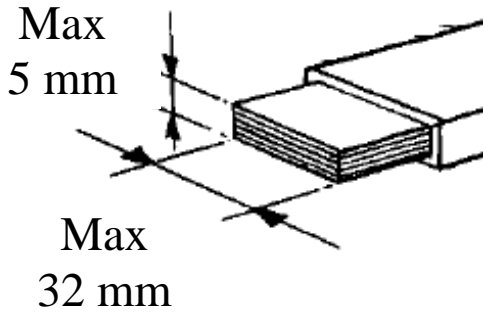
559146 MFSHT-2

ERICO FLEXIBAR Sizes [mm]:

8 x 6 x 0.5 ⇒ 5 x 32 x 1



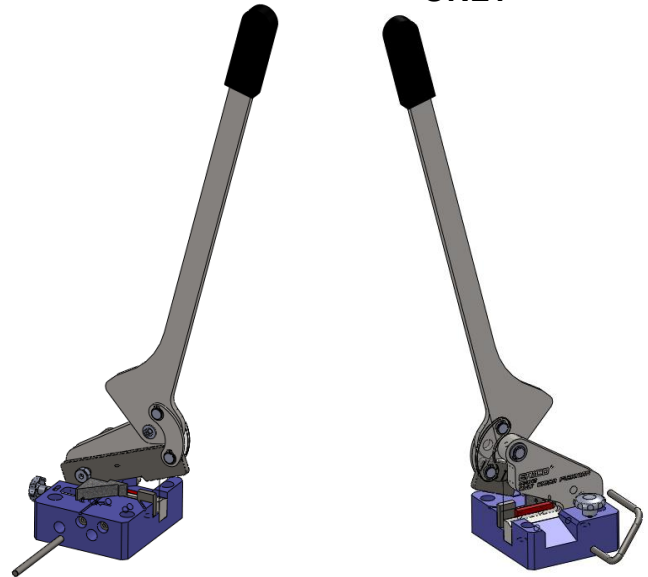
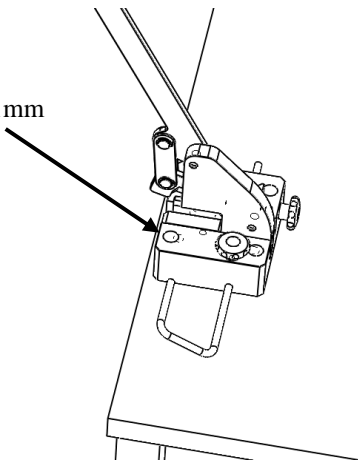
For ERICO® FLEXIBAR®
ONLY



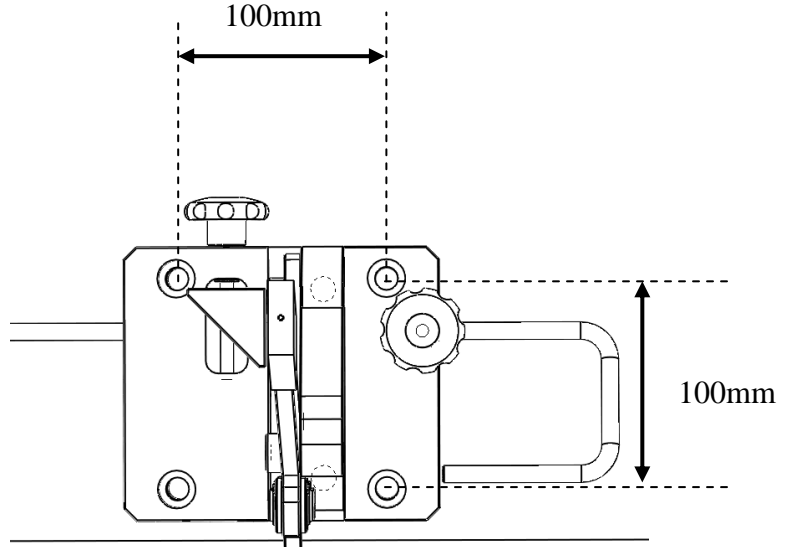
A. Workbench:



4x Ø11mm



100mm



WARNING:

1. ERICO products shall be installed and used only as indicated in ERICO product instruction sheets and training materials. Instruction sheets are available at www.erico.com and from your ERICO customer service representative.
2. ERICO products must never be used for a purpose other than the purpose for which they were designed or in a manner that exceeds specified load ratings.
3. All instructions must be **completely** followed to ensure proper and safe installation and performance.
4. Improper installation, misuse, misapplication or other failure to completely follow ERICO's instructions and warnings may cause product malfunction, property damage, serious bodily injury and death.

SAFETY INSTRUCTIONS: All governing codes and regulations and those required by the job site must be observed. Always use appropriate safety equipment such as eye protection, hard hat, and gloves as appropriate to the application.

Drawings or sketches are not contractual and can change according to the models



CADDY, CADWELD, CRITEC, ERICO, ERIFLEX, ERITECH and LENTON are registered trademarks of ERICO International Corporation

TECHNICAL SUPPORT
www.erico.com

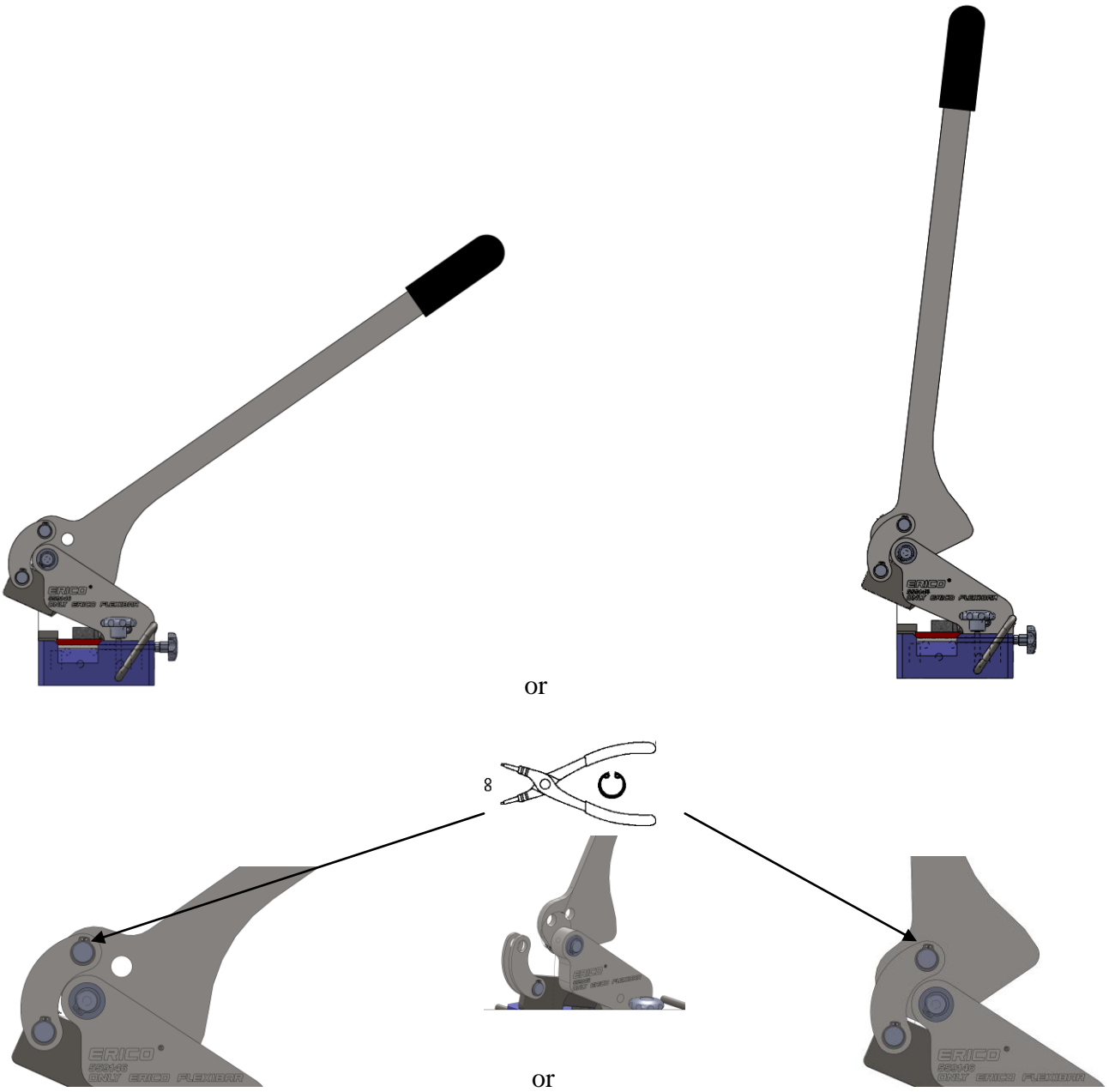
IP8323A4_A

1 of 7

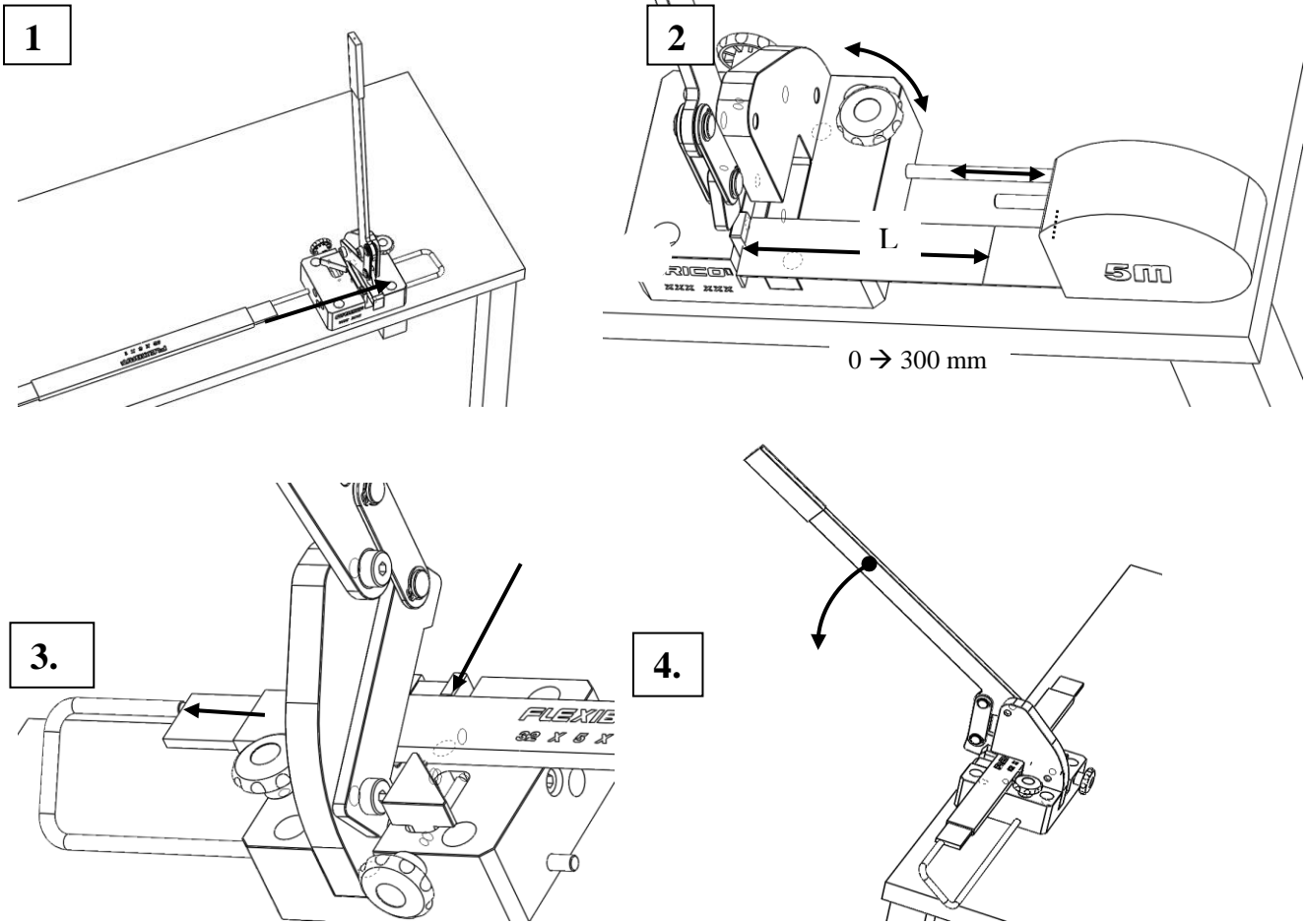
©2015 ERICO International Corporation



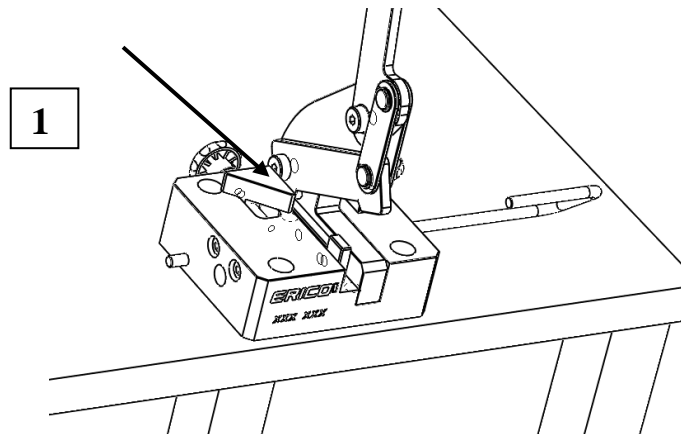
B. 2 positions of the handle:



B. Cut ERICO FLEXIBAR :

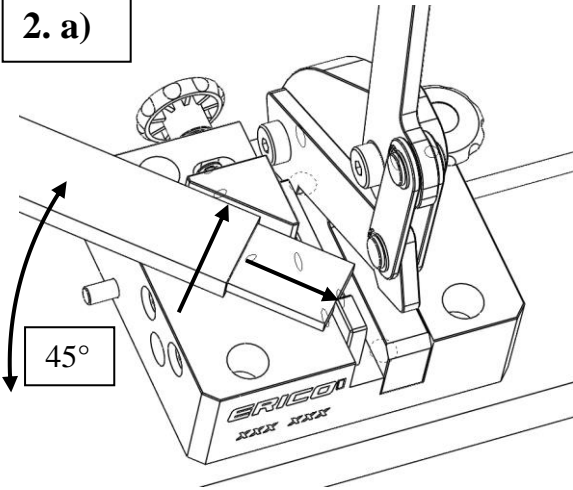


C. Make chamfrains on ERICO FLEXIBAR :

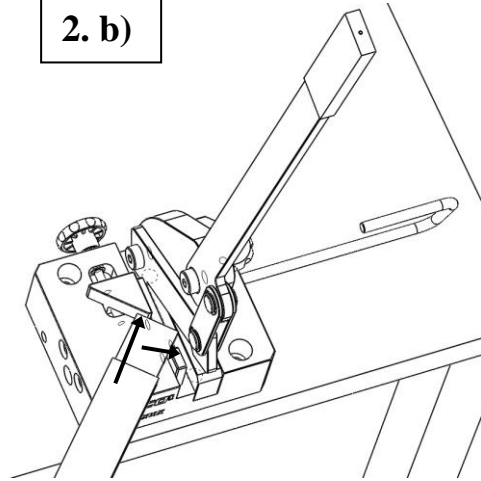


INSTRUCTION SHEET

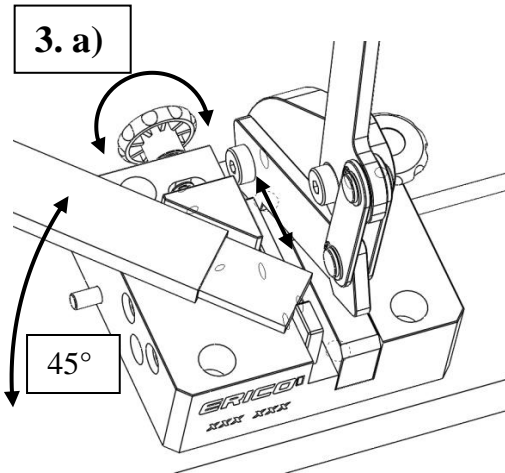
2. a)



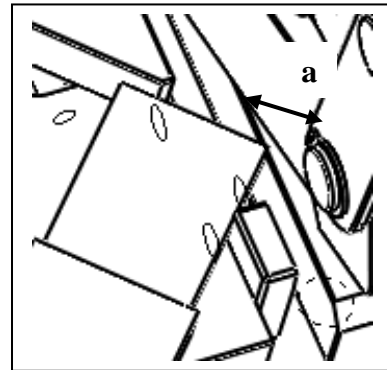
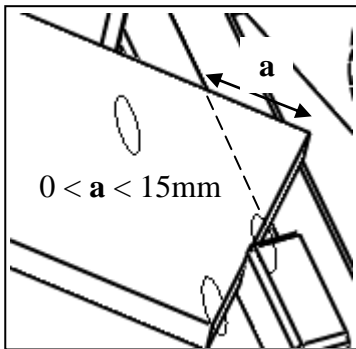
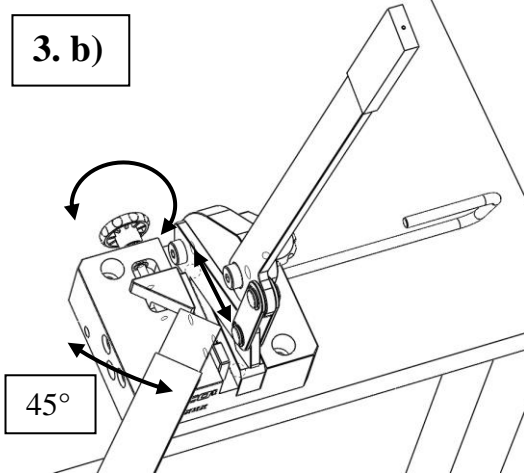
2. b)



3. a)



3. b)

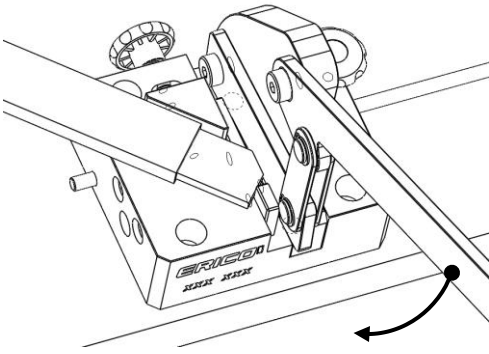


$0 < a < 15\text{mm}$

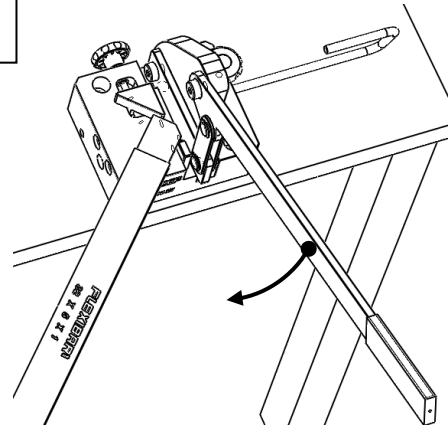


INSTRUCTION SHEET

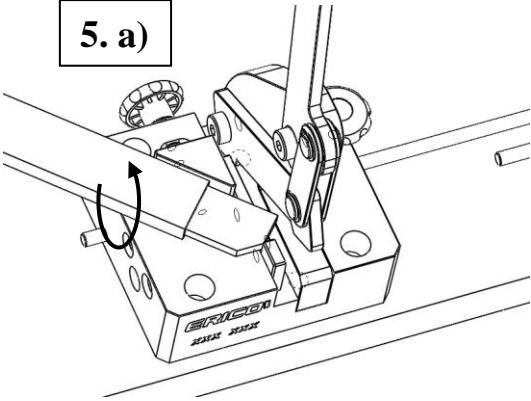
4. a)



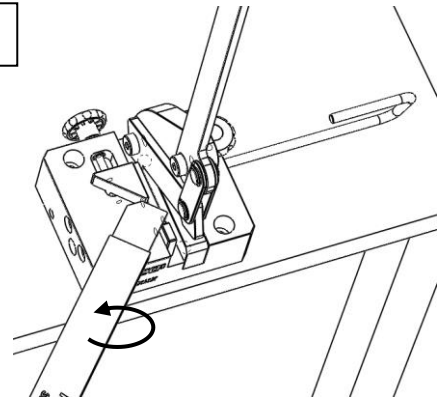
4. b)



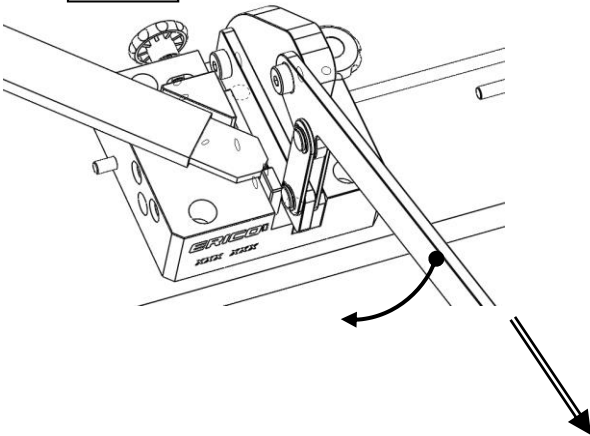
5. a)



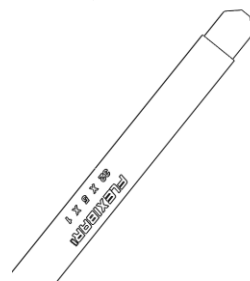
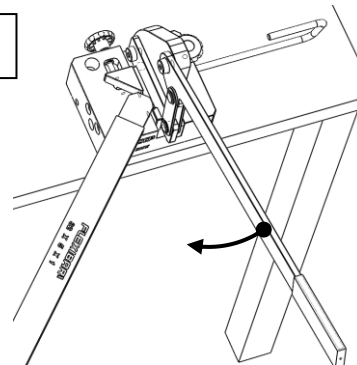
5. b)



6. a)

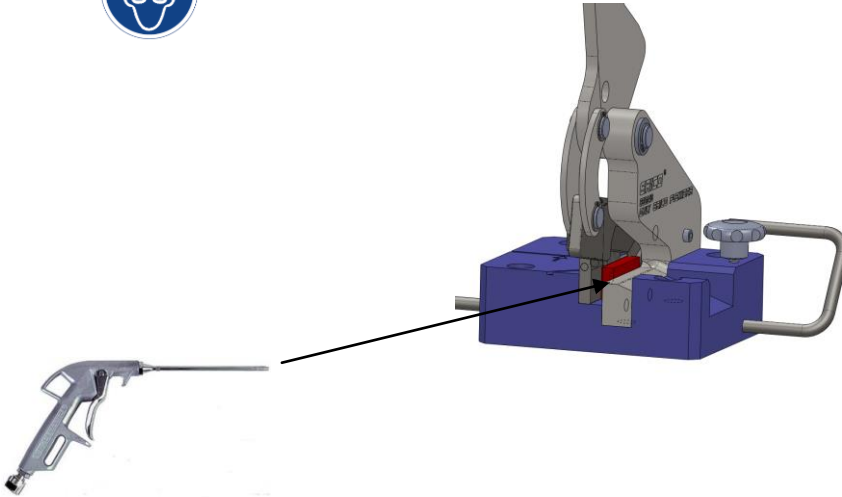


6. b)

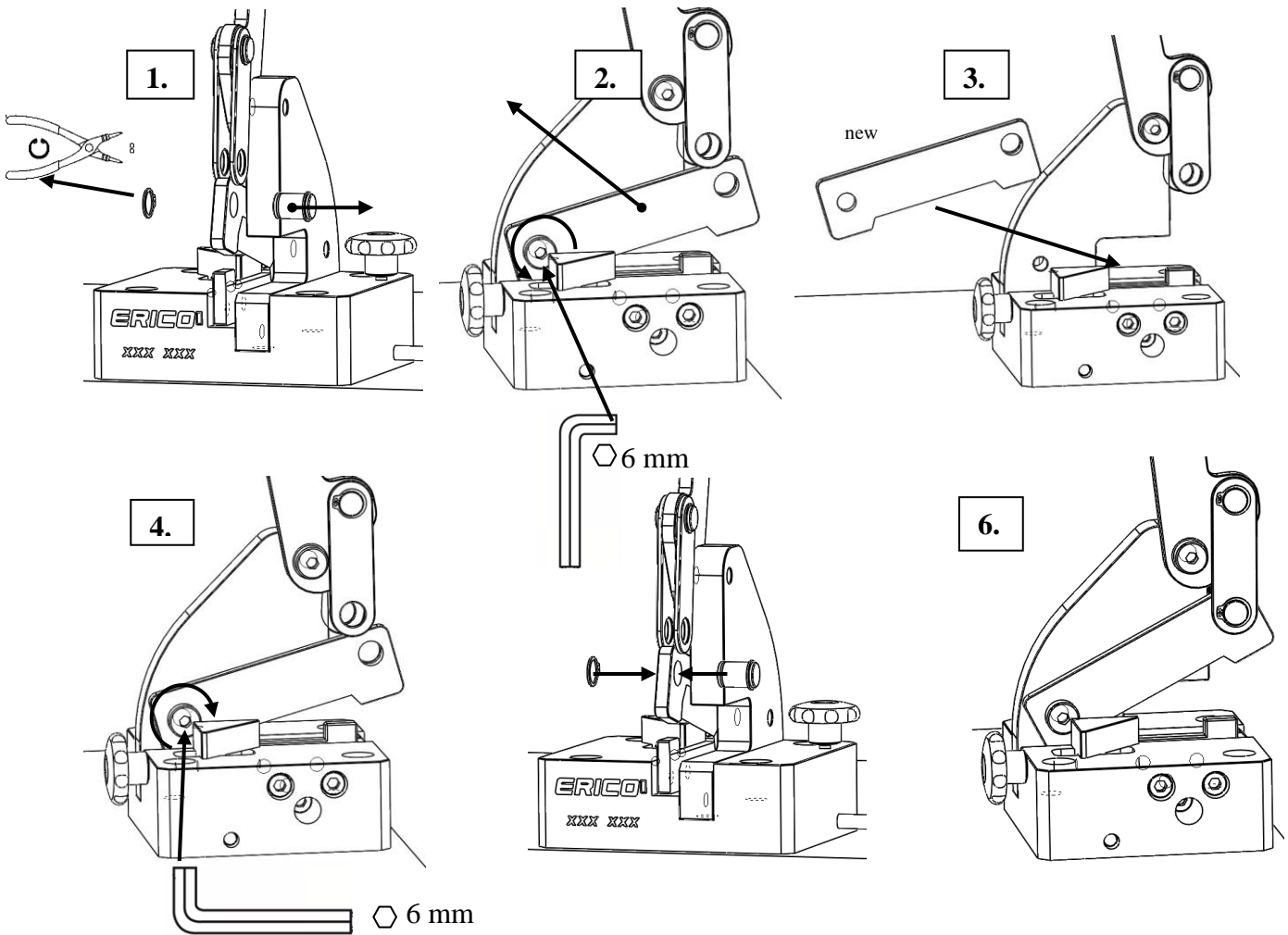


D. Maintenance:

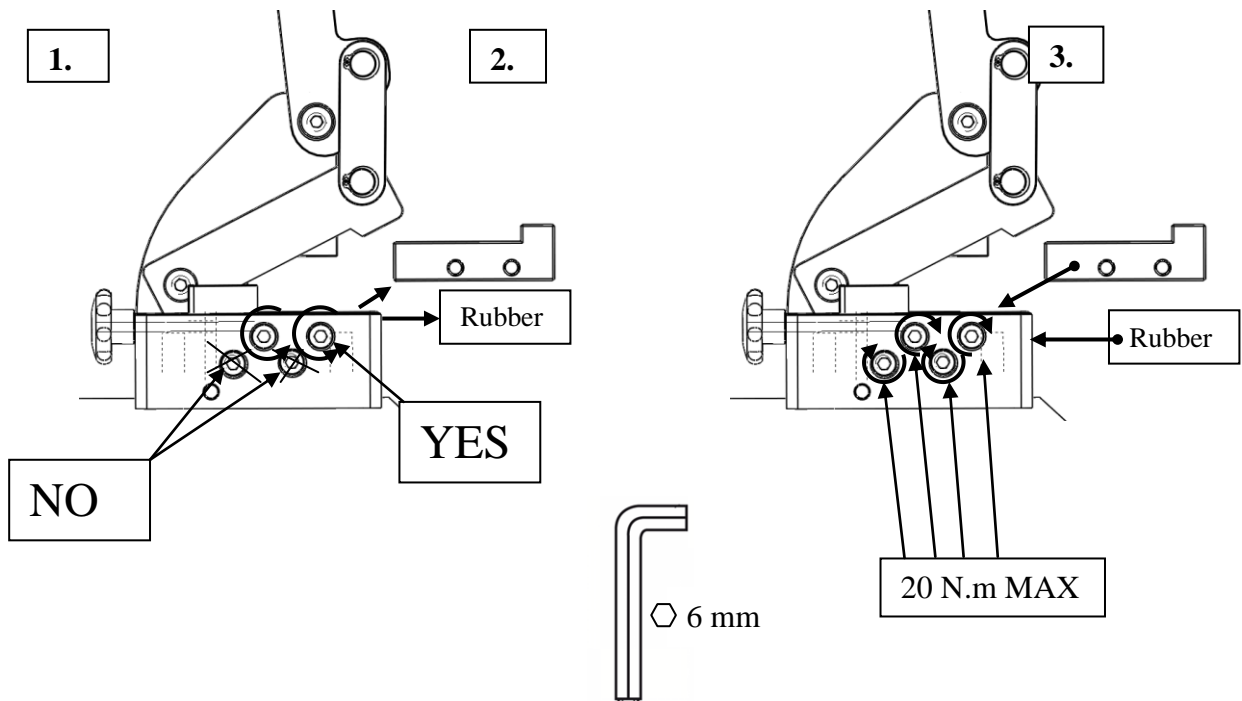
1. Remove the chips:



2. Change the blade:



3. Change the fixe blade or Rubber:



4. Regular checking + oil :

