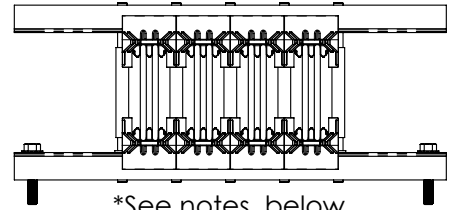
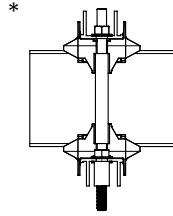
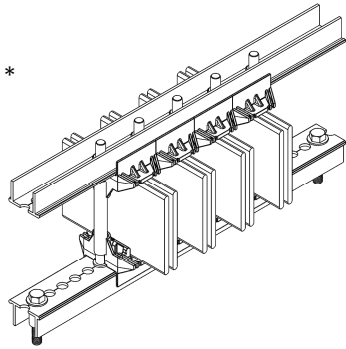


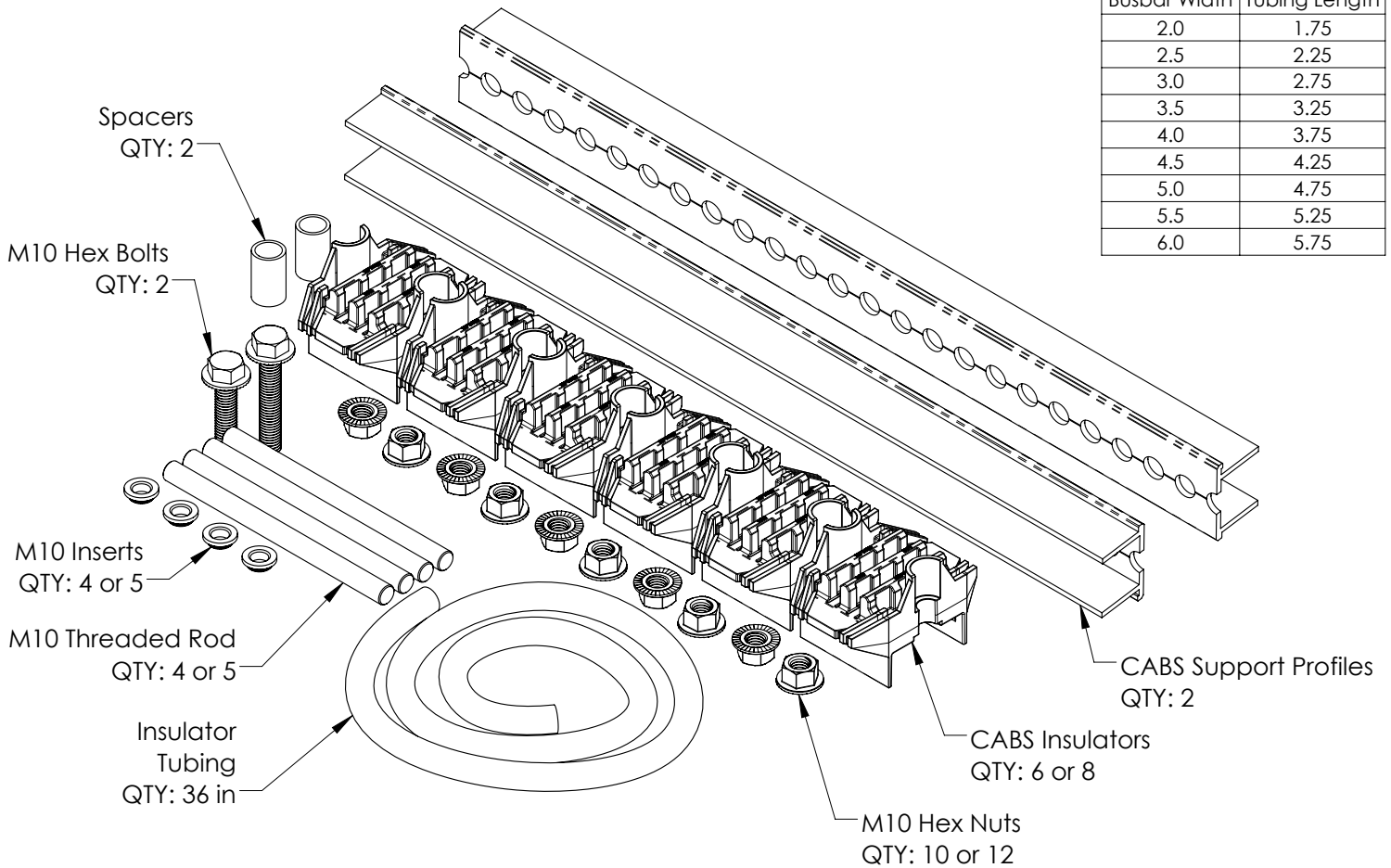
Compact Adjustable Busbar Support System

CABS for imperial busbar sizes



*See notes, below.

Busbar Width	Tubing Length
2.0	1.75
2.5	2.25
3.0	2.75
3.5	3.25
4.0	3.75
4.5	4.25
5.0	4.75
5.5	5.25
6.0	5.75



ONLY USE FASTENERS AND HARDWARE PROVIDED IN THE CABS HARDWARE KIT. Using fasteners and hardware that is not included may compromise performance and will void warranty.

*Busbars not included. Product is NOT shipped assembled.

WARNING:

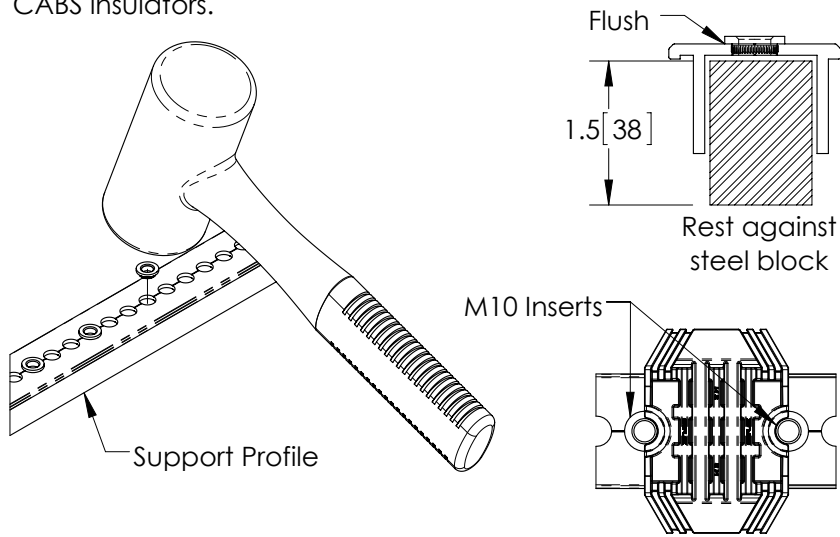
1. nVent products shall be installed and used only as indicated in nVent product instruction sheets and training materials. Instruction sheets are available at www.nVent.com and from your nVent customer service representative.
2. nVent products must never be used for a purpose other than the purpose for which they were designed or in a manner that exceeds specified load ratings.
3. All instructions must be completely followed to ensure proper and safe installation and performance.
4. Improper installation, misuse, misapplication or other failure to completely follow nVent's instructions and warnings may cause product malfunction, property damage, serious bodily injury and/or death, and void your warranty.

SAFETY INSTRUCTIONS:

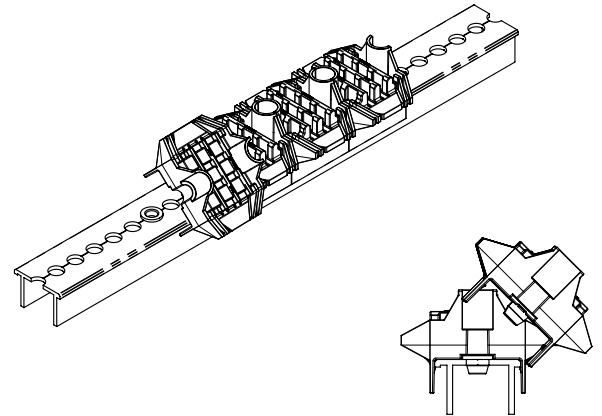
All governing codes and regulations and those required by the job site must be observed. Always use appropriate safety equipment such as eye protection, hard hat, and gloves as appropriate to the application.

nVent, CADDY, ERICO CADWELD, ERICO CRITEC, ERICO, ERIFLEX, and LENTON are owned by nVent or its global affiliates. All other trademarks are the property of their respective owners. nVent reserves the right to change specifications without prior notice.

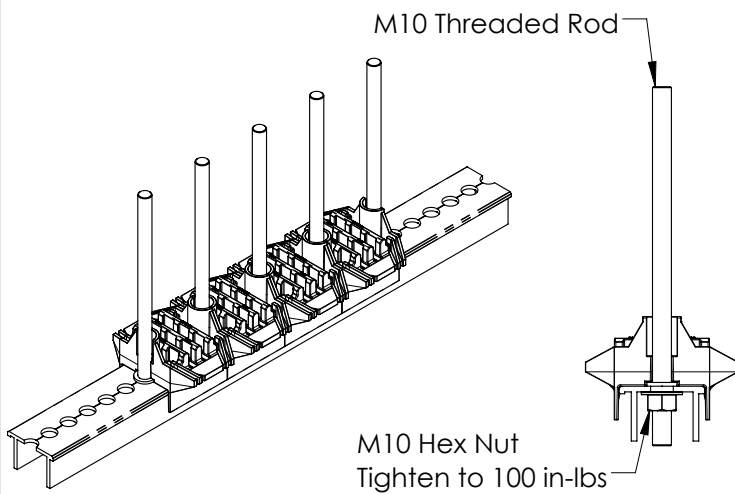
1) Carefully install M10 inserts using a hammer. At a minimum, inserts should be spaced to align with holes on CABS insulators.



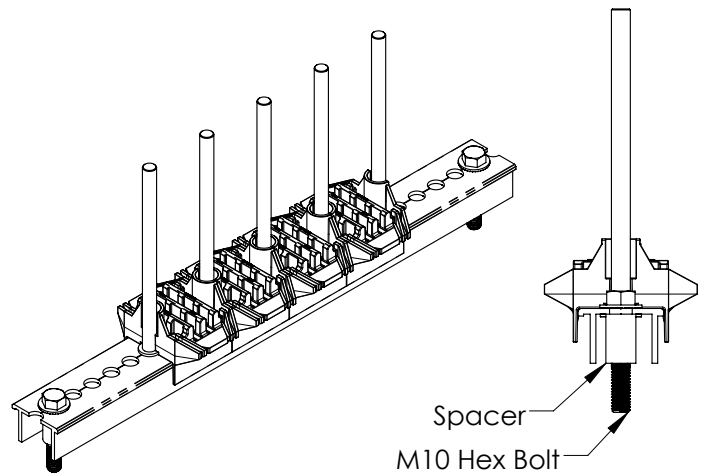
2) Install CABS insulators on Bottom Support Profile. Repeat for Top Support Profile.



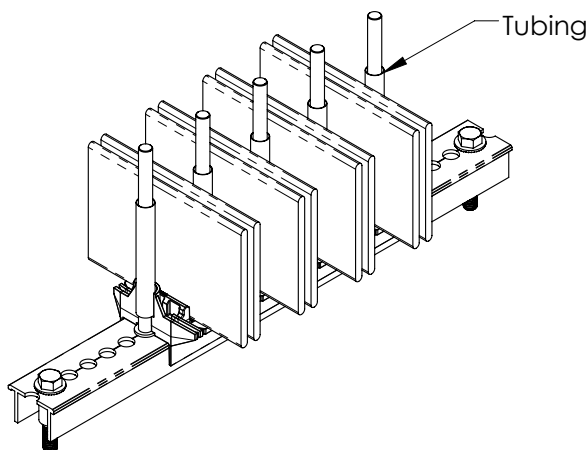
3) Install M10 threaded rods and M10 hex nuts.



4) Mount to enclosure. Use Spacers to prevent deforming the aluminum profile when bolts are torqued. Use CABS bracket kits (not included) if necessary.



5) Install busbars. **Cut insulator tubing to length (see Table 1)** and install on threaded rods.



6) Install top rail with CABS insulators snapped in place.

