

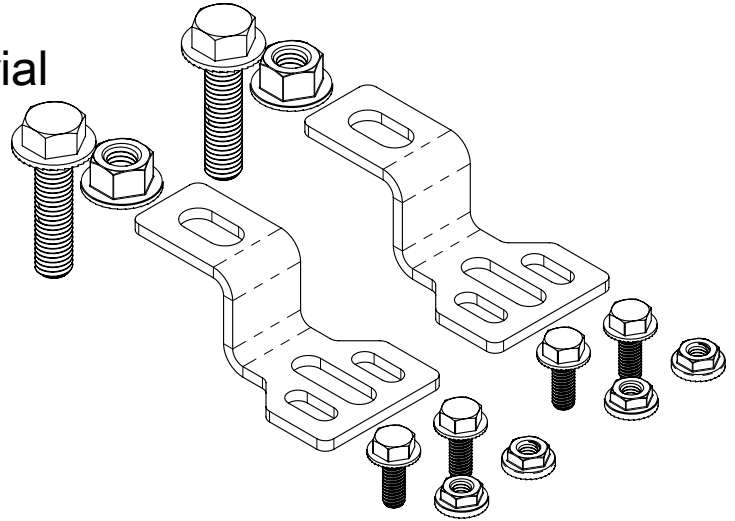
E-Bracket

Mounting Bracket Kit for CABS Imperial

2X E-Brackets
 2X M10 Hex Bolts
 2X M10 Hex Nuts
 4X M6 Hex Bolts
 4X M6 Hex Nuts

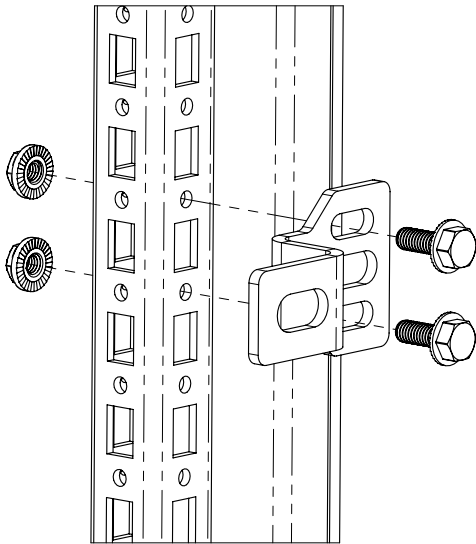
ONLY USE APPROVED HARDWARE

Verify load bearing capacity, spacing of CABS supports, and assembly configuration prior to installing brackets or cage nuts.



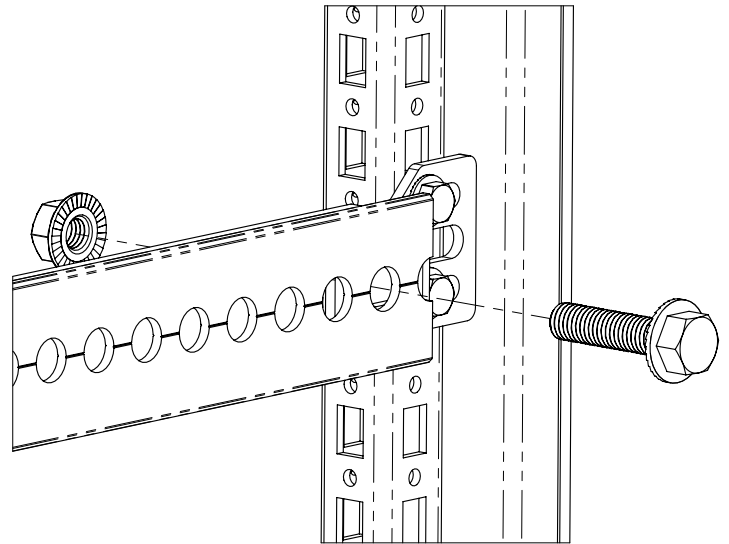
1) Attach brackets to frame using M6 Hex Bolt and M6 Hex Nut. Repeat for both sides of enclosure.

Alternative: Use two (2) cage nuts (not included) instead of hex nuts.



2) Attach aluminum profile to brackets using M10 Hex Bolts and M10 Hex Nuts.

Reference IP8347 for CABS system installation.



WARNING:

1. nVent products shall be installed and used only as indicated in nVent product instruction sheets and training materials. Instruction sheets are available at www.nVent.com and from your nVent customer service representative.
2. nVent products must never be used for a purpose other than the purpose for which they were designed or in a manner that exceeds specified load ratings.
3. All instructions must be **completely** followed to ensure proper and safe installation and performance.
4. Improper installation, misuse, misapplication or other failure to completely follow nVent's instructions and warnings may cause product malfunction, property damage, serious bodily injury and/or death, and void your warranty.

SAFETY INSTRUCTIONS:

All governing codes and regulations and those required by the job site must be observed.
 Always use appropriate safety equipment such as eye protection, hard hat, and gloves as appropriate to the application.

nVent, CADDY, ERICO CADWELD, ERICO CRITEC, ERICO, ERIFLEX, and LENTON are owned by nVent or its global affiliates. All other trademarks are the property of their respective owners. nVent reserves the right to change specifications without prior notice.