

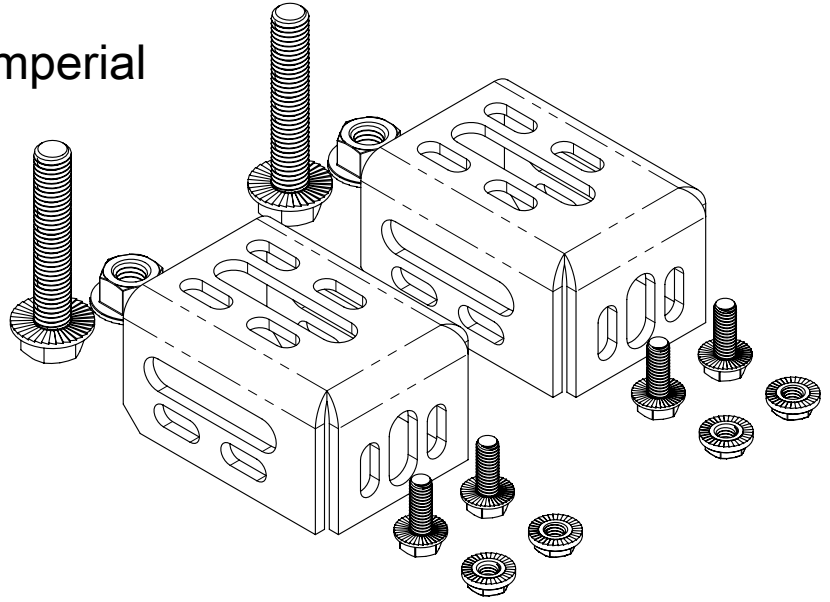
M-Bracket

Mounting Bracket Kit for CABS Imperial

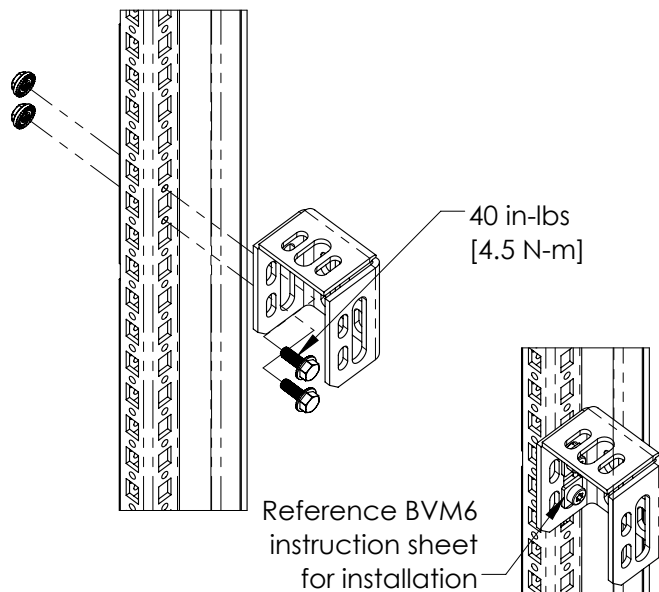
2X M-Brackets
 2X M10 Hex Bolts
 2X M10 Hex Nuts
 4X M6 Hex Bolts
 4X M6 Hex Nuts

ONLY USE APPROVED HARDWARE

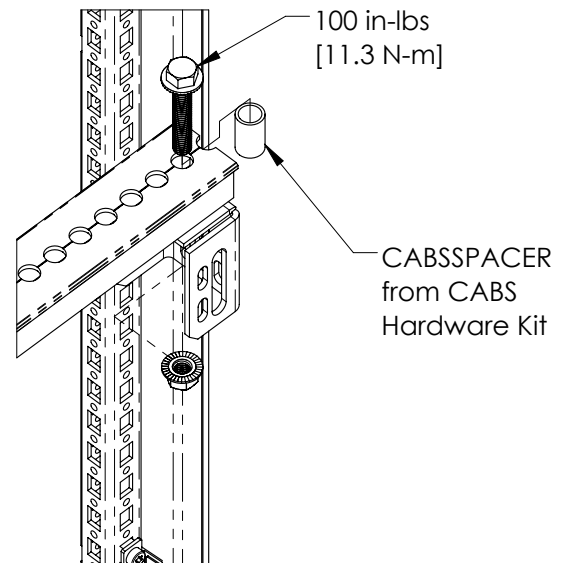
Verify load bearing capacity, spacing of CABS supports, and assembly configuration prior to specifying brackets, cage nuts, or BVM6 fasteners.



1) Attach bracket to enclosure frame in the desired orientation using M6 Hex Bolts and M6 Hex Nuts.
Alternative: Use two (2) cage nuts instead of hex nuts (not included) OR two (2) Hoffman BVM6 fasteners (not included).



2) Fasten support rails to bracket using M10 Hex Bolt and M10 Hex Nut. Reference instruction sheet IP8347 for CABS system installation.



WARNING:

- nVent products shall be installed and used only as indicated in nVent product instruction sheets and training materials. Instruction sheets are available at www.nVent.com and from your nVent customer service representative.
- nVent products must never be used for a purpose other than the purpose for which they were designed or in a manner that exceeds specified load ratings.
- All instructions must be **completely** followed to ensure proper and safe installation and performance.
- Improper installation, misuse, misapplication or other failure to completely follow nVent's instructions and warnings may cause product malfunction, property damage, serious bodily injury and/or death, and void your warranty.

SAFETY INSTRUCTIONS:

All governing codes and regulations and those required by the job site must be observed.
 Always use appropriate safety equipment such as eye protection, hard hat, and gloves as appropriate to the application.

nVent, CADDY, ERICO CADWELD, ERICO CRITEC, ERICO, ERIFLEX, and LENTON are owned by nVent or its global affiliates. All other trademarks are the property of their respective owners. nVent reserves the right to change specifications without prior notice.