

nVent ERIFLEX Flexibar Hydraulic Shearung Tool Manual MHYFSHT (559151)

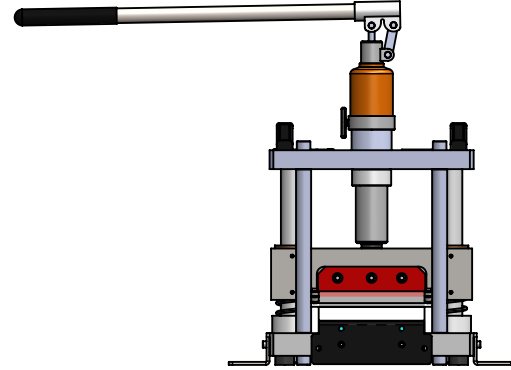
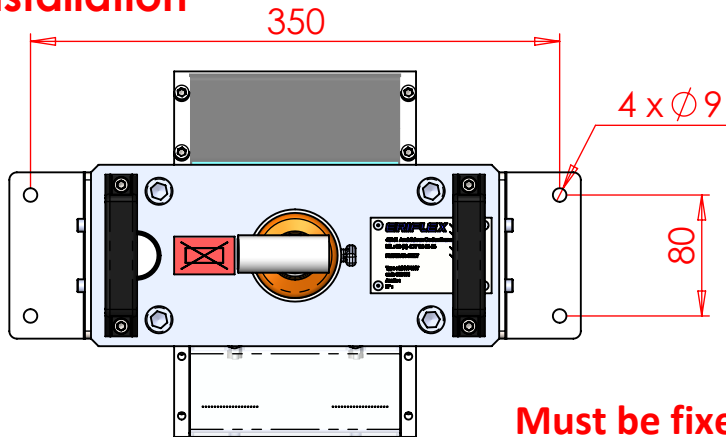
For nVent ERIFLEX Flexibar only

For all sizes of nVent ERIFLEX Flexibar.

SAFETY



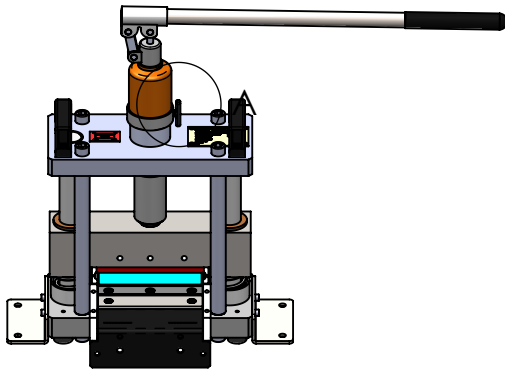
A. Installation



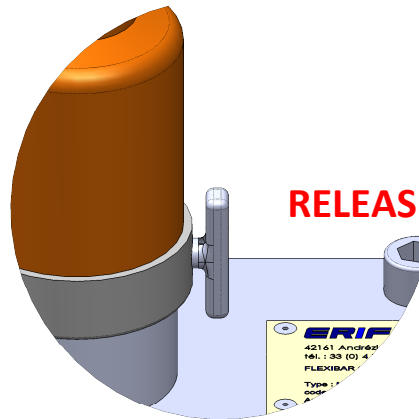
Must be fixed before use.

B. Use

PUSH to apply Pressure



RELEASE PRESSURE



WARNING:

1. nVent products shall be installed and used only as indicated in nVent product instruction sheets and training materials. Instruction sheets are available at www.nVent.com and from your nVent customer service representative.
2. nVent products must never be used for a purpose other than the purpose for which they were designed or in a manner that exceeds specified load ratings.
3. All instructions must be completely followed to ensure proper and safe installation and performance.
4. Improper installation, misuse, misapplication or other failure to completely follow nVent's instructions and warnings may cause product malfunction, property damage, serious bodily injury and/or death, and void your warranty.

SAFETY INSTRUCTIONS:

All governing codes and regulations and those required by the job site must be observed. Always use appropriate safety equipment such as eye protection, hard hat, and gloves as appropriate to the application.

nVent, nVent CADDY, nVent ERICO Cadweld, nVent ERICO Critec, nVent ERICO, nVent ERIFLEX, and nVent LENTON are owned by nVent or its global affiliates. All other trademarks are the property of their respective owners. nVent reserves the right to change specifications without prior notice.

TECHNICAL SUPPORT
www.nVent.com

IP8360_B

1 OF 3

© 2018-2019 nVent All Rights Reserved

nVent ERIFLEX Flexibar Hydraulic Shearung Tool Manual

MHYFSHT (559151)

1) GENERAL SAFETY INSTRUCTIONS

Read all of this manual carefully.

- Keep the work area clean

An unclean work area can cause accidents

- Consider the work area environment
- Do not expose the tool to rain or wet conditions
- Keep the work area well lit
- Keep children away
- Do not wear loose clothing
- Always use safety glasses
- It's advisable to wear suitable gloves and non-slip shoes
- Keep proper footing and balance at all times and stay alert.

2) ADDITIONAL SAFETY RULES FOR THE HYDRAULIC SHEARER

- **Never use the shearer without guard in place**
- The disassembling of the guard for cleaning or adjustment must always be carried out with the socket disconnected.

Caution: this shearer cuts nVent ERIFLEX Flexibar only

3) REPAIRS

To repair the tool you must use an approved nVent ERIFLEX agent using original parts

4) SHEARER DESCRIPTION

4.1 Design features

- Power : 10 t (100 kN)
- Passage under blade : 19,5mm
- Stroke length : 23mm
- Weight : 29 Kgs
- Nominal cut capacity : nVent ERIFLEX Flexibar 120 X 12 mm

4.2 Cutting

- The nVent ERIFLEX Flexibar must be centered under the blade
- See page 1, **B.USE**

5.3 Maintenance

- o Eliminate the waste of copper with a fan
- o Immediately replace the damaged or worn blades
- o Do not grease the guidance columns
- o Grease blades

WARNING:

1. nVent products shall be installed and used only as indicated in nVent product instruction sheets and training materials. Instruction sheets are available at www.nVent.com and from your nVent customer service representative.
2. nVent products must never be used for a purpose other than the purpose for which they were designed or in a manner that exceeds specified load ratings.
3. All instructions must be completely followed to ensure proper and safe installation and performance.
4. Improper installation, misuse, misapplication or other failure to completely follow nVent's instructions and warnings may cause product malfunction, property damage, serious bodily injury and/or death, and void your warranty.

SAFETY INSTRUCTIONS:

All governing codes and regulations and those required by the job site must be observed.
Always use appropriate safety equipment such as eye protection, hard hat, and gloves as appropriate to the application.

nVent, nVent CADDY, nVent ERICO Cadweld, nVent ERICO Critec, nVent ERICO, nVent ERIFLEX, and nVent LENTON are owned by nVent or its global affiliates. All other trademarks are the property of their respective owners. nVent reserves the right to change specifications without prior notice.

TECHNICAL SUPPORT
www.nVent.com

IP8360_B

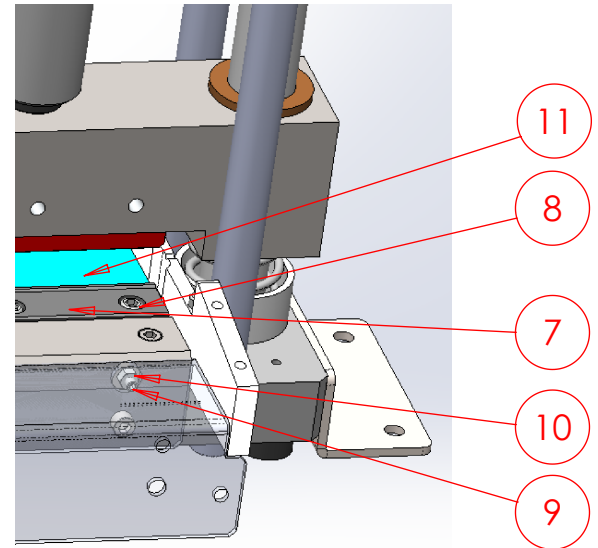
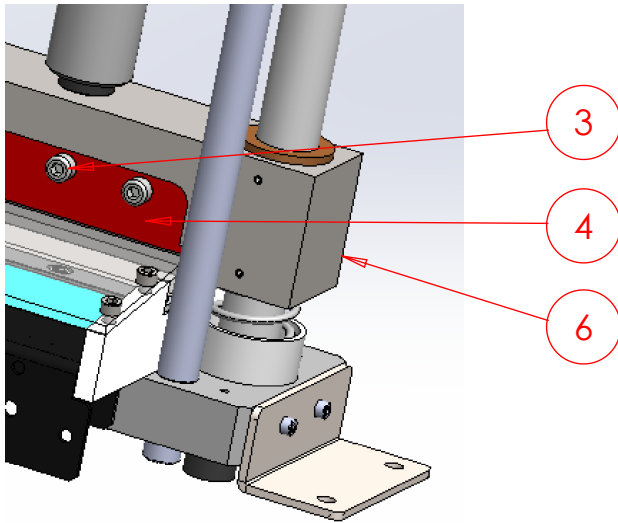
2 OF 3

© 2018-2019 nVent All Rights Reserved

nVent ERIFLEX Flexibar Hydraulic Shearung Tool Manual

MHYFSHT (559151)

4.5 Replacement / Sharpening of blades



4.5.1 mobile blade, assembly mark 4

It is fixed on the sliding block 6 by 3 screws, assembly mark 3
The blade cannot be used if its height is less than in 52mm

4.5.2 The opposite blade fixed, assembly mark 8

It is fixed on the basic plate by 3 screws, assembly mark 7
Sharpening must be accomplished on the vertical cut face

4.5.3 Adjustment

- Move back the 2 bearing screws 9 of her opposite blade, assembly mark 8
- Loosen the 3 screws of fixing, assembly mark 7
- Put a sheet of paper of thickness 8 / 100mm against the opposite blade (functional length)
- Let the sliding block and his blade slide against the opposite blade
- Contact the blade and the opposite blade with the 2 regulating screws , assembly mark 9 without extreme effort. To grip locknuts, assembly mark 10.
- Grip the 3 screws, assembly mark 7, of the opposite blade 8
- Take away the length adjustment chock (sheet of paper)

4.6 Attaching the metal shears

- Conveyor with rolls in entrance
- Conveyor with rolls in exit
- Kit supported with measuring scale to be installed on the conveyor of exit
- Guide centering to be installed in the entrance of the metal shears

NOTE: attachments are provided with their screws of fixing for their assembly on the metal shear

WARNING:

1. nVent products shall be installed and used only as indicated in nVent product instruction sheets and training materials. Instruction sheets are available at www.nVent.com and from your nVent customer service representative.
2. nVent products must never be used for a purpose other than the purpose for which they were designed or in a manner that exceeds specified load ratings.
3. All instructions must be completely followed to ensure proper and safe installation and performance.
4. Improper installation, misuse, misapplication or other failure to completely follow nVent's instructions and warnings may cause product malfunction, property damage, serious bodily injury and/or death, and void your warranty.

SAFETY INSTRUCTIONS:

All governing codes and regulations and those required by the job site must be observed.
Always use appropriate safety equipment such as eye protection, hard hat, and gloves as appropriate to the application.

nVent, nVent CADDY, nVent ERICO Cadweld, nVent ERICO Critec, nVent ERICO, nVent ERIFLEX, and nVent LENTON are owned by nVent or its global affiliates. All other trademarks are the property of their respective owners. nVent reserves the right to change specifications without prior notice.

TECHNICAL SUPPORT
www.nVent.com

IP8360_B

3 OF 3

© 2018-2019 nVent All Rights Reserved