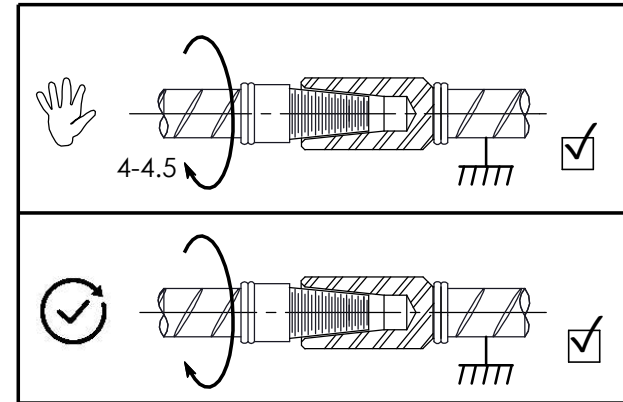
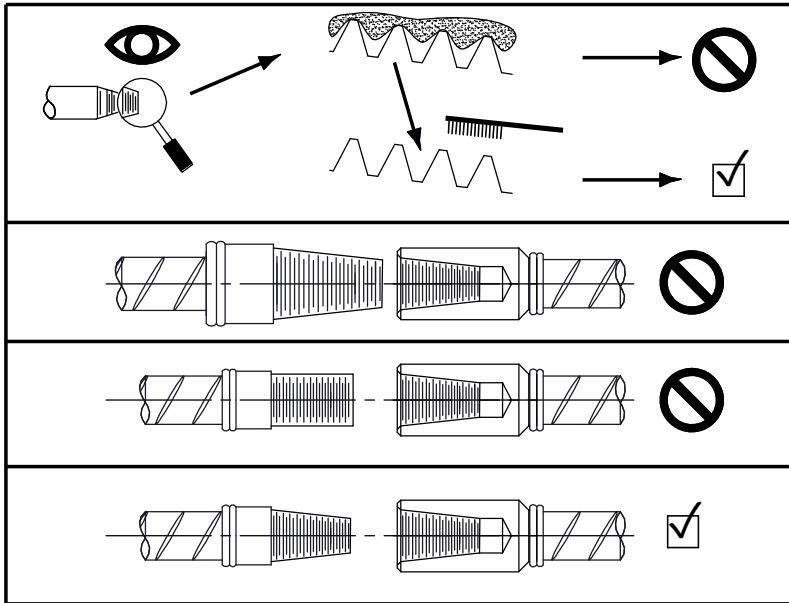


nVent LENTON Ultimate Standard Coupler MT12 (Male Tapered Stud), FT12 (Female Coupler)



Rotate by hand to engage male and female taper threads

Gire a mano para acoplar las roscas cónicas macho y hembra.



Snug tighten to secure tapered threads. Up to 1 full thread may be visible after snug tightening. Use appropriate tools and safety equipment as necessary.

Ajuste las roscas cónicas hasta que estén apretadas. Hasta un hilo completo puede estar visible luego de apretar la rosca cónica. Use las herramientas y equipos de seguridad apropiadas según sea necesario

WARNING:

1. nVent products shall be installed and used only as indicated in nVent product instruction sheets and training materials. Instruction sheets are available at www.nVent.com and from your nVent customer service representative.
2. nVent products must never be used for a purpose other than the purpose for which they were designed or in a manner that exceeds specified load ratings.
3. All instructions must be completely followed to ensure proper and safe installation and performance.
4. Improper installation, misuse, misapplication or other failure to completely follow nVent's instructions and warnings may cause product malfunction, property damage, serious bodily injury and/or death, and void your warranty.

The customer is responsible for:

- a. Conformance to all governing codes.
- b. The integrity of structures to which the products are attached, including their capability of safely accepting the loads imposed, as evaluated by a qualified engineer.
- c. Using appropriate industry standard hardware as noted above.

SAFETY INSTRUCTIONS:

All governing codes and regulations and those required by the job site must be observed. Always use appropriate safety equipment such as eye protection, hard hat, and gloves as appropriate to the application.

nVent, nVent CADDY, nVent ERICO Cadweld, nVent ERICO Critec, nVent ERICO, nVent ERIFLEX, and nVent LENTON are registered trademarks of nVent or its global affiliates. All other trademarks are the property of their respective owners. nVent reserves the right to change specifications without prior notice.