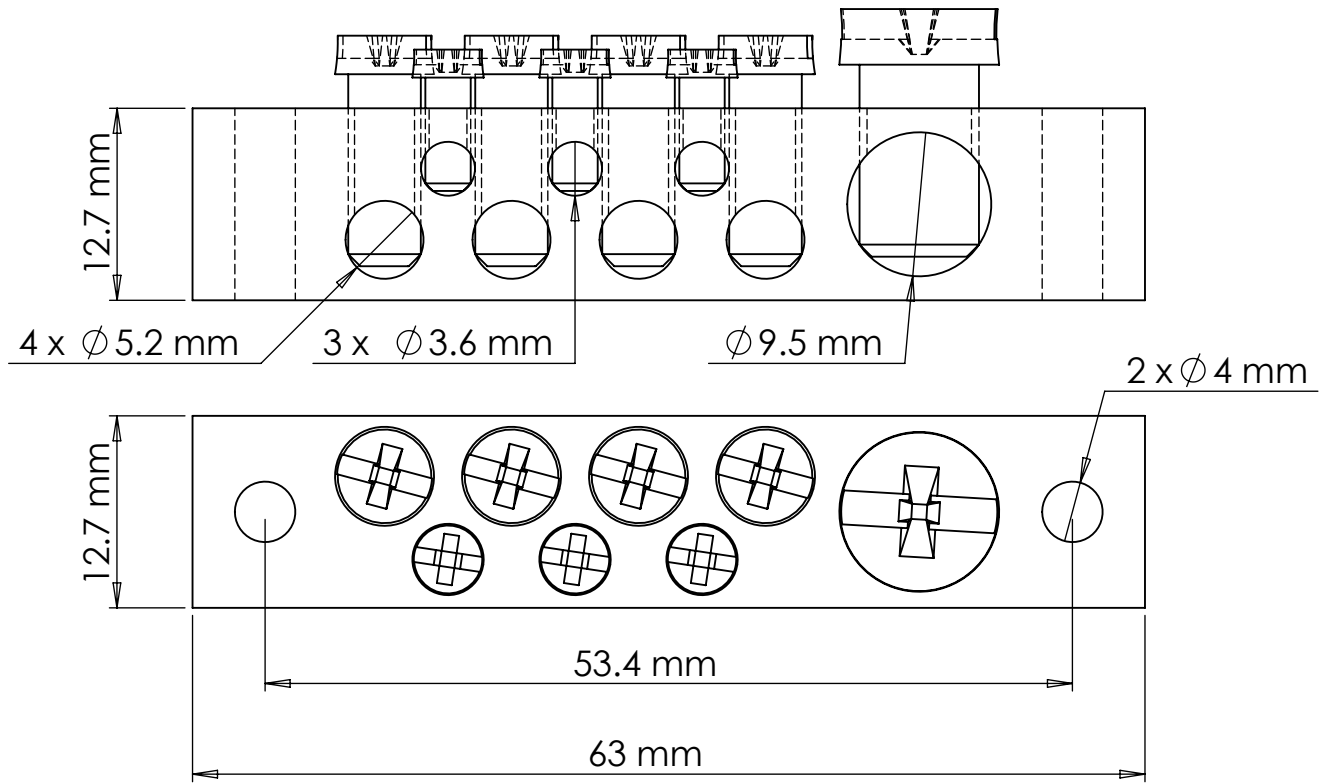


EBD8AL
568716



#	Type wire	Size		∅	C	Strip Length min.	Ampacity
1	All	4-2 AWG	16-35 mm ²	9,5 mm	4,5 Nm/ 39,8 in-lbs	12mm	115 A
4	All	8-6 AWG	6-10 mm ²	5,2 mm	2,3 Nm/20,4 in-lbs	13mm	
3	Copper Stranded	16-10 AWG	1,5-6 mm ²	3,6 mm	0,6 Nm/5,3 in-lbs	12mm	
	Solid Copper	14-10 AWG	2,5-6 mm ²				
	Solid Aluminium	12-10 AWG	4-6 mm ²				

WARNING:

- nVent products shall be installed and used only as indicated in nVent product instruction sheets and training materials. Instruction sheets are available at www.nVent.com and from your nVent customer service representative.
- nVent products must never be used for a purpose other than the purpose for which they were designed or in a manner that exceeds specified load ratings.
- All instructions must be **completely** followed to ensure proper and safe installation and performance.
- Improper installation, misuse, misapplication or other failure to completely follow nVent's instructions and warnings may cause product malfunction, property damage, serious bodily injury and/or death, and void your warranty.

SAFETY INSTRUCTIONS:

All governing codes and regulations and those required by the job site must be observed. Always use appropriate safety equipment such as eye protection, hard hat, and gloves as appropriate to the application.

nVent, CADDY, ERICO CADWELD, ERICO CRITEC, ERICO, ERIFLEX, and LENTON are owned by nVent or its global affiliates. All other trademarks are the property of their respective owners. nVent reserves the right to change specifications without prior notice.