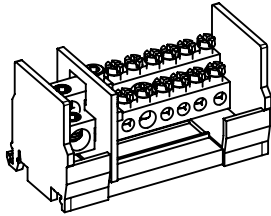


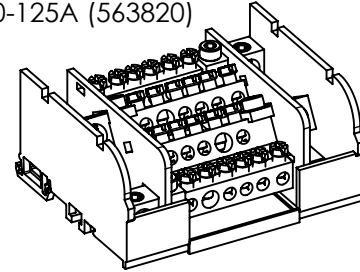
# Instruction sheet for BD-100-125A & TD-100-125A series (563800 / 563810 / 563820 / 563830 / 563840)



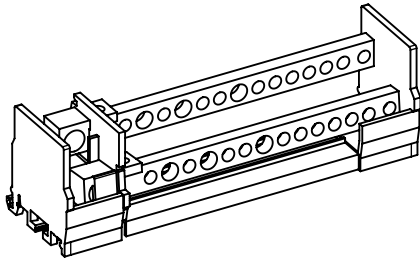
BD Two Pole Distribution Block, 100/125A  
BD-100-125A (563800)



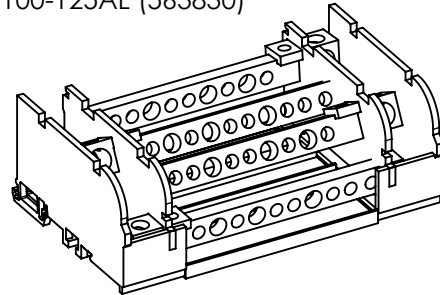
TD Four Pole Distribution Block, 100/125A  
TD-100-125A (563820)



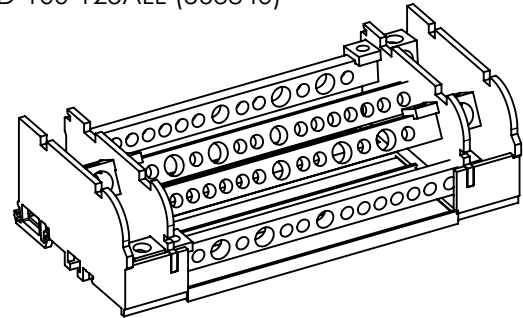
BD Two Pole Distribution Block, 100/125AL  
BD-100-125AL (563810)



TD Four Pole Distribution Block, 100/125AL  
TD-100-125AL (563830)



TD Four Pole Distribution Block, 100/125ALL  
TD-100-125ALL (563840)



Metric rigid stranded cable  
 Metric flexible stranded cable

			563800	563810	563820	563830	563840	Hole Ø		
⇒	10 - 35mm <sup>2</sup>	10 - 35mm <sup>2</sup>	x1	x1	x1	x1	x1	9,5mm		6 - 7 N.m
⇐	2,5 - 6mm <sup>2</sup>	1,5 - 6mm <sup>2</sup>	x5	x11	x5	x7	x11	5,5mm		2 - 3 N.m
⇐	10 - 25mm <sup>2</sup>	6 - 16mm <sup>2</sup>	x1	x3	x1	x3	x1	7,5mm		2 - 3 N.m
⇐	10 - 35mm <sup>2</sup>	10 - 25mm <sup>2</sup>	-	-	-	-	x2	8,5mm		2 - 3 N.m

Note :

1. Tighten screws of unused galleries to torque of 0,5 - 1 N.m

WARNING:

- nVent products shall be installed and used only as indicated in nVent product instruction sheets and training materials. Instruction sheets are available at [www.nVent.com](http://www.nVent.com) and from your nVent customer service representative.
- nVent products must never be used for a purpose other than the purpose for which they were designed or in a manner that exceeds specified load ratings.
- All instructions must be completely followed to ensure proper and safe installation and performance.
- Improper installation, misuse, misapplication or other failure to completely follow nVent's instructions and warnings may cause product malfunction, property damage, serious bodily injury and/or death, and void your warranty.

SAFETY INSTRUCTIONS:

All governing codes and regulations and those required by the job site must be observed.  
Always use appropriate safety equipment such as eye protection, hard hat, and gloves as appropriate to the application.

nVent, CADDY, ERICO CADWELD, ERICO CRITEC, ERICO, ERIFLEX, and LENTON are owned by nVent or its global affiliates. All other trademarks are the property of their respective owners. nVent reserves the right to change specifications without prior notice.