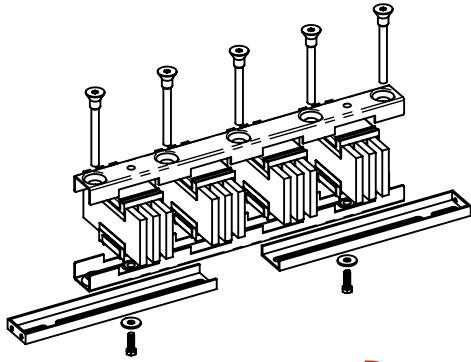


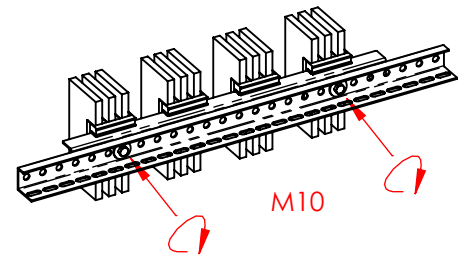
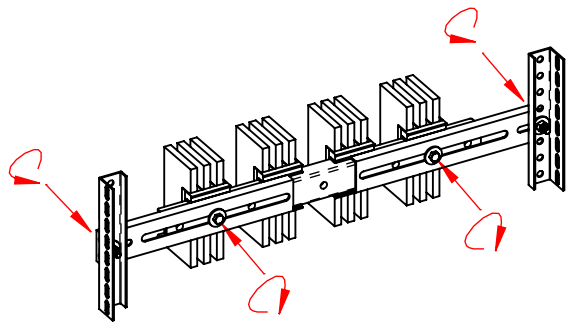
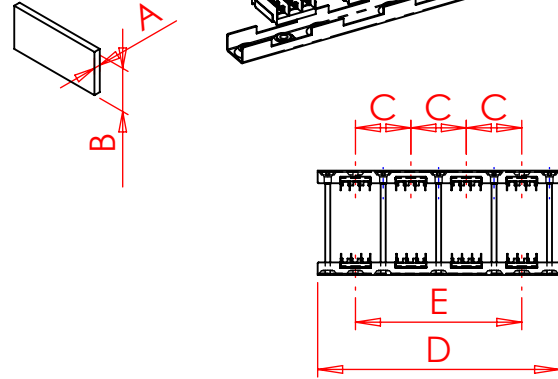
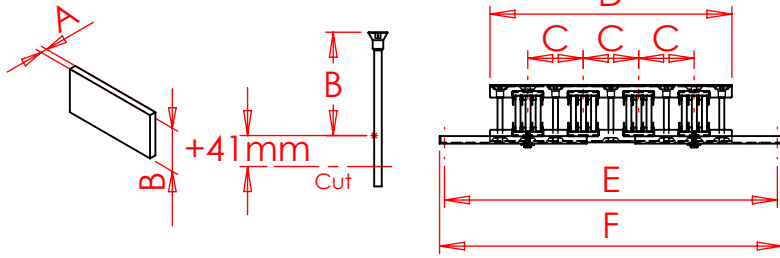
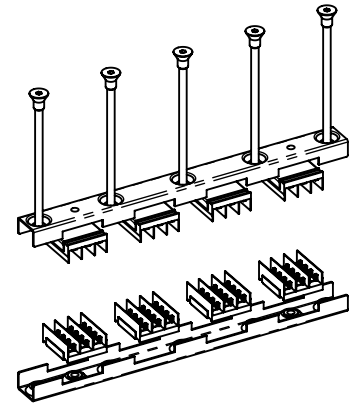
Universal Busbar Support UBS



A

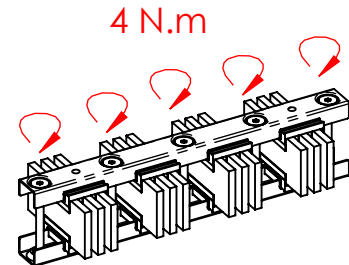
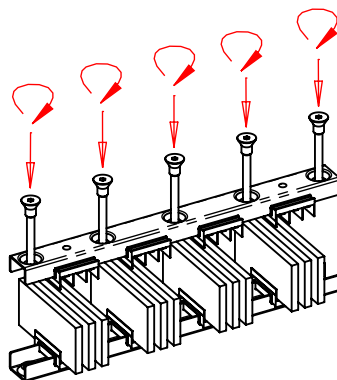
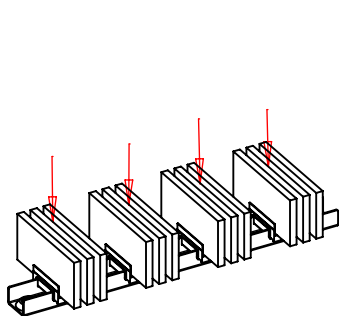


B



Description	Code	A (mm)	B (mm)	C (mm)	D (mm)	E (mm)	F (mm)
UBS1-5TN	551000	5	30 - 125	70	300	360 - 590	380 - 610
UBS4-5TN	551010	5	30 - 125	110	480	560 - 865	585 - 895
UBS4-5T	551020	5	30 - 125	110	307	350 - 550	375 - 575
UBS1-10TN	551060	10	30 - 120	70	300	360 - 590	380 - 610
UBS2-10TN	551070	10	30 - 120	110	480	560 - 865	585 - 895
UBS2-10T	551080	10	30 - 120	110	307	350 - 550	375 - 575
UBS3-10TN	551090	10	30 - 120	110	480	560 - 865	585 - 895

Description	Code	A (mm)	B (mm)	C (mm)	D (mm)	E (mm)
UBS1-10TN-160	561500	10	160	70	300	260
UBS2-10T-160	561520	10	160	110	307	220
UBS2-10TN-160	561870	10	160	110	480	330
UBS2-10TN-200	561880	10	200	110	480	330
UBS3-10TN-160	561540	10	160	110	480	330
UBS3-10TN-200	561550	10	200	110	480	330



WARNING:

- nVent products shall be installed and used only as indicated in nVent product instruction sheets and training materials. Instruction sheets are available at www.nVent.com and from your nVent customer service representative.
- nVent products must never be used for a purpose other than the purpose for which they were designed or in a manner that exceeds specified load ratings.
- All instructions must be completely followed to ensure proper and safe installation and performance.
- Improper installation, misuse, misapplication or other failure to completely follow nVent's instructions and warnings may cause product malfunction, property damage, serious bodily injury and/or death, and void your warranty.

SAFETY INSTRUCTIONS:

All governing codes and regulations and those required by the job site must be observed. Always use appropriate safety equipment such as eye protection, hard hat, and gloves as appropriate to the application.

nVent, nVent CADDY, nVent ERICO Cadweld, nVent ERICO Critec, nVent ERICO, nVent ERIFLEX, and nVent LENTON are owned by nVent or its global affiliates. All other trademarks are the property of their respective owners. nVent reserves the right to change specifications without prior notice.

TECHNICAL SUPPORT
www.nVent.com

IP8452_A

1 OF 1

© 2018-2019 nVent All Rights Reserved

