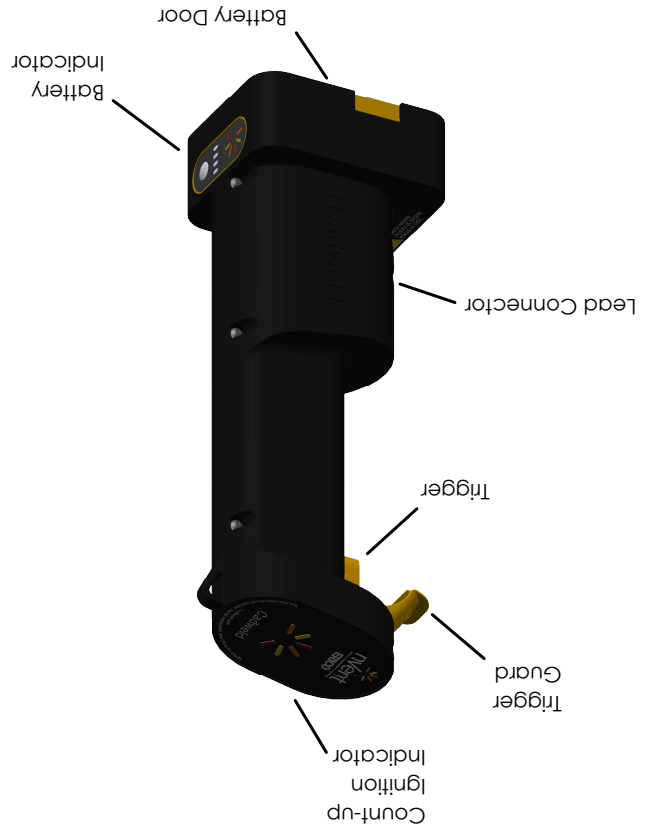




Cadweld Plus Cup Connector



Battery Door

Battery Indicator

Lead Connector

Trigger

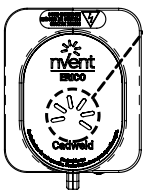
Guard Trigger

Count-up Ignition Indicator

For use with model numbers:
 PLUSCU2L6
 PLUSCU2L15
 PLUSCU2L6NB
 PLUSCU2L6
 PPLUSCU2L15
 PPLUSCU2L6
 PLUSCU2RLD6
 PLUSCU2RLD15

nVent ERICO Cadweld Plus Control Unit Quickstart Guide

Troubleshooting Guide



Indicator lights are flashing:

The PlusCU uses an internal charging mechanism that sends an electric current to the Cadweld Plus cup. If the trigger on the control unit is pulled before the internal charging mechanism resets, the lights will flash. Wait 5 seconds and try again.

If the error message persists, contact your nVent ERICO representative.

PlusCU does not respond when trigger is pulled:

If the unit does not respond, check battery status to determine if new batteries are needed.

Cadweld Plus cup does not ignite:

Disconnect the PlusCU lead from the PlusCU then re-examine your mold, weldmetal cup, ignition strip, and other Cadweld equipment to verify proper setup.

If this issue persists, contact your nVent ERICO representative.

PlusCU does not function properly at temperatures below 0° F [-18°C]:

Alkaline batteries are not intended for extreme cold temperatures. nVent ERICO recommends the use of lithium-ion batteries at temperatures below 0° F [-18°C].

WARNING:

1. nVent products shall be installed and used only as indicated in nVent product instruction sheets and training materials. Instruction sheets are available at www.nVent.com and from your nVent customer service representative.
2. nVent products must never be used for a purpose other than the purpose for which they were designed or in a manner that exceeds specified load ratings.
3. All instructions must be **completely** followed to ensure proper and safe installation and performance.
4. Improper installation, misuse, misapplication or other failure to completely follow nVent's instructions and warnings may cause product malfunction, property damage, serious bodily injury and/or death, and void your warranty.

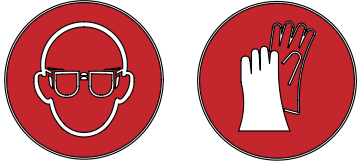
SAFETY INSTRUCTIONS:

All governing codes and regulations and those required by the job site must be observed. Always use appropriate safety equipment such as eye protection, hard hat, and gloves as appropriate to the application.

nVent, nVent CADDY, nVent ERICO Cadweld, nVent ERICO Critec, nVent ERICO, nVent ERIFLEX, and nVent LENTON are owned by nVent or its global affiliates. All other trademarks are the property of their respective owners. nVent reserves the right to change specifications without prior notice.

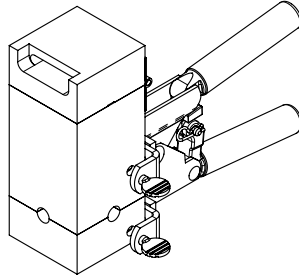
nVent ERICO Cadweld Plus Control Unit Quickstart Guide

1



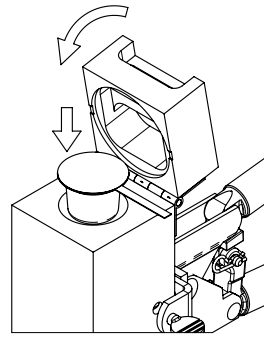
Always wear protective eyewear and heat resistant gloves.

2

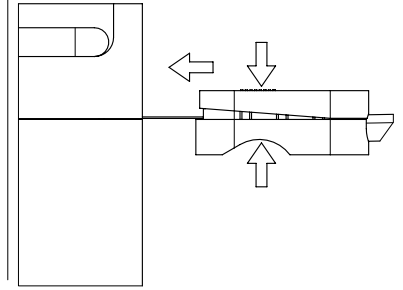


Follow MOLD instructions. Always clean & dry mold.

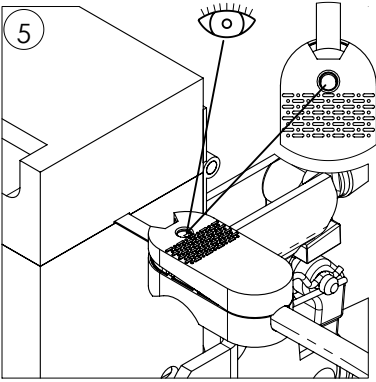
3



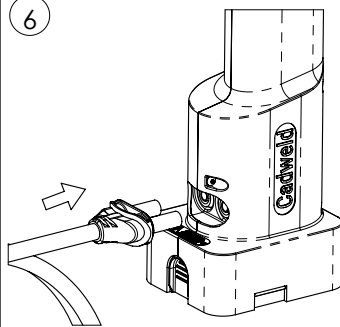
4



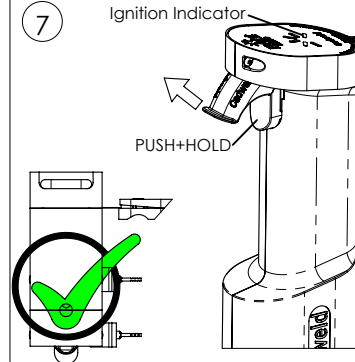
5



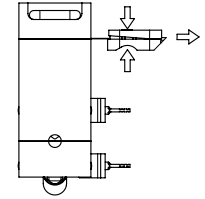
6



7



8



DO NOT pull or jerk PlusCU Leads away from Cadweld Plus cup.



High voltage electrical shock hazard. Keep hands and body clear of the cord (leads) while operating. Failure to do so can result in death or serious injury.

Safety First!

Personal Safety

When working with nVent ERICO Cadweld Plus, always use appropriate safety equipment such as eye protection, heat-resistant gloves, and other PPE as appropriate to the application and required by local safety codes.

Avoid contact with hot materials. Maintain safe working distance and secure footing while welding or working with hot materials.

Welding material is a mixture of oxides and metal which react to produce hot molten material with temperatures in excess of 1400° C [2500° F] and a localized release of smoke. These reactions are not explosive and not known to be toxic. Ignition temperatures of welding material are in excess of 900° C [1650° F] and will not ignite under ambient conditions.

For reduced or eliminated smoke options, contact nVent ERICO.

Follow Best Practices

Only use nVent ERICO Cadweld Plus when properly trained according to nVent ERICO procedures. This product and associated materials are for use only with Cadweld Plus Connections.

DO NOT handle welding material while connected to the PlusCU Leads AND the Leads are connected to the PlusCU. Do not connect Cadweld Plus cup until ready to make a connection.

All instructions must be completely followed to ensure proper and safe installation and performance. Follow instruction sheets for the Cadweld mold to ensure each connection is made safely and ensure connection quality.

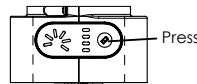
Work Site

Protect or remove fire hazards in the work area near connections. Use in a well-ventilated area.

Alert nearby personnel of welding activities.

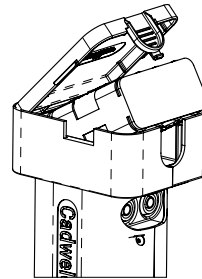
All governing codes and regulations and those required by the work site must be observed.

Maintenance



Check Battery

Press battery button to check battery level. Replace if too low. Charge and discharge time will increase with low battery.



Battery Replacement

Invert unit to prevent batteries falling during replacement.

Remove battery door by pushing tab on the front of the device.

Lift battery holder from inside unit and replace all eight (8) batteries. Do not mix old batteries and/or battery brands.

Reinsert the battery holder. Ensure battery holder contacts align to contacts inside the device.

Close and latch battery door.

Use only Duracell or Energizer AA batteries. Device accepts both alkaline and lithium-ion battery cells.

Properly Functioning Equipment

Always check molds and equipment for damage prior to use. Heavily worn or damaged molds must be discarded. Damaged equipment must be replaced.

Do not alter PlusCU, PlusCU Leads, or any other Cadweld tools or equipment. Do not alter or open Cadweld Plus cups. Take care not to pull or move the ignitor strip within the cup.

Storage

Store PlusCU and PlusCU Leads in a container or toolbox suitable to protect them from moisture and accidental damage. Do not expose PlusCU and PlusCU Leads to excessive moisture, continuous rain, or submersion in water.

nVent, nVent CADDY, nVent ERICO Cadweld, nVent ERICO Critec, nVent ERICO, nVent ERIFLEX, and nVent LENTON are owned by nVent or its global affiliates. All other trademarks are the property of their respective owners. nVent reserves the right to change specifications without prior notice.

TECHNICAL SUPPORT
www.nVent.com

IP8501_A

2 of 2

© 2019 nVent All Rights Reserved

