

SES160FFP

FLUSH PLATE ASSEMBLY FOR SES160F SPD

PREPARATION

⚠ DANGER

DANGER: Electrical shock or burn hazard. Installation of Surge Protective Devices, SPD, should be made by qualified personnel. Failure to lockout electrical power during installation or maintenance can result in fatal electrocution or severe burns.

These installation instructions apply specifically for the Flush Mount installation of the SES160F range of Surge Protectors. These instructions are to be used in conjunction with the installation instructions for the SES160F product.

To simplify installation it is recommended to use a short (<6") flexible conduit to connect the SPD nipple to the electrical panel. The SPD is then mechanically fixed by connecting the SPD to the Flush Cover plate, which is in turn fixed to the drywall.

This kit includes:

- 1 x Flush Cover plate
- 1 x Flush Cover strap
- 2 x Securing nuts
- Instructions

Quick Installation:

1. Disconnect and lockout electrical power to the electrical panel (load center / panel board / circuit breaker box) where the SES160F and Flush Cover plate is to be installed. Follow all applicable electrical codes and procedures.
2. Mark and cut out section of drywall allowing approximately 1/2" clearance around the SES160F enclosure. (See Figure 1)
3. Align the Flush Cover plate with drywall opening, mark locations of drywall anchors (not included) and install anchors per manufacturer's instructions. (See Figure 2)
4. Insert the Flush Cover strap into the drywall cut out.
5. Insert the SES160F unit and connect flexible conduit to electrical panel.
6. Attach the Flush Cover plate to the Flush Cover strap with the Securing nuts. (See Figure 3)
7. Secure the Flush Cover plate to the drywall using the drywall anchors.
8. Complete electrical SPD connection as per the SPD instructions.

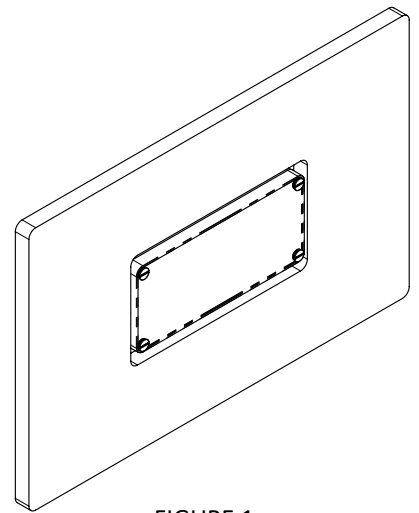


FIGURE 1

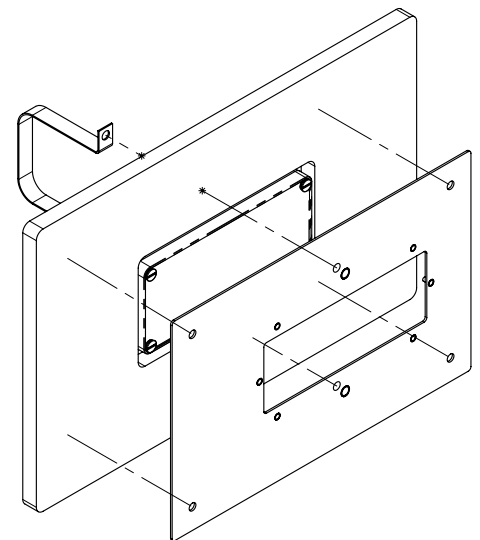


FIGURE 2

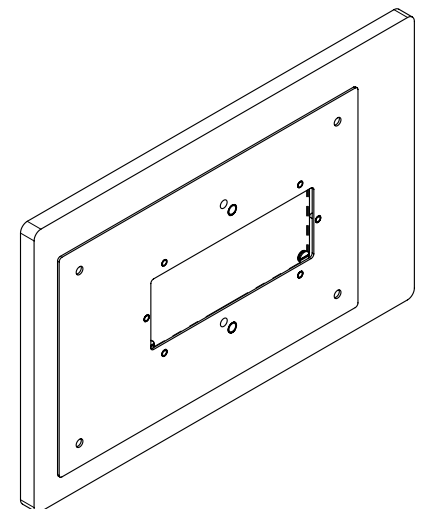


FIGURE 3

WARNING:

1. nVent products shall be installed and used only as indicated in nVent product instruction sheets and training materials. Instruction sheets are available at www.nVent.com and from your nVent customer service representative.
2. nVent products must never be used for a purpose other than the purpose for which they were designed or in a manner that exceeds specified load ratings.
3. All instructions must be completely followed to ensure proper and safe installation and performance.
4. Improper installation, misuse, misapplication or other failure to completely follow nVent's instructions and warnings may cause product malfunction, property damage, serious bodily injury and/or death, and void your warranty.

SAFETY INSTRUCTIONS:

All governing codes and regulations and those required by the job site must be observed. Always use appropriate safety equipment such as eye protection, hard hat, and gloves as appropriate to the application.

nVent, nVent CADDY, nVent ERICO Cadweld, nVent ERICO Critec, nVent ERICO, nVent ERIFLEX, and nVent LENTON are owned by nVent or its global affiliates. All other trademarks are the property of their respective owners. nVent reserves the right to change specifications without prior notice.