

nVent CADDY Rod Lock Bottom-Mount Duct Bracket



FEATURES GUIDE

SAFETY FEATURES

Eliminates the potentially dangerous activity of cutting strut and deburring threaded rods

Captive hardware reduces the likelihood of dropped parts and make height adjustments easier

Lock nut allows the nVent CADDY Rod Lock "push-to-install" mechanism to be disengaged after installation

Includes four self-tapping screws with rubber washer allowing the bracket to be securely fastened to the rectangular duct and reducing air leaks by making a tight seal

The color of the line corresponds to the larger goal of each feature:

SAFETY FEATURES

FASTER INSTALL FEATURES

STRENGTH FEATURES

FASTER INSTALL FEATURES

Slotted hole in bracket allow for quick horizontal adjustment of the bracket relative to the duct

Prefabricated assemblies easily lift and lock into place with Rod Lock hardware, helping save time and money

Several holes and slots to give the end-users more flexibility on where to use the self tapping screws

Attaches directly to duct, replacing the need to cut strut for installing duct on threaded rod

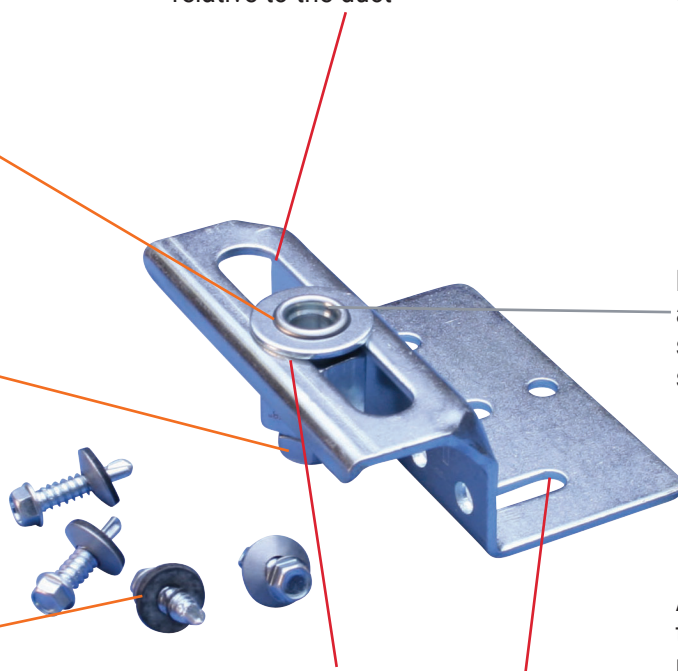
Works with slightly damaged threads and minor burrs on the threaded rod

STRENGTH FEATURES

0.118" (3mm) thick steel bracket allows this solution to be used with up to 50" (1.27m) wide rectangular duct

Rod Lock hardware is available in 3/8" (M8 and M10) size to provide the required strength to support the load

Acceptable alternative to the duct hanger systems prescribed in the ANSI/SMACNA HVAC Duct Construction Standards (HVAC-DCS)



Our powerful portfolio of brands:

CADDY ERICO HOFFMAN RAYCHEM SCHROFF TRACER

WARNING

nVent products shall be installed and used only as indicated in nVent's product instruction sheets and training materials. Instruction sheets are available at nVent.com/CADDY and from your nVent customer service representative. Improper installation, misuse, misapplication or other failure to completely follow nVent's instructions and warnings may cause product malfunction, property damage, serious bodily injury and/or death, and void your warranty.

©2018 nVent. All nVent marks and logos are owned or licensed by nVent Services GmbH or its affiliates. All other trademarks are the property of their respective owners. nVent reserves the right to change specifications without notice.

CADDY-WPCS-M1336WWWEN-RodLockBottom-MountDuctBracket-WWEN-1805