



**CONNECT AND PROTECT**

# Hydraulic & Manual Tools

Flexible Busbar and Copper Busbar Manipulation and Transformation Solutions

  
nvent

**ERIFLEX**



## TABLE OF CONTENTS

### HYDRAULIC TOOLS

Hydraulic Busbar & nVent ERIFLEX Flexibar Work Center .....	04
Hydraulic Busbar & nVent ERIFLEX Flexibar Puncher .....	08
Hydraulic Busbar & nVent ERIFLEX Flexibar Puncher Accesories .....	09
Crimping Tool for Hydraulic Puncher.....	10
Hydraulic Busbar & nVent ERIFLEX Flexibar Bender .....	11
Hydraulic Busbar Cutter.....	12
Hydraulic nVent ERIFLEX Flexibar Shearing Tool.....	13

### MANUAL TOOLS

Manual nVent ERIFLEX Flexibar Work Center .....	14
nVent ERIFLEX Flexibar Folding Tool MFF .....	17
nVent ERIFLEX Flexibar Bending Tool HFBT .....	20
nVent ERIFLEX Flexibar Shearing Tool, Bending Tool, Twisting Tool.....	22
nVent ERIFLEX Flexibar Drilling Tool, Tripping Tool, Stripping Knife .....	23
nVent ERIFLEX Flexibar Punching Tool & Accessories.....	24
nVent ERIFLEX Flexibar Small Bending & Folding Tool, Braid & Crimp .....	25
Din Profiles Cutting & Punching Tool.....	26
Cross Reference .....	27

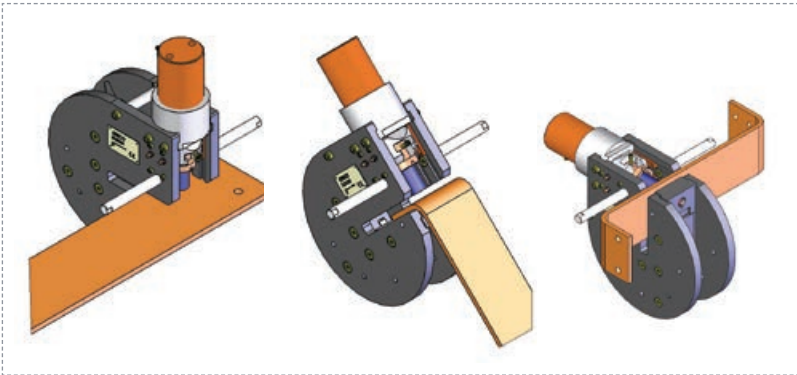
# Hydraulic Busbar & nVent ERIFLEX Flexibar Work Center



Hydraulic Busbar Cutter



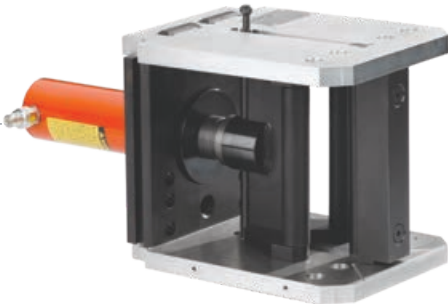
Hydraulic Busbar & Flexibar Puncher



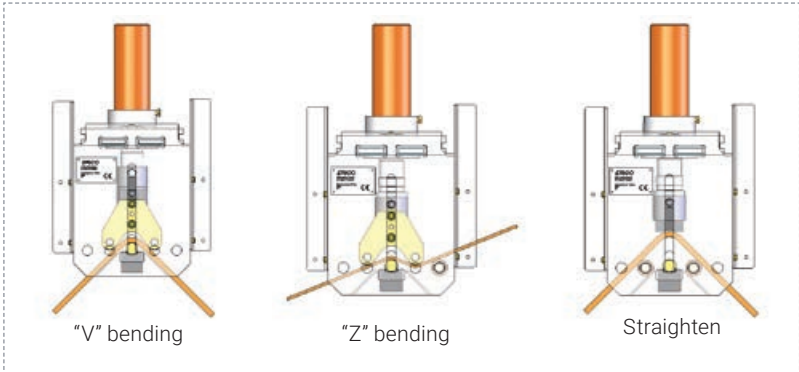
4-Ways Directional Valve



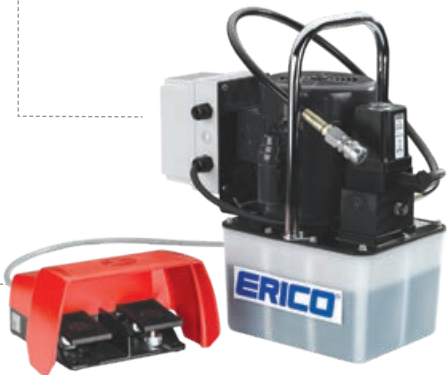
**Programmable Angle Controller**



**Hydraulic Busbar Bender**



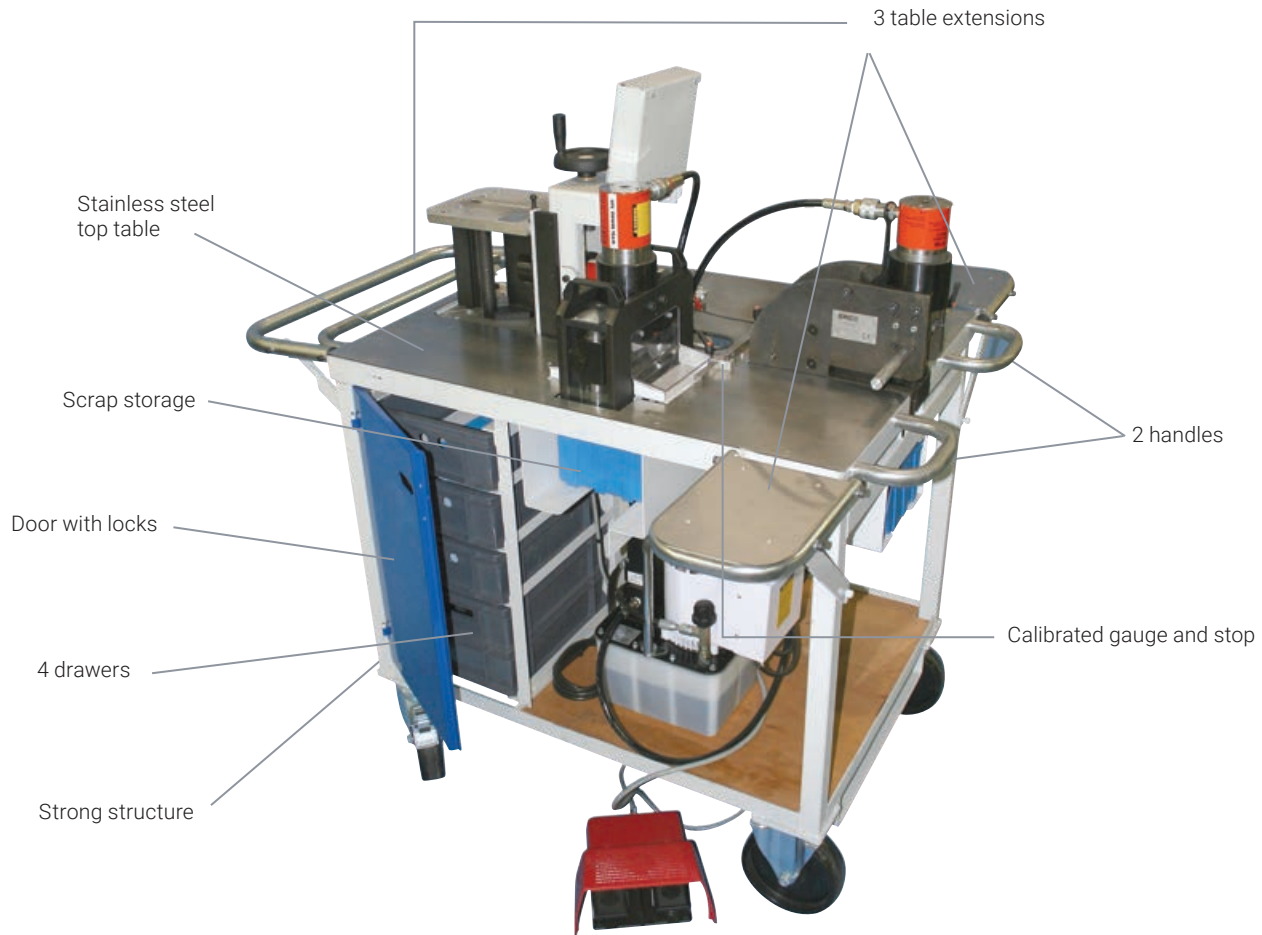
**Hydraulic Pump & Foot Controller**



**Flexibar Shearing Tool\***

\*Not including in the European Workcenter

# Hydraulic Busbar & nVent ERIFLEX Flexibar Work Center

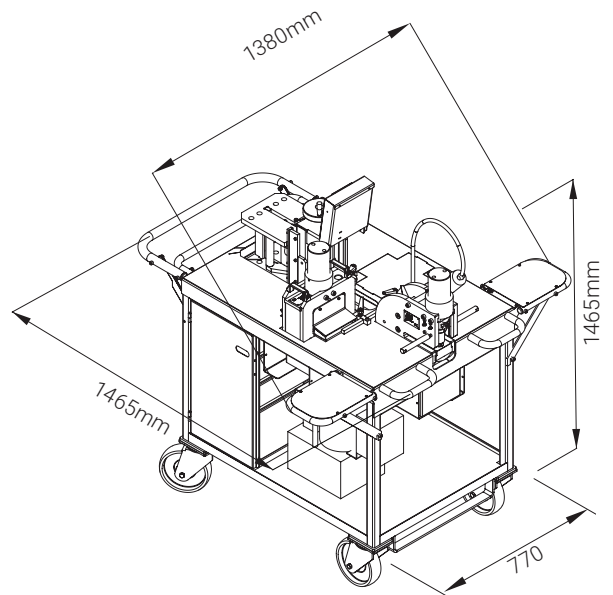
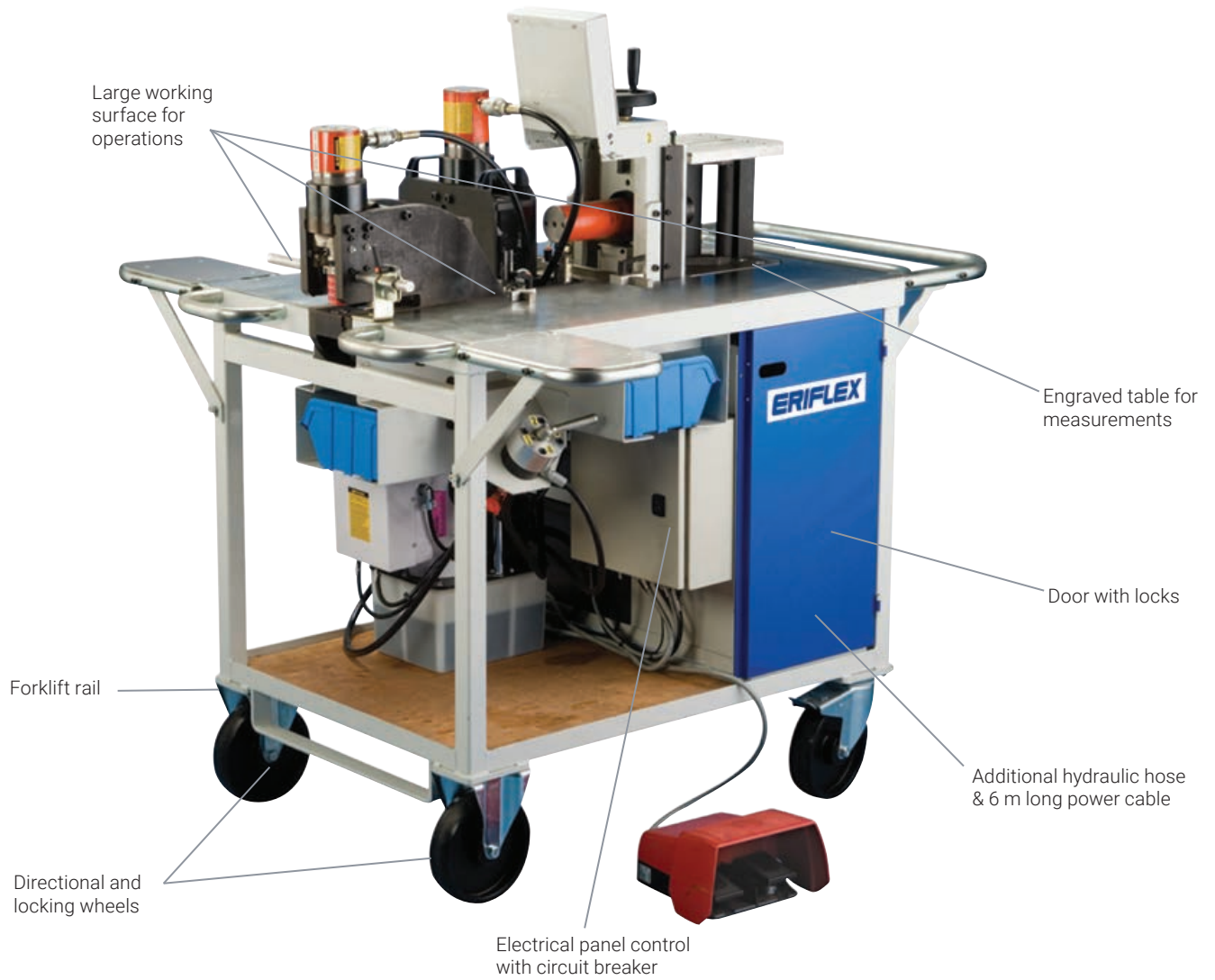




## HYDRAULIC BUSBAR & FLEXIBAR WORK CENTER

- Mobile workbench including machines for Cutting, Bending and Punching Copper Busbars or Flexibar
- This set is composed of:
  - Hydraulic Punch for Solid Bar & Flexibar (Punches and dies not included)
  - Hydraulic Busbar & Flexibar Bender 200 x 12,7 mm (8" x 1/2") with lift to adjust the machine level
  - Hydraulic Busbar Cutter 125 x 12,7 mm (5" x 1/2")
  - Hydraulic Pump 700 Bars & Foot Controller
  - Machine selector: 4-way directional valve to select the required machine
  - 2 Ejection Stop (without punch & die set)
  - Programmable Angle Controller
  - Protected by Circuit Breaker
  - 4 Drawers to put away accessories
  - Power cable 6 m long
- One hydraulic hose, free to connect additional tools (Flexibar Shearing tool or other)

**EVERY TOOL CAN BE PURCHASED SEPARATELY - SEE PAGE 8-13**





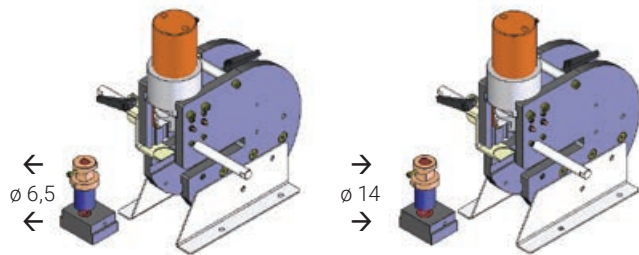
Article N°	Description		
545650	Hydraulic Busbar & Flexibar Work Center - 230V (Flexibar Shearing Tool not included)	1	356 kg
545720	Hydraulic Busbar & Flexibar Work Center - 115V (Flexibar Shearing Tool included)	1	857 lbs

# Hydraulic Busbar & nVent ERIFLEX Flexibar Puncher

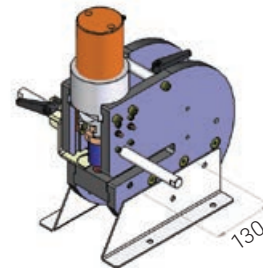


- Copper or Aluminium Busbar & Flexibar
- Maximum Capacity
  - Throat depth: 130 mm (5")
  - Maximum thickness of bar: 12,7 mm (1/2")
- Maximum working hydraulic pressure: 700 bars (10,000 PSI)
- Strong mechanical construction
- Quick set up punches & dies system
- Flat and clean hole edge
- Punch pip to adjust the hole position
- Calibrated side and depth gauge and stop
- Large range of punches and dies available from 6,5 to 20 mm (5/16 - 8/16") + oval
- Working position: Horizontal, 45°, 90° (when installed on the Work Center)

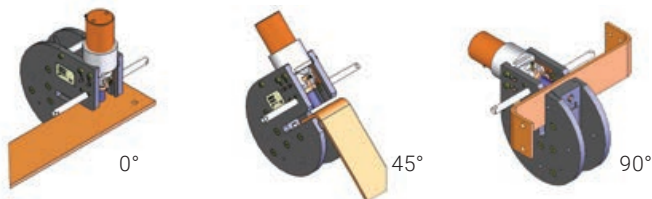
## 1. QUICK SET-UP – NO TOOL REQUIRED



## 2. MAXIMUM CAPACITY THROAT DEPTH: 130 MM



## 3. THREE POSITIONS



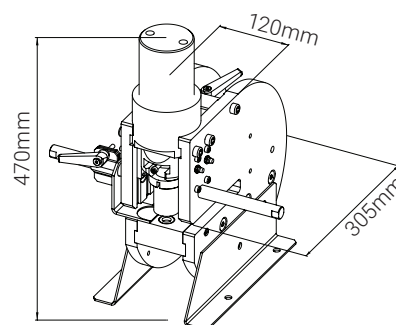
90° available on work center only. If Puncher is purchased separately, only two positions available: 0° and 45°

## 4. ROUND & OVAL HOLES



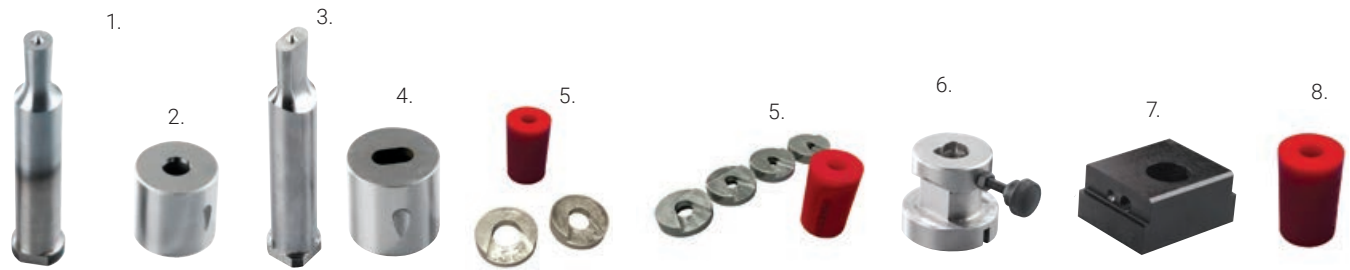
## PUNCHING MACHINE

Article No	Description		
545680	Puncher	1	54.00 kg





# Hydraulic Busbar & nVent ERIFLEX Flexibar Puncher Accesories



## METRIC SIZES ROUND HOLES

Article N°	Punch (fig. 1)			Article N°	Die (fig. 2)			Article N°	Ejection Stop (fig. 5)		
545800	6,5 mm	1	0.13 kg	545801	6,5 mm	1	0.19 kg	545893	6,5-9-11-14	1	0.550 kg
545805	9 mm	1	0.14 kg	545806	9 mm	1	0.18 kg	545893	6,5-9-11-14	1	0.550 kg
545810	11 mm	1	0.14 kg	545811	11 mm	1	0.17 kg	545893	6,5-9-11-14	1	0.550 kg
545815	14 mm	1	0.16 kg	545816	14 mm	1	0.16 kg	545893	6,5-9-11-14	1	0.550 kg
545820	18 mm	1	0.24 kg	545821	18 mm	1	0.13 kg	545894	18-20	1	0.280 kg
545825	20 mm	1	0.25 kg	545826	20 mm	1	0.11 kg	545894	18-20	1	0.280 kg

## METRIC OVAL HOLES (PUNCHES AND DIES FOR IMPERIAL OVAL HOLES AND SLOTS AVAILABLE ON REQUEST)

Article N°	Punch (fig. 3)			Article N°	Die (fig. 4)			Article N°	Ejection Stop (fig. 5)		
545850	6,5x13 mm	1	0.14 kg	545851	6,5x13 mm	1	0.15 kg	545893	6,5-9-11-14	1	0.550 kg
545855	9x18 mm	1	0.22 kg	545856	9x18 mm	1	0.12 kg	545894	18-20	1	0.280 kg
545860	11x20 mm	1	0.24 kg	545861	11x20 mm	1	0.1 kg	545894	18-20	1	0.280 kg
545865	14x20 mm	1	0.24 kg	545866	14x20 mm	1	0.1 kg	545894	18-20	1	0.280 kg

## IMPERIAL SIZES ROUND HOLES

Article N°	Punch (fig. 1)			Article N°	Die (fig. 2)			Article N°	Ejection Stop (fig. 5)		
545950	5/16" Punch - 1/4" Bolt	1	0.13 kg	545951	5/16" Die - 1/4" Bolt	1	0.19 kg	545893	6,5-9-11-14	1	0.550 kg
545955	3/8" Punch - 5/16" Bolt	1	0.14 kg	545956	3/8" Die - 5/16" Bolt	1	0.18 kg	545893	6,5-9-11-14	1	0.550 kg
545960	17/32" Punch - 7/16" Bolt	1	0.16 kg	545961	17/32" Die - 7/16" Bolt	1	0.16 kg	545893	6,5-9-11-14	1	0.550 kg
545965	9/16" Punch - 1/2" Bolt	1	0.16 kg	545966	9/16" Die - 1/2" Bolt	1	0.16 kg	545893	6,5-9-11-14	1	0.550 kg

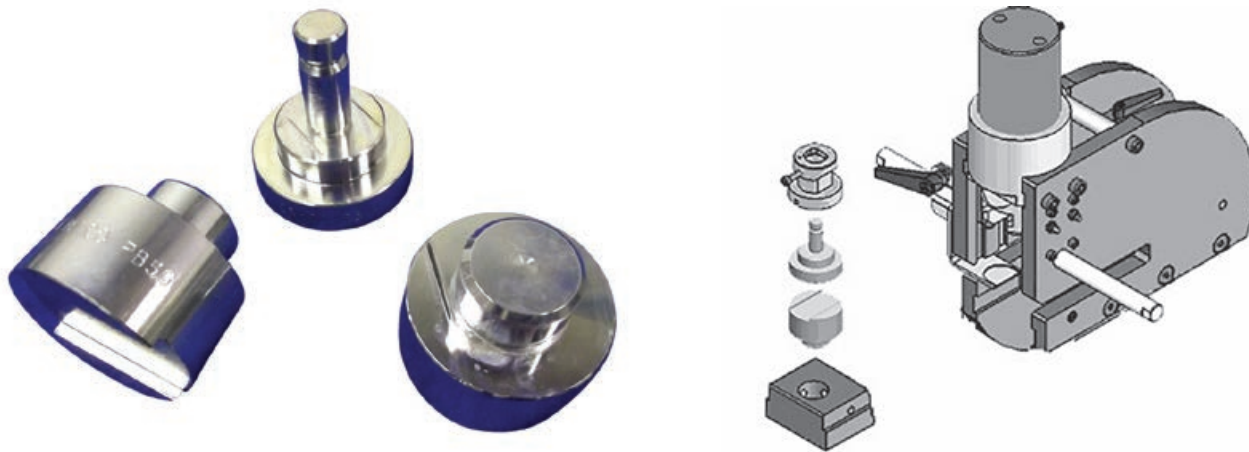
## REPLACEMENT EJECTION STOP

Article N°	Description (fig. 8)		
545895	Ejection stop 6.5-9-11-14	1	0.66 kg
545896	Ejection stop 18-20	1	0.058 kg

## SPARE PARTS

Article No	Description		
545900	Punch Holder 6,5-9-11-14 (fig. 6)	1	0.55 kg
545905	Punch Holder 18-20 (fig. 6)	1	0.48 kg
545910	Die Holder (fig. 7)	1	1.60 kg

# Crimping Tool for Hydraulic Puncher



This package allows to crimp lugs PB16, PB25, PB 50 on braids with hydraulic puncher, and allows to make your own grounding braid.

## FEATURES

- Crimps PB lugs on braids using the Hydraulic Flexibar and Busbar Puncher
- Crimps braids and lugs flat and to a consistent thickness
- Kit includes one punch and two dies to accommodate all PB lug sizes
- Quick and easy setup without tools
- RoHS compliant

## SPECIFICATIONS

<b>Part Number</b>	HTC3-4
<b>Article Number</b>	545980
<b>Material</b>	Steel
<b>Unit Weight</b>	1,85 kg
<b>Certifications</b>	EAC 8462399100 (Russian Federation) RoHS
<b>Standard Packaging Quantity</b>	1 pc
<b>UPC</b>	78285687540
<b>EAN-13</b>	3479775459806

## BRAIDS AND LUGS TO USE



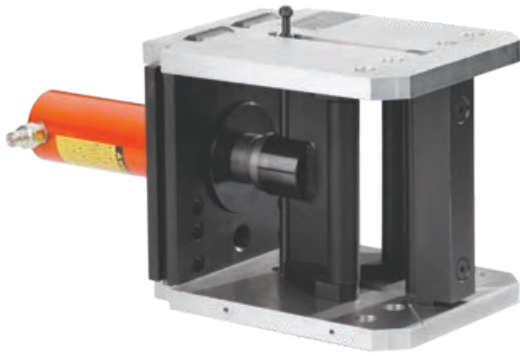
### BRAIDS

Article N°	Description	Section mm <sup>2</sup>	mm
557240	FTCB 15-16	16	15x1.5
557260	FTCB 15-25	25	23x1.5
557300	FTCB 15-50	50	28x3

### LUGS

Article No	Description	A mm	B mm	C mm
557180	PB 16	16	15	1
557190	PB 25	22	25	1
557380	PB 50	30	30	1

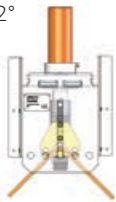
# Hydraulic Busbar & nVent ERIFLEX Flexibar Bender



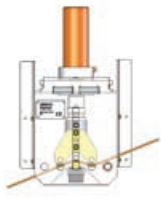
- Copper or Aluminium & Flexibar
- Maximum capacity copper cross section 2000 mm<sup>2</sup>
- Maximum bar width: 200 mm (8")
- Maximum bar thickness: 12,7 mm (1/2")
- Bending radius: 12,5 mm / 1/2"
- Adjustable angle up to 100°
- Bending accessories for copper or aluminium busbar & Flexibar
- +/-2° angle precision

## 1. ONE MACHINE / THREE FUNCTIONS: QUICK SET-UP

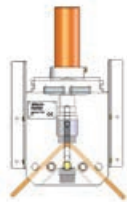
+/- 2°



"V" bending

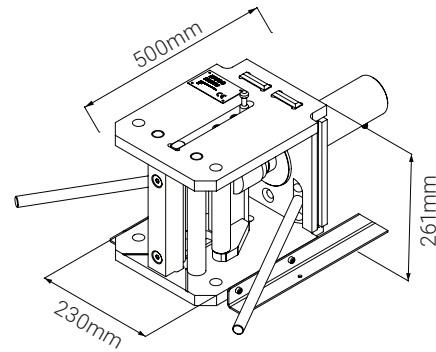


"Z" bending



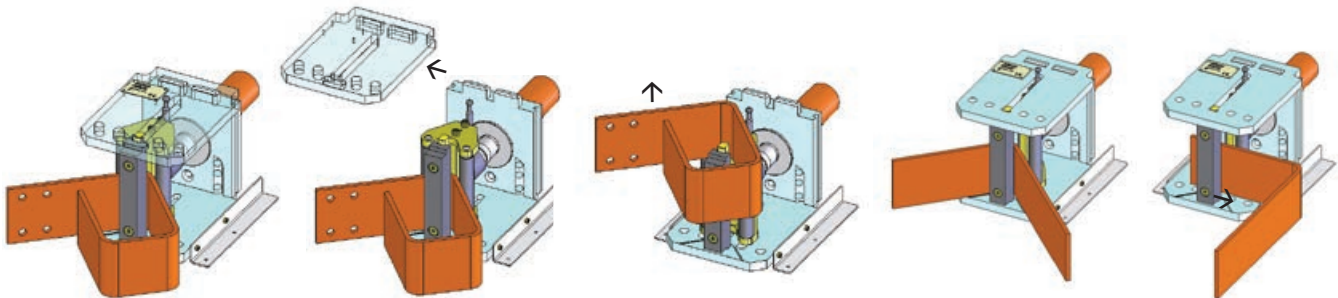
Straighten

Article N°	Description		
545670	Busbar bender	1	51 kg

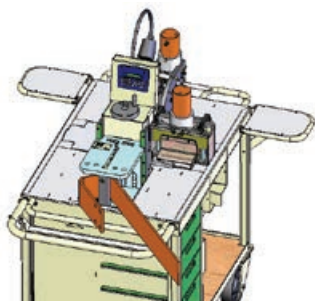


## 2. LARGE CAPACITY: 2000 MM<sup>2</sup> / 200 X 10 MM (8" X 3/8")

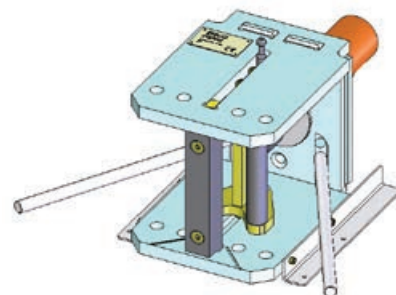
## 3. EASY ACCESS ALLOWING NUMEROUS BENDING POSSIBILITIES



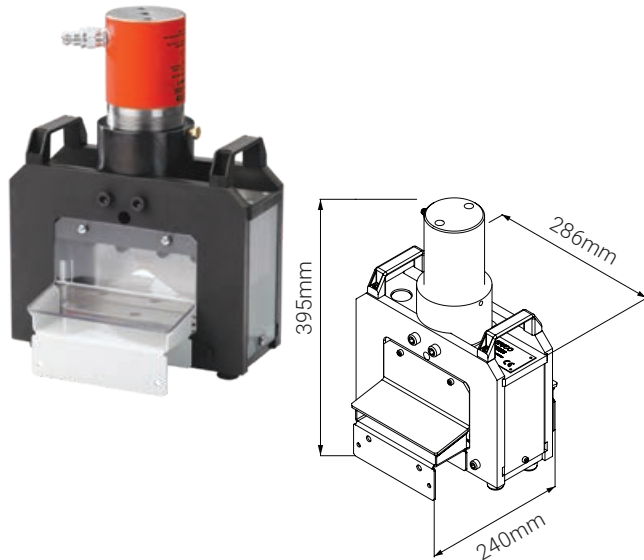
## 4. LARGE WORKING SURFACE FOR BENDING OPERATION



## 5. BAR SUPPORT (OUT OF THE WORK CENTER)



# Hydraulic Busbar Cutter



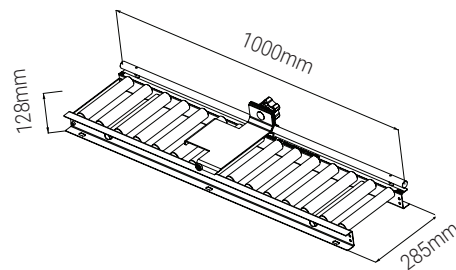
- Copper or Aluminium Busbar
- Maximum Capacity
- Maximum bar width: 125 mm (5")
- Maximum bar thickness: 12,7 mm (1/2")
- Blade 7 mm thick
- Strong mechanical construction: Guiding system 2 columns
- Flat and clean cut edge
- Visual inspection of cutting position
- Transparent finger protection
- Easy access for blade maintenance

Article N°	Description		
545690	Hydraulic Busbar Cutter	1	41 kg
545695	Hydraulic Busbar Cutter Blade	1	1 kg

# Tool Ruler



- In combination with hydraulic busbar cutter (545690) to support the solid bar
- Calibrated end stop (1 m)



Article N°	Description		
558990	Tool ruler HFST-R	1	10 kg

# Hydraulic Pump & Foot Controller



## HYDRAULIC PUMP

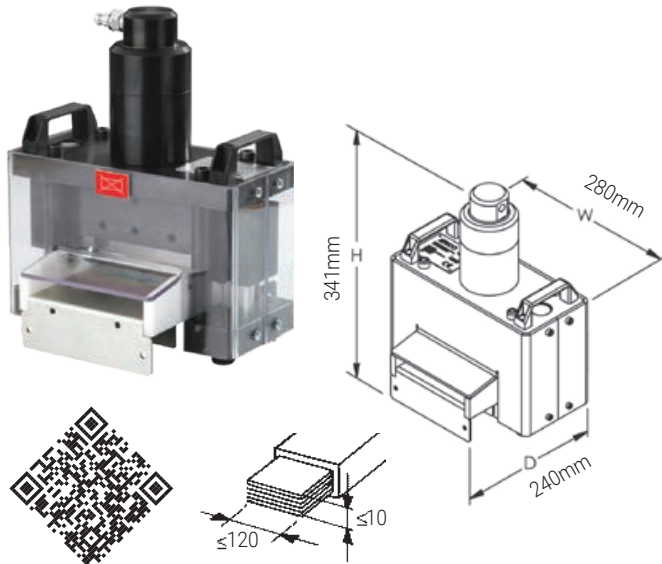
- One hose attached with quick release coupler
- Oil type (545706)
- Tank capacity from 1.9 up to 3.8 liter
- Oil flow 0,2 L per minute
- 700Bars/370Watts

## FOOT CONTROLLER

- 2 control pedals control
- 3 positions foot controller operation: off, on, safety off

Article N°	Description		
545700	Electro Hydraulic Pump 230 V + Foot Controller	1	40 kg
545701	Electro Hydraulic Pump 115 V + Foot Controller	1	40 kg
545706	Hydraulic oil 0,946 liter	1	1 kg

# Hydraulic nVent ERIFLEX Flexibar Shearing Tool

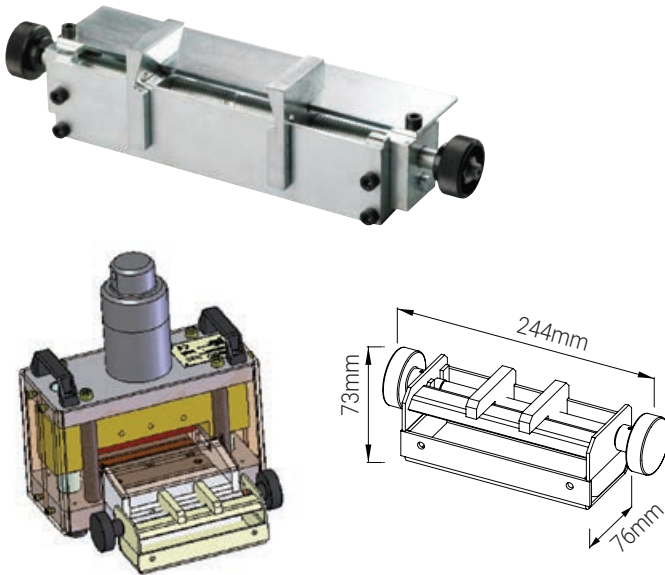


- Copper or Aluminium
- Strong mechanical construction
- Cuts quickly and accurately without burrs or deformation
- Visual inspection of cutting position
- Maximum Capacity Copper cross section 1200 mm<sup>2</sup>
- Width of bar: 120 mm (4-3/4")
- Thickness of bar: 12 mm (1/2")
- Flexibar 10 x 120 x 1 maximummaximum

**WARNING:** Cutting solid bars will damage the tool

Article N°	Description		
559010	Hydraulic shearing tool HFST	1	34 kg
559040	Tool blades HFST-C	1	1 kg

# nVent ERIFLEX Flexibar Shearing Tool Guide

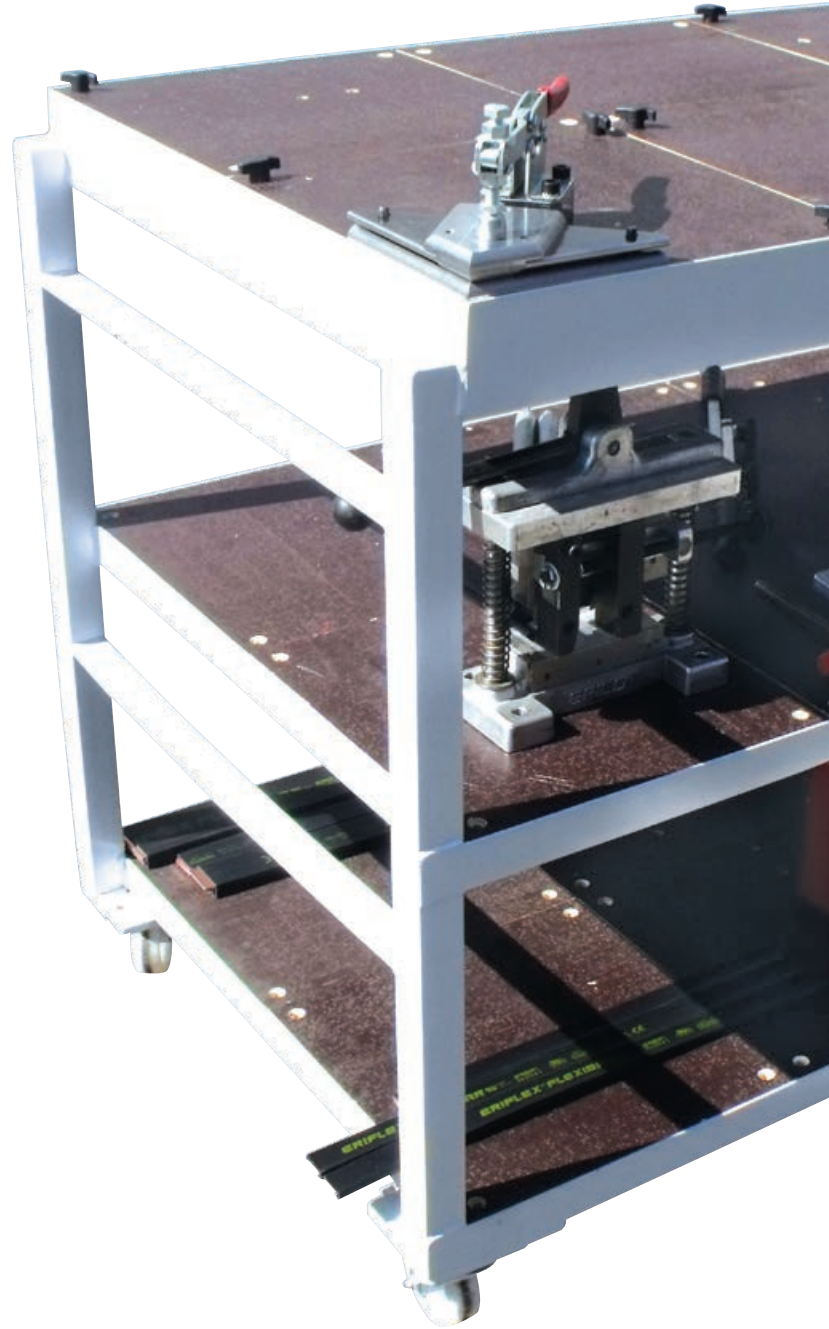


- Adjust the Flexibar position in the tool quick set up - No tool required
- Increases blade life expectancy

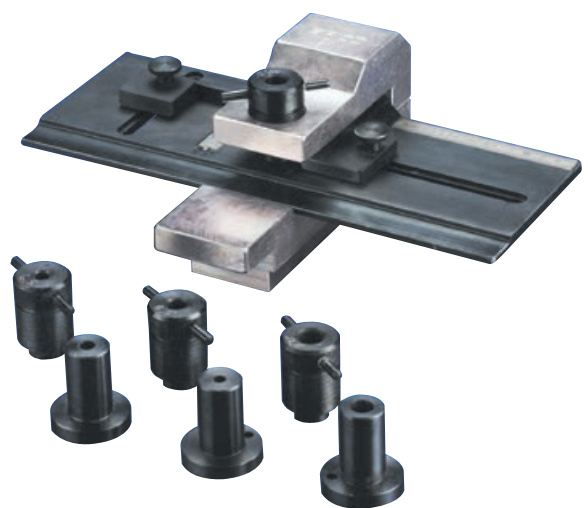
Article N°	Description		
559020	Tool Guide HFST-B	1	1 kg



# Manual nVent ERIFLEX Flexibar Work Center

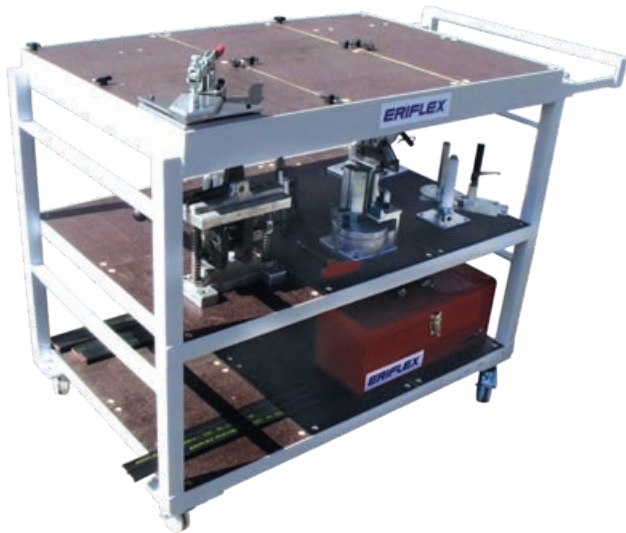






# Manual nVent ERIFLEX Flexibar Work Center (MFWC)

## MODULAR TABLE FOR FLEXIBAR MANUAL TOOLS

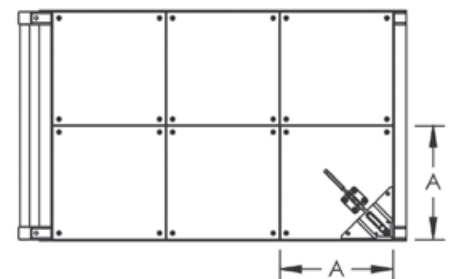
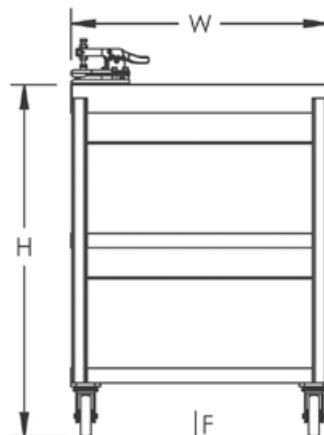
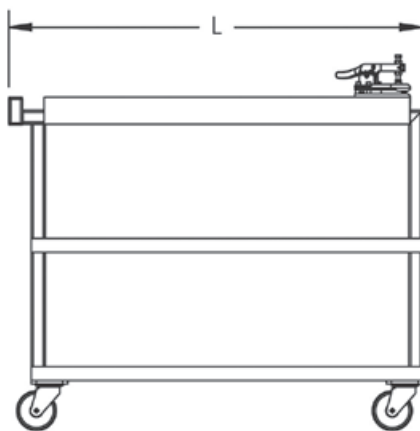


### FEATURES

- Modular table with large work surface and storage for manual Flexibar tools
- Tools can be fixed directly to interchangeable tiles, allowing tools to be quickly moved from one level to another
- Non-slip bakelite coated plywood tiles fix into place with wing knobs included
- Includes Flexibar Small Bending and Folding Tool
- Forklift rail, locking directional wheels and built-in handles provide easy mobility
- Built-in handle is extendable to accommodate long pieces of Flexibar

### SPECIFICATIONS

<b>Part Number</b>	MFWC
<b>Article Number</b>	558940
<b>Unit Weight</b>	95 kg
<b>Certifications</b>	RoHS
<b>Standard Packaging Quantity</b>	1 pc



# nVent ERIFLEX Flexibar Folding Tool MFF



- Flexibar folds up to 10x120x1/12x100x1
- Folds quickly without insulation damage
- Multiple bending shapes: L - U - Z
- Easy to produces many shapes and sizes
- Significantly reduces Flexibar scrap
- Limits heavy Flexibar handling
- Quick and easy tool set up
- Universal tool for workshop or jobsite
- For Flexibar only

Article N°	Description		
558930	Flexibar Folding Tool MFF	1	20 kg

## FLEXIBAR FOLDING PROCESS

Overall dimensions: L 600 x W 305 x H 305 mm

L Shape			Tool (s) to Use	
			558930	x1
Z Shape				
U Shape			Tool (s) to Use	
			558930	x1
			558931	x1

## FLEXIBAR LONG & LARGE QUANTITIES

L + Z Shape		Tool to Use	L	Z
		558930	x1	x2
		558932	x2	x1
		558933	x2	x1
L + U Shape		Tool (s) to Use	L	V
		558930	x1	x1
		558931		x1
		558932	x2	x2
		558933	x2	x2

# nVent ERIFLEX Flexibar Folding Tool



## FLEXIBAR FOLDING TOOL U-SHAPE - MFFU

- Accessory to the MFF tool
- Use with the MFF tool for U-shape folding



Overall dimensions: L 355 x W 305 x H 205 mm

Article N°	Description		
558931	Flexibar Folding Tool U-Shape MFFU	1	9 kg

## FLEXIBAR FOLDING TOOL FIXED VICE - MFFV

- Accessory to the MFF tool
- Supports long Flexibar
- Allows easy folding of long Flexibar

Overall dimensions: L 170 x W 125 x H 205 mm



Article N°	Description		
558932	Flexibar Folding Tool Fixed Vice MFFV	1	2,2 kg

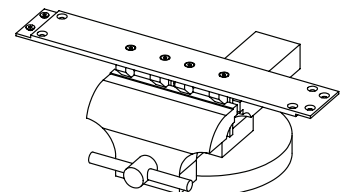
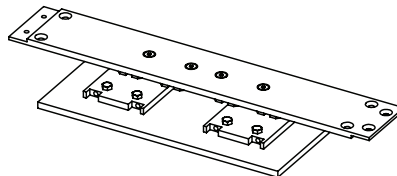
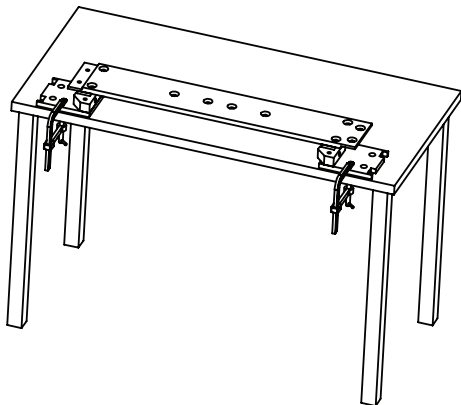


## FLEXIBAR FOLDING TOOL RAIL - MFFR

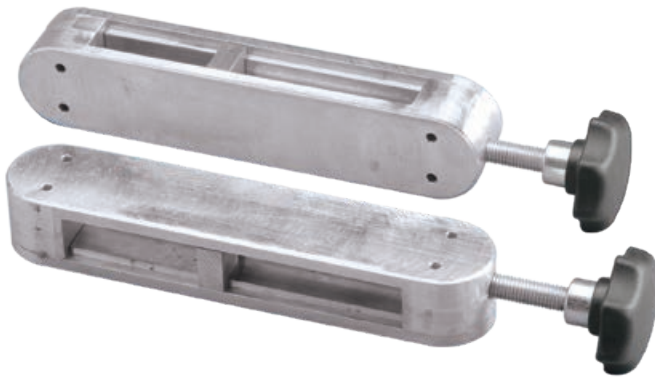
- Accessory to the MFF tool
- Assists with the assembly of the MFF and MFFU tools for long Flexibar
- Fix the folding tool to the workbench or vice

Overall dimensions: L 600 x W 100 x H 120 mm

Article N°	Description		
558933	Flexibar Folding Tool Rail MFFR	1	6,4 kg

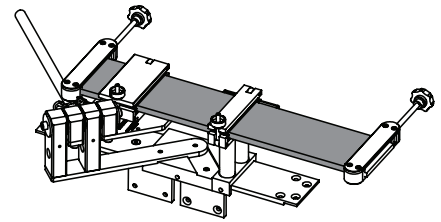
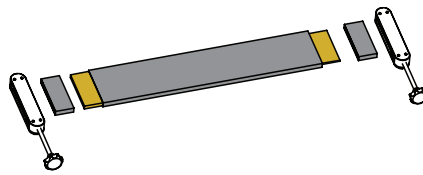
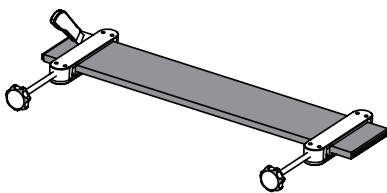


# nVent ERIFLEX Flexibar Folding Tool



## FLEXIBAR FOLDING TOOL CLAMP - MFFC

- Accessory to the MFF tool
- Prevents any Flexibar laminates from sliding during the folding operation
- Allows for quality palms on Flexibar ends
- Helps with insulation stripping on large Flexibar sizes



Overall dimensions: L 240 x W 50 x H 50 mm

Article N°	Description	Flexibar		
558934	Flexibar Folding Tool Clamp 63 MFFC	20 -> 63	2	0,45 kg
558935	Flexibar Folding Tool Clamp 120 MFFC	20 -> 120	2	0,535 kg







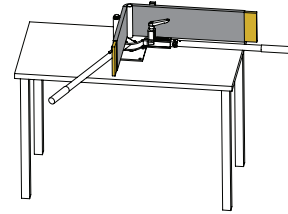
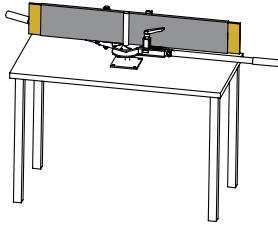
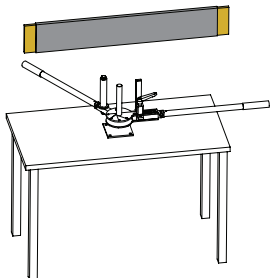
# nVent ERIFLEX Flexibar Bending Tool HFBT



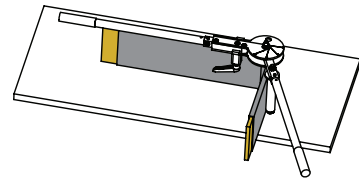
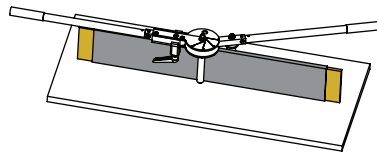
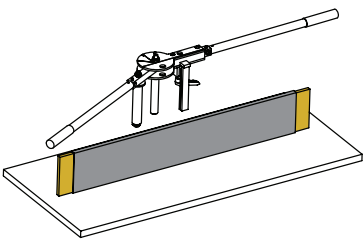
- Flexibar bends up to 10x120x1/12x100x1
- Bends quickly without insulation damage
- Limits heavy Flexibar handling
- Universal tool for workshops or jobsites
- Angle adjustment up to 180°
- Bending radius: 10 mm
- Compact tool in steel case

Article N°	Description		
558920	Flexibar Bending Tool	1	7 kg

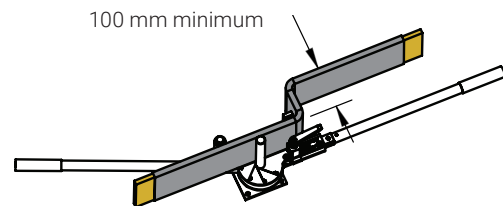
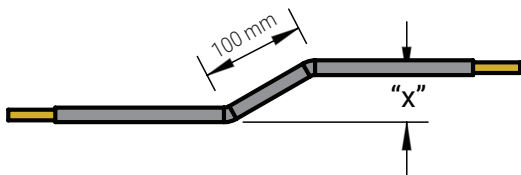
## On Workbench



## On Jobsite



## Tool Capability





# nVent ERIFLEX Flexibar Manual Tools

## A COMPLETE RANGE OF USEFUL HAND TOOLS FOR FLEXIBAR, BRAIDS AND DIN PROFILES

Cutting, bending, drilling, twisting: nVent ERIFLEX offers a complete manual tool range.



**TWISTING TOOL**



**STRIPPING TOOL**



**SHEARING TOOL**



**BENDING TOOL**

**EVERY TOOL CAN BE PURCHASED SEPARATELY**

## FLEXIBAR WORKBENCH

**A COMPLETE SET OF USEFUL HAND TOOLS FOR FLEXIBAR.**

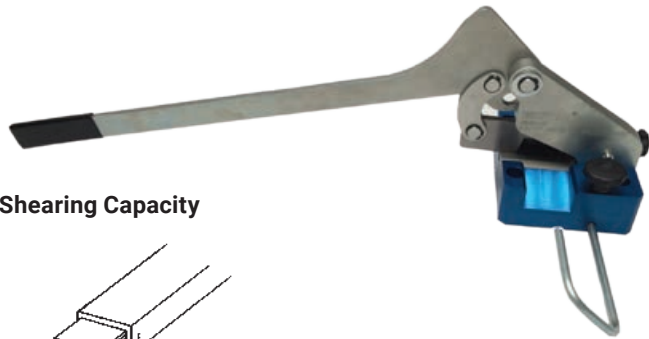


Overall dimensions: L 500 x W 500 x H 290 mm

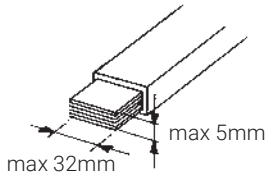
Article N°	Description		
559149	Workbench - MFTK	1	35 kg

- A. Cutting tool
  - Specifically designed for cutting Flexibar up to 5x32 cm
- B. Stripping tool
  - Cut all 4 sides of insulation in one operation without marking the copper.
- C. Bending tool
  - Simple hand operated bending tool. Does not damage insulation.
- D. Twisting tool
  - Used in conjunction with bending tool. This simple tool facilitates plane change
- E. Cutter
  - Stripping knife with interchangeable blades
- F. Instruction
  - Clear instruction sheet for the use of the tools.

# nVent ERIFLEX Flexibar Manual Tools



## Shearing Capacity





Flexibar 5 x 32 x 1 maximum

**WARNING:** Cutting solid bars will damage the tool

## SHEARING TOOL

- Cuts quickly and accurately without burrs or deformation
- Cuts with the insulation on – without any damage
- Graduated endstop
- Cost-effective
- Spare blade MFCB



Article N°	Description		
559146	MFSHT-2 Flexibar Manual Shearing Tool	1	6 kg
559147	Replacement Blades for MFSH	1	0.5 kg

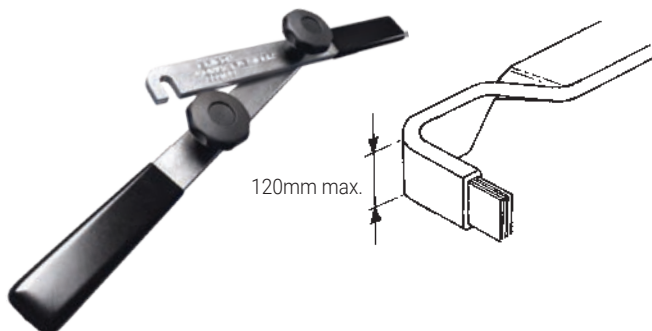


## BENDING TOOL

- Bends quickly without insulation damage
- Manual saw guide included
- Adjustable angle up to 120°
- Bending radius: 5 mm
- Maximum capacity: Flexibar 10 x 100 x 1

Overall dimensions: L 170 x l 150 x H 220 mm



Article N°	Description		
559145	MFBT-2 Flexibar Manual Bending Tool	1	7 kg



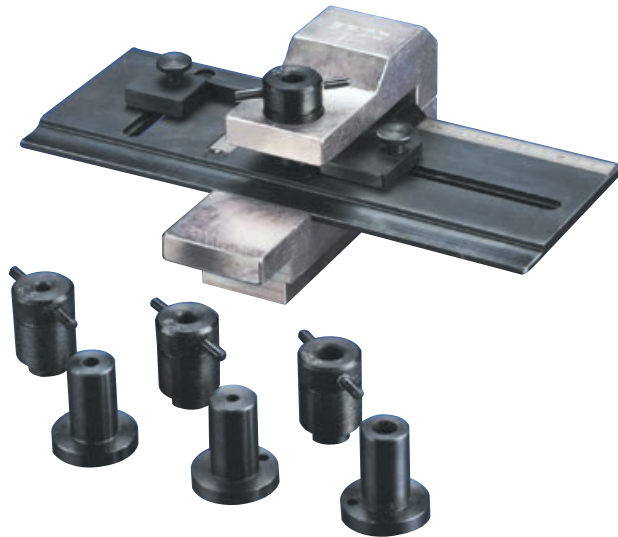
## TWISTING TOOL

- Unlimited possibilities of twisting or changing plane. Designed to be used with the bending tool

Overall dimensions: L 560 x l 150 x H 70 mm

Article N°	Description		
559148	MFTT-2 nVent ERIFLEX Flexibar Manual Twisting Tool	1	2.5 kg

# nVent ERIFLEX Flexibar Manual Tools

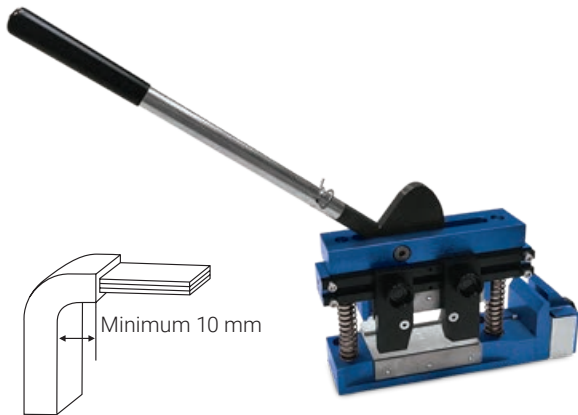


## NVENT ERIFLEX FLEXIDRILL DRILL GUIDE

- Multi-diameter, multi-distance between centers.
- This guide facilitates the drilling of one or more holes of various diameters at different distances between centers.
- Drill guide inserts:
  - 6,5 mm / 8,5 mm / 10,5 mm / 12,5 mm (558600)
  - 5/16" Die Set - 1/4" Bolt, 3/8" Die Set - 5/16" Bolt, 17/32" Die Set - 7/16" Bolt, 9/16" Die Set - 1/2" Bolt (558601)

Overall dimensions: L 560 x l 150 x H 70 mm

Article N°	Description		
558600	nVent ERIFLEX Flexidrill	1	9.5 kg
558601	nVent ERIFLEX Flexidrill Imperial	1	9.5 kg



## STRIPPING TOOL

- Quick & simple stripping of Flexibar from 9 up to 120 mm
- Cuts all of 4 faces of the insulation in a single operation without damaging the copper.
- Allows stripping on short length
- Aluminium cast body, four holes for fixing

Overall dimensions: L 220 x W 100 x H 250 mm

Article N°	Description		
559143	MFST-2 Flexibar Stripping Tool	1	8 kg
559144	MFST-2 Flexibar Stripping Tool Blade Set	1	1 kg

## STRIPPING KNIFE



- Accurately cuts the Flexibar insulation
- Special sharpening to avoid damaging the conductors
- Highly resistant blade, interchangeable
- Blade protection
- Ergonomic shockproof resin handle


Article N°	Description		
559050	Stripping knife - SOK	1	0.062 kg
559060	Spare blade for SOK	1	0.020 kg

# nVent ERIFLEX Flexibar Manual Tools



## PUNCHING TOOL & ACCESSORIES


- Works with copper or aluminium busbar and Flexibar
- Punches flat and clean hole edges
- Accurately punches Flexibar in a single operation without marking the copper laminates
- Quick and easy installation
- Quick setup with interchangeable punch and die system
- Large range of round punches and dies available
- Includes adjustable throat depth stop
- Removable handle
- Portable tool can be used on the jobsite or attached to a workbench
- RoHS compliant

Article No	Part Number	Busbar thickness	Depth	Height	Width	
559152	MFPT	6 mm Max	240 mm	450 mm	110 mm	15.1 kg

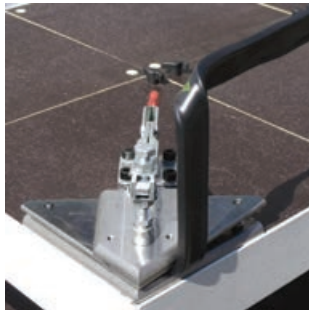
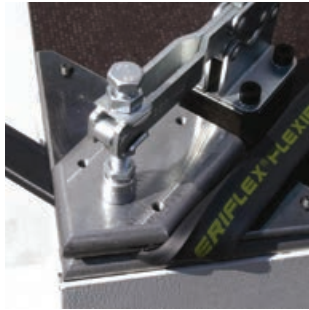
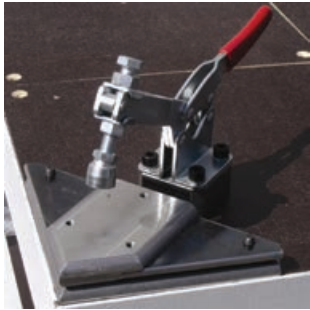
## PUNCHING TOOL & ACCESSORIES

- For use with MFPT Flexibar Punching Tool
- Kit includes one punch, one die, and one ejection stop
- Quick and easy installation
- RoHS compliant



Article No	Description	Punch Size	Screw Diameter	
559153	MFPTPD-M6-14	7.0 mm	M6, 1/4"	0.15 kg
559154	MFPTPD-M8	9.0 mm	M8	0.15 kg
559155	MFPTPD-M10-38	11.0 mm	M10, 3/8"	0.15 kg
559156	MFPTPD-M12-12	13.0 mm	M12, 1/2"	0.15 kg

# nVent ERIFLEX Flexibar Manual Tools



## FLEXIBAR SMALL BENDING AND FOLDING TOOL



- Used to ease the process of bending, folding or twisting of Flexibar

Article N°	Description		
558945	SFBF	1	5.1 kg

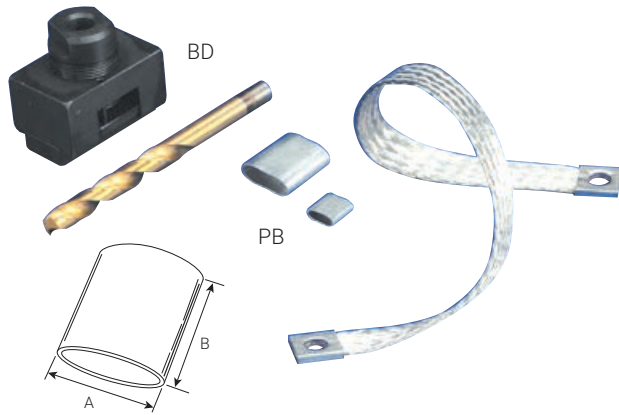
## MHYFSHT MANUAL HYDRAULIC FLEXIBAR SHEARING TOOL

- Cuts Flexibar quickly and accurately without burrs or deformation
- Cuts through the insulation without damaging it
- Works with all sizes of Flexibar
- Integrated handles allow for easy portability
- Works without electrical or hydraulic power
- Includes two brackets for mounting to workbench
- Strong mechanical assembly
- Replacement blade available
- RoHS compliant



Article N°	Description		
559151	MHYFSHT - Manual Hydraulic Flexibar Shearing Tool	1	29 kg

# nVent ERIFLEX Flexibar Manual Tools



## BRAID & CRIMP DRILL TOOL

- BD - Crimp & Braid Drill Tool
  - Comprised of a guide and adapted drill bit.
  - For crimping and drilling of braid terminals Comprise.
- PB Lugs for Flat Braids
  - Tinned annealed copper

Article N°	Description	Bolts		
558610	BD 16 - 6,5	M6	1	0.653 kg
558640	BD 16 - 8,5	M8	1	0.653 kg
558620	BD 25 - 11	M10	1	0.678 kg
558630	BD 50 - 12,5	M12	1	0.712 kg

Article N°	Description	For Flat Braid	A X B		
557180	PB 16	FTCB or FRCB 15-16	16 x 15	100	0.004 kg
557190	PB 25	FTCB or FRCB 15-25	22 x 25	100	0.010 kg
557380	PB 50	FTCB or FRCB 15-50	30 x 30	100	0.017 kg

## CUTTING & PUNCHING TOOL FOR DIN PROFILES

- Punches slots and cuts DIN rail without burrs or deformation
  - Punches horizontal and vertical slots
  - Works with five different types of DIN rail and M6 threaded rod
  - Includes ruler, guide and end stops
  - RoHS compliant

Overall dimensions: L 165 x W 100 x H 200 mm

Lever: 630 mm



Article N°	Description		
559142	DIN rail Cutter	1	13 kg



# Manual Tool Product

Art. No.	Description	Page
545650	Hydraulic Busbar & Flexibar Work Center - 230V	7
545720	Hydraulic Busbar & Flexibar Work Center - 115V	7
545680	Puncher	8
545800	6,5 mm punch	9
545801	6,5 mm die	9
545893	6,5-9-11-14 Ejection Stop	9
545805	9 mm punch	9
545806	9 mm die	9
545810	11 mm punch	9
545811	11 mm die	9
545815	14 mm punch	9
545816	14 mm die	9
545820	18 mm punch	9
545821	18 mm die	9
545894	18-20 Ejection Stop	9
545825	20 mm punch	9
545826	20 mm die	9
545850	6,5x13 mm punch	9
545851	6,5x13 mm die	9
545855	9x18 mm punch	9
545856	9x18 mm die	9
545860	11x20 mm punch	9
545861	11x20 mm die	9
545865	14x20 mm punch	9
545866	14x20 mm die	9
545950	5/16" Punch - 1/4" Bolt	9
545951	5/16" Die - 1/4" Bolt	9
545955	3/8" Punch - 5/16" Bolt	9
545956	3/8" Die - 5/16" Bolt	9
545960	17/32" Punch - 7/16" Bolt	9
545961	17/32" Die - 7/16" Bolt	9
545965	9/16" Punch - 1/2" Bolt	9
545966	9/16" Die - 1/2" Bolt	9
545895	Ejection stop 6.5-9-11-14	9
545896	Ejection stop 18-20	9
545900	Punch Holder 6,5-9-11-14	9
545905	Punch Holder 18-20	9
545910	Die Holder	9
557240	FTCB 15-16	10
557260	FTCB 15-25	10
557300	FTCB 15-50	10
557180	PB 16	10

Art. No.	Description	Page
557190	PB 25	10
557380	PB 50	10
545670	Busbar bender	11
558990	Tool ruler HFST-R	12
545700	Electro Hydraulic Pump 230 V + Foot Controller	12
545701	Electro Hydraulic Pump 115 V + Foot Controller	12
545706	Hydraulic oil 0,946 liter	12
545690	Hydraulic Busbar Cutter	12
545695	Hydraulic Busbar Cutter Blade	12
559010	Hydraulic shearing tool HFST	13
559040	Tool blades HFST-C	13
559020	Tool Guide HFST-B	13
558930	Flexibar Folding Tool MFF	17
558932	Flexibar Folding Tool Fixed Vice MFFV	18
558931	Flexibar Folding Tool U-Shape MFFU	18
558933	Flexibar Folding Tool Rail MFFR	18
558934	Flexibar Folding Tool Clamp 63 MFFC	19
558935	Flexibar Folding Tool Clamp 120 MFFC	19
558920	Flexibar Bending Tool	20
559149	Workbench - MFTK	21
559146	MFSHT-2 Flexibar Manual Shearing Tool	22
559147	Replacement Blades for MFSH	22
559145	MFBT-2 Flexibar Manual Bending Tool	22
559148	MFTT-2 nVent ERIFLEX Flexibar Manual Twisting Tool	22
558600	nVent ERIFLEX Flexidril	23
558601	nVent ERIFLEX Flexidril Imperial	23
559143	MFST-2 Flexibar Stripping Tool	23
559144	MFST-2 Flexibar Stripping Tool Blade Set	23
559050	Stripping knife - SOK	23
559060	Spare blade for SOK	23
559153	MFPTPD-M6-14	24
559154	MFPTPD-M8	24
559155	MFPTPD-M10-38	24
559156	MFPTPD-M12-12	24
558945	SFBF	25
559151	MHYFSHT - Manual Hydraulic Flexibar Shearing Tool	25
558610	BD 16 - 6,5	26
558640	BD 16 - 8,5	26
558620	BD 25 - 11	26
558630	BD 50 - 12,5	26
559142	DIN rail Cutter	26

Our powerful portfolio of brands:

**CADDY ERICO HOFFMAN RAYCHEM SCHROFF TRACER**



[nVent.com/ERIFLEX](https://nVent.com/ERIFLEX)

©2020 nVent. All nVent marks and logos are owned or licensed by nVent Services GmbH or its affiliates. All other trademarks are the property of their respective owners. nVent reserves the right to change specifications without notice.

ERIFLEX-CAT-P1356B-HydraulicManualTools-USEN-2006