

C25-100-METAL and C3/4-100-METAL

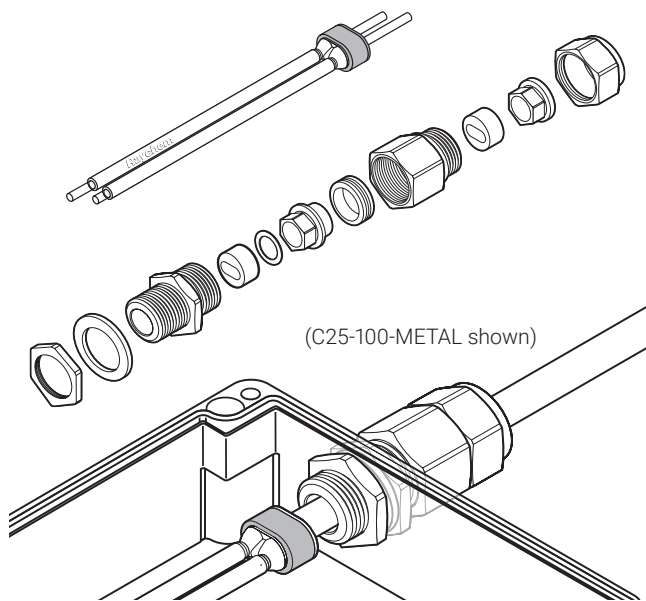


RAYCHEM

CONNECT AND PROTECT

Cold applied metal connection kit

PRODUCT OVERVIEW



These connection kits are designed for terminating all nVent RAYCHEM BTV, QTVR, XTV, KTV, HTV and VPL industrial parallel heating cables to a junction box, whilst maintaining electrical insulation of the heating cable conductors and core.

The braid is directly connected to the metal gland body. The connection kits can be used with metal boxes or plastic boxes with internal earthing plate. They are approved for use in hazardous areas.

The core sealing boot does not require a heat gun or torch for the installation (no hot work permit necessary). The non-curing sealant allows easy installation and facilitates maintenance purposes.

The C25-100-METAL kit is designed for use with M25 entries, the C3/4-100-METAL for 3/4" NPT entries.

A metal locknut is included.

Application

Connection kit for BTV, QTVR, XTV, KTV, HTV and VPL parallel heating cables

Kit contents

- 1 gland,
- 2 grommets,
- 1 locknut and sealing washer (only M25),
- 1 core sealer,
- 1 installation instruction (multilingual).

PRODUCT SPECIFICATION

Technical Details

	C25-100-METAL	C3/4-100-METAL
Thread size	M25 x 1.5	3/4" NPT
Gland material	Brass	Brass
Min. ambient temperature	-60°C	-60°C
Max. exposure temperature	180°C	180°C

APPROVALS

For use in ordinary and hazardous area Zone 1 and Zone 2 (Gas), Zone 21 and Zone 22 (Dust)

Temperature classification

Temperature classification is defined by the complete system.

Product certification



More details about product certification, approvals and conditions of safe use are available in the installation manual at www.nVent.com/RAYCHEM.

ORDERING INFORMATION

Part description	C25-100-METAL	C3/4-100-METAL
PN (Weight)	875016-000 (0.31 kg)	440588-000 (0.3 kg)
Gland material	Brass	Brass
Part description	C25-100-METAL-NP	C3/4-100-METAL-NP
PN (Weight)	1244-002296 (0.31 kg)	1244-001350 (0.3 kg)
Gland material	Nickel Plated Brass	Nickel Plated Brass
Part description	C25-100-METAL-SS	
PN (Weight)	1244-017869 (0.3 kg)	
Gland material	Stainless Steel	

North America

Tel +1.800.545.6258
 Fax +1.800.527.5703
thermal.info@nVent.com

Europe, Middle East, Africa

Tel +32.16.213.502
 Fax +32.16.213.604
thermal.info@nVent.com

Asia Pacific

Tel +86.21.2412.1688
 Fax +86.21.5426.3167
cn.thermal.info@nVent.com

Latin America

Tel +1.713.868.4800
 Fax +1.713.868.2333
thermal.info@nVent.com



Our powerful portfolio of brands:

CADDY ERICO HOFFMAN RAYCHEM SCHROFF TRACER