

Single-circuit electronic controller with dual display

PRODUCT OVERVIEW



The nVent RAYCHEM TCONTROL-05 family of electronic controllers provide accurate temperature control and centralized monitoring for individual heat-tracing circuits.

The compact panel mount TCONTROL-05 has two displays for indicating the process value and the set point. During programming these displays provide user guidance and visual aid to simplify commissioning.

Alternatively, the optional and easy to use TCONTROL-05/CONFIG software can be used for computer aided configuration.

TCONTROL-05 units are factory configured for ON/OFF control and are suitable for most heat-tracing applications. Other types of control algorithms can be configured by the user.

Different hardware configurations are available: Units with a relay output for controlling electro-mechanical relays or solid state relays and TCONTROL-05/MA units with an analog output for driving other types of actuators like thyristors.

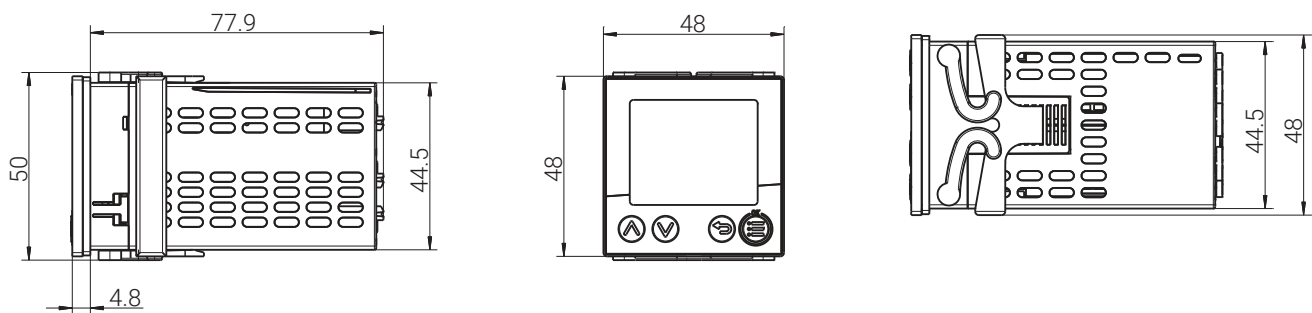
The health of the temperature input sensor is permanently monitored for failures. An alarm will appear in the event of sensor break or short circuit. In the event of a sensor failure the control output switches to a user defined state (ON or OFF)

Specific features:

- Time delayed controller activation after initial power up (this can be used to avoid peak demands during start-up)
- Service counter included in order to count and eventually alarm on the number of relay operations.

PRODUCT SPECIFICATIONS

Dimensions (mm)



Minimum spacing in between panel cut-outs	Horizontal spacing	Vertical spacing
TCONTROL-05 (all types)	> 15 mm	> 30 mm

Technical details

Application	nVent RAYCHEM TCONTROL-05 units are panel mount controllers and are typically used for providing tight temperature control of individual heat-tracing circuits.	
Memory data backup	EEPROM based non-volatile memory. No loss of configuration data after power outage or long term shut down.	
Display	2 piece 18 segment LCD displays	
Supported control modes	ON/OFF, P, PI, PD or PID with auto-tuning are user selectable	
Measuring accuracy	PT100 3-wire	error ≤ 0.1%,
	PT100 2-wire	error ≤ 0.1%
	Thermocouples (incl. cold junction)	error ≤ 0.25%
	Voltage and current inputs	error ≤ 0.1%

Electrical Properties

Supply voltage & own power consumption	110 Vac to 240 Vac -15/+10%, 48 to 63 Hz & ~4.1 VA	
Electrical connections	Via screw terminals on the back of the unit. Terminals are suitable for wires ranging from 1 to maximum 1.3 mm ² solid core or 1 mm ² stranded with cable shoe. Terminal strips are pluggable.	
Supported output types (depending on model)	TCONTROL-05: 3 relay outputs (SPST) + 1 logic output TCONTROL-05/MA: 2 relay outputs (SPST) + analog output TCONTROL-05/COM: 3 relay outputs (SPST) + 1 logic output + RS485 TCONTROL-05/COMA: 2 relay outputs (SPST) + analog output + RS485	

Input options (all types)

Temperature sensor inputs	PT100, PT1000 RTD's in 2- and 3 wire connection, KTY11-6 sensors Thermocouple types: L, J, U, T, K, E, N, S	
Electrical input signals	0/4 .. 20 mA or 0/2 .. 10 V (R _i = 100 Kohm)	
Temperature control range	From -200°C to + 2400°C depending on the type of temperature sensor used	

Output options and output ratings (depending on type)

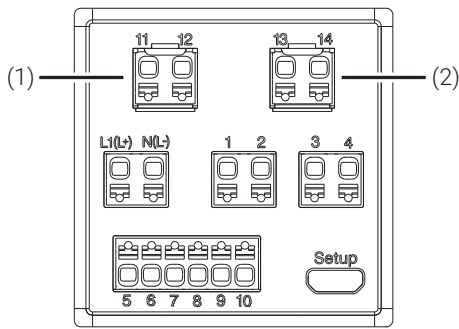
TCONTROL-05 TCONTROL-05/COM	Control and alarm relay contacts (SPST) are rated 3 A at 230 VAC. Expected lifetime: 350 k operations at rated current or ~900 K operations at 1 A Logic output 0 .. 12 V. Maximum current 20 mA	
TCONTROL-05/MA TCONTROL-05/COMA	Control output, analog: 0/4 .. 20 mA R _{load} ≥ 500 Ohm Logic output 0 .. 12 V, maximum current 20 mA Alarm relay contacts (SPST) are rated 3 A at 230 VAC. Expected lifetime: 350 k operations at rated current. 900 k operations at 1 A	
Communication options (*)	RS485, Modbus at 9600, 19200 or 38400 BPS. Maximum up to 32 devices per network. (*)	
Alarm options	2 independently configurable alarm relay outputs are provided. TCONTROL-05 units automatically alarm in case of sensor break or sensor short. On top of the input sensor driven alarms up to 8 different temperature triggered alarm functions can be defined. (see installation instructions for details)	

(*) supported on TCONTROL-05/COMx units only

Enclosure

Housing type	Plastic enclosure approved to IEC 61554 (ABS) Suitable for installation in electrical distribution panels	
Environmental protection	Front IP65, rear IP20 to DIN EN60529	
Max. operating temperature	-10°C to +55°C	
Max. storage temperature	-30°C to +70°C	
Relative humidity	90% maximum, no condensation	
Installation position	All positions allowed	

Connection diagram



Terminals	Connection	Terminals	Connection	Terminals	Connection
1, 2	Output 1 (relay)	8, 10	Input 2 (for potential-free contact)	13, 14	(2) = option 2: output 5 (relay, logic or analog output)
3, 4	Output 2 (relay)	9, 10	Input 1 (for potential-free contact) or output 3 (logic output)	L1(L+), N(L-)	Voltage supply
5-8	Analog input	11, 12	(1) = option 1: output 4 (relay, logic output) or RS485 interface	Setup (USB)	PC (setup program)

APPROVALS

For use in ordinary area (indoors, panel mount - through the panel)

Electrical Safety to DIN EN 61010-1 over voltage category II, pollution degree 2 EMC DIN EN 61326 -1, Class A to industrial requirements.

Product certification



More details about product certification, approvals and conditions of safe use are available in the installation manual at www.nVent.com/RAYCHEM.

ORDERING INFORMATION

Wiring example

	Part Description	PN	Weight
Control units	TCONTROL-05	1244-022496	~ 0.125 kg
	TCONTROL-05/MA	1244-022497	
	TCONTROL-05/COM	1244-022499	
	TCONTROL-05/COMA	1244-022498	

Accessory selection table

Configuration and setup interface + software	TCONTROL-05/CONFIG	1244-022500	~ 0.120 kg
----------------------------------------------	--------------------	-------------	------------

Accessory selection table

Sensors for hazardous area	MONI-PT100-EXE (1), (2)	967094-000	
	MONI-PT100-4/20MA	704058-000	
Sensor for non-hazardous area	MONI-PT100-NH	140910-000	
Support bracket for temperature sensors	JB-SB-26	338265-000	

Note 1: Sensor can be extended with a 3-wire shielded cable of max 30 Ohms per conductor (max. 150 m with a 1.5 mm² cable). The sensor cable should be shielded if it is laid in cable ducts or in the vicinity of high-voltage carrying cables. The shield of the extension cable should be grounded at the controller end only.

Note 2: MONI-PT100-EXE temperature sensors can be directly connected to the TCONTROL-05 input terminals. There is no need to use current limiting devices such as zener barriers or isolators.

Note 3: Installed in ordinary area.

North America

Tel +1.800.545.6258
Fax +1.800.527.5703
thermal.info@nVent.com

Europe, Middle East, Africa

Tel +32.16.213.502
Fax +32.16.213.604
thermal.info@nVent.com

Asia Pacific

Tel +86.21.2412.1688
Fax +86.21.5426.3167
cn.thermal.info@nVent.com

Latin America

Tel +1.713.868.4800
Fax +1.713.868.2333
thermal.info@nVent.com



Our powerful portfolio of brands:

CADDY ERICO HOFFMAN RAYCHEM SCHROFF TRACER