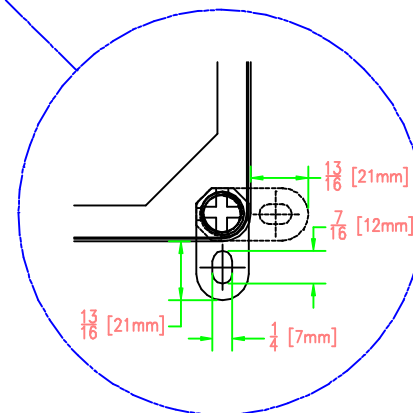


NOTE:

1. SES200 SHOWN IS A 3-Ø WITH FILTER AND SURGE COUNTER. OTHER SES200 MODELS MAY NOT CONTAIN ALL COMPONENTS.



RECOMMENDED CONDUIT ENTRY AREAS



THIS DOCUMENT AND THE CONTENTS THEREOF IS THE PROPERTY OF ERICO, INC. AND IS FURNISHED TO YOU FOR INFORMATION ONLY. THE INFORMATION CONTAINED HEREIN IS CONFIDENTIAL AND OF A PROPRIETARY NATURE AND MAY NOT BE DISCLOSED TO THIRD PARTIES WITHOUT THE EXPRESS WRITTEN APPROVAL OF ERICO, INC.

ALL DIMENSIONS AND TOLERANCES IN INCHES UNLESS OTHERWISE SPECIFIED.

REVISIONS TO BE COMPUTER PROCESSED. NO MANUAL CHANGES PERMITTED.

A	FOR ILLUSTRATION ONLY	ESN07081	10AUG01	DRB		
REV	DESCRIPTION	EN #	DATE	DRN	CHK	APP
TOLERANCE UNLESS NOTED				THIRD ANGLE PROJECTION 		
ANGULAR TOLERANCE: ±1°						
FRACTIONAL TOLERANCE: ±1/8						
TWO PLACE DECIMAL: ±0.01						
THREE PLACE DECIMAL: ±0.001		TITLE: SES200 INSTALLATION DIMENSIONS AND CONDUIT ENTRY LOCATIONS				
PROJECT NO: _____		SCALE	DWG	SES200		REV
APPR LEVEL: A		NTS				A
PART NO: _____						
FILENAME: ESN/SES						

Form BL001 - revision 1.00