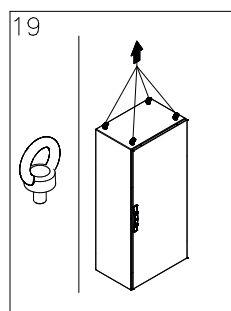
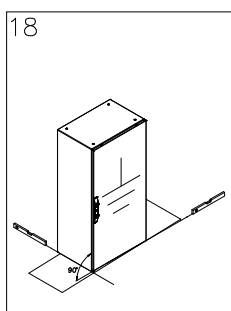
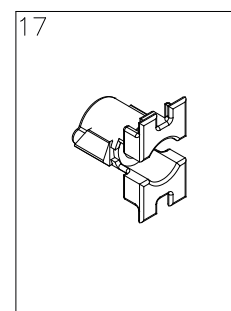
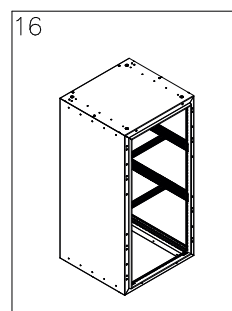
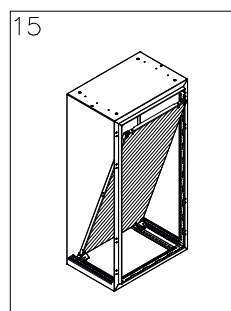
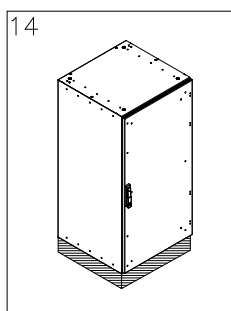
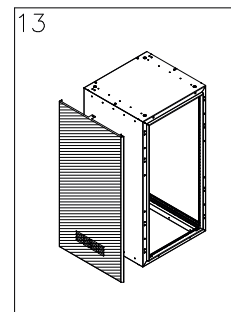
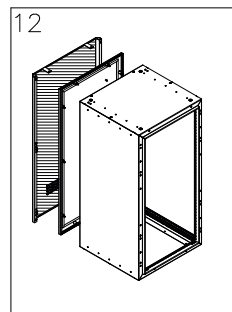
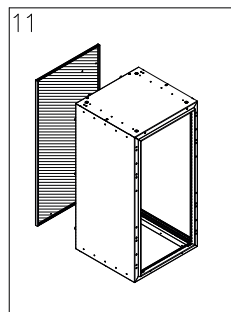
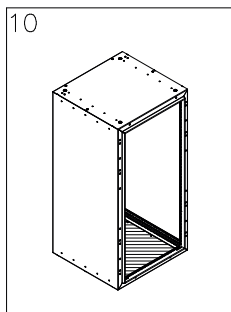
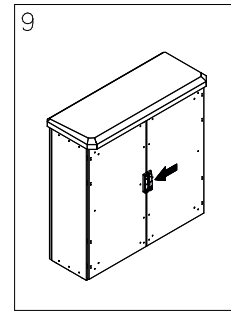
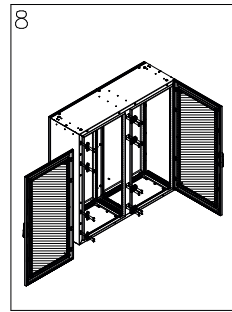
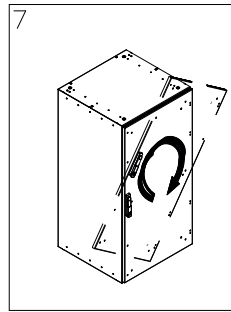
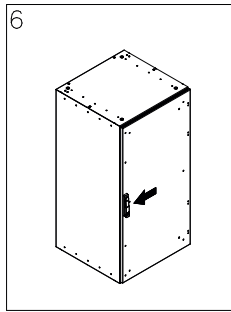
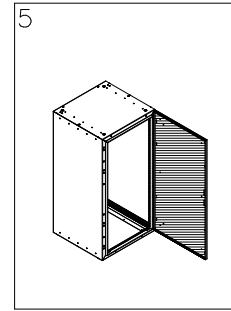
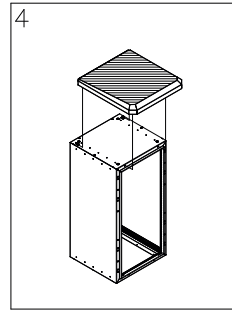
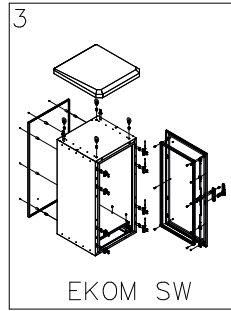
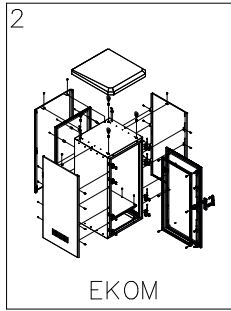


Floor standing enclosures Aluminum single/double wall compact version

MOUNTING INSTRUCTIONS

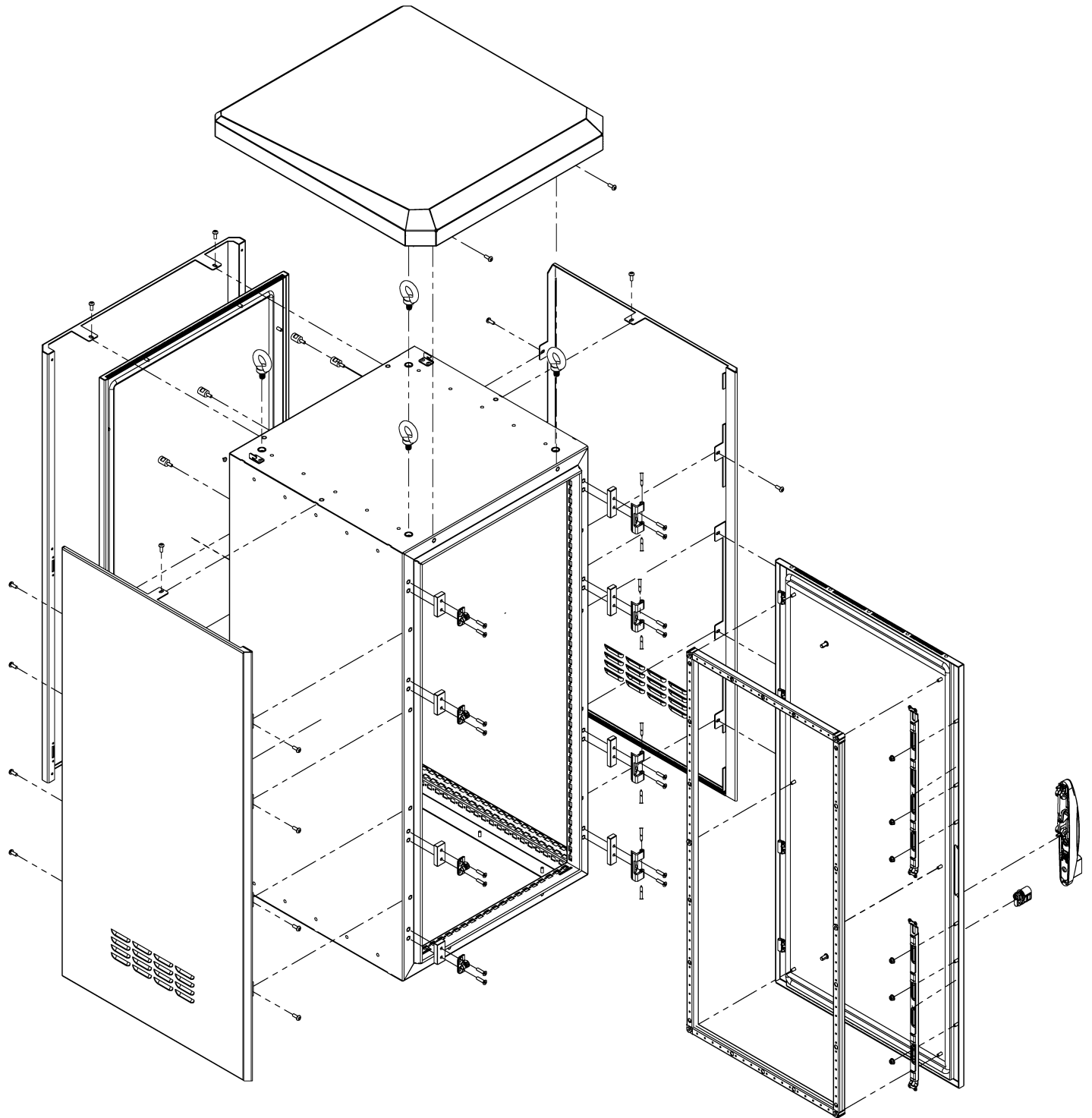
9885-0398-27 REV. 6

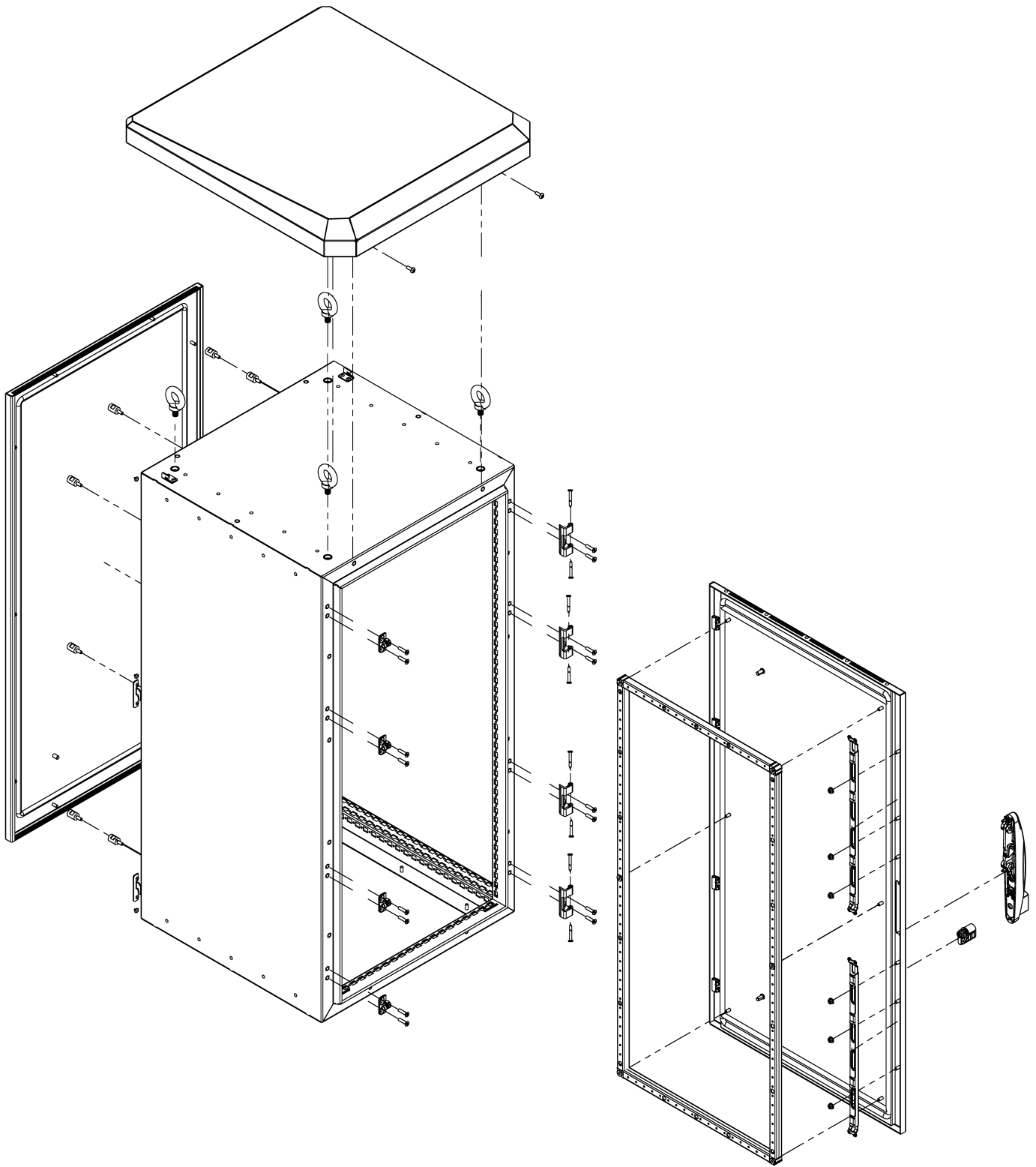




WARNING: When mounting on or over a combustible surface, a floor plate of at least 1.43 mm galvanized or 1.6 mm uncoated steel extended at least 150 mm beyond the equipment on all sides must be installed.

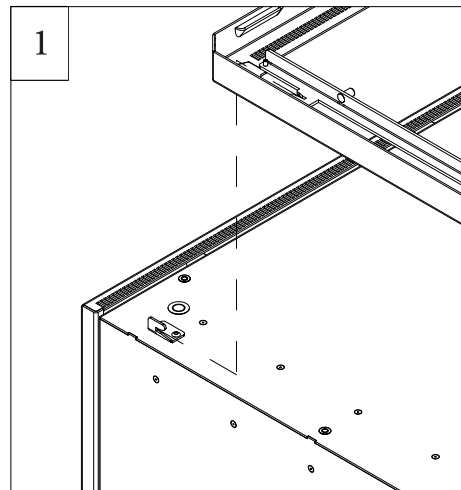
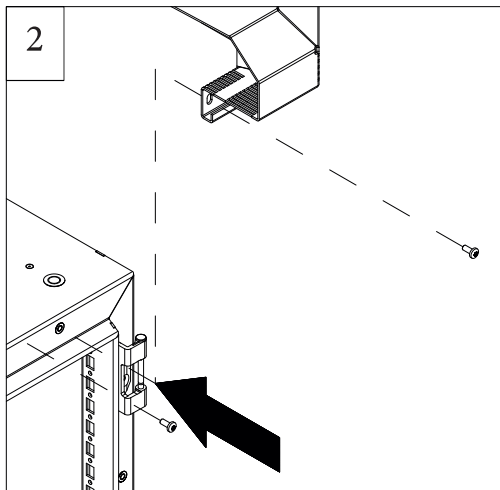
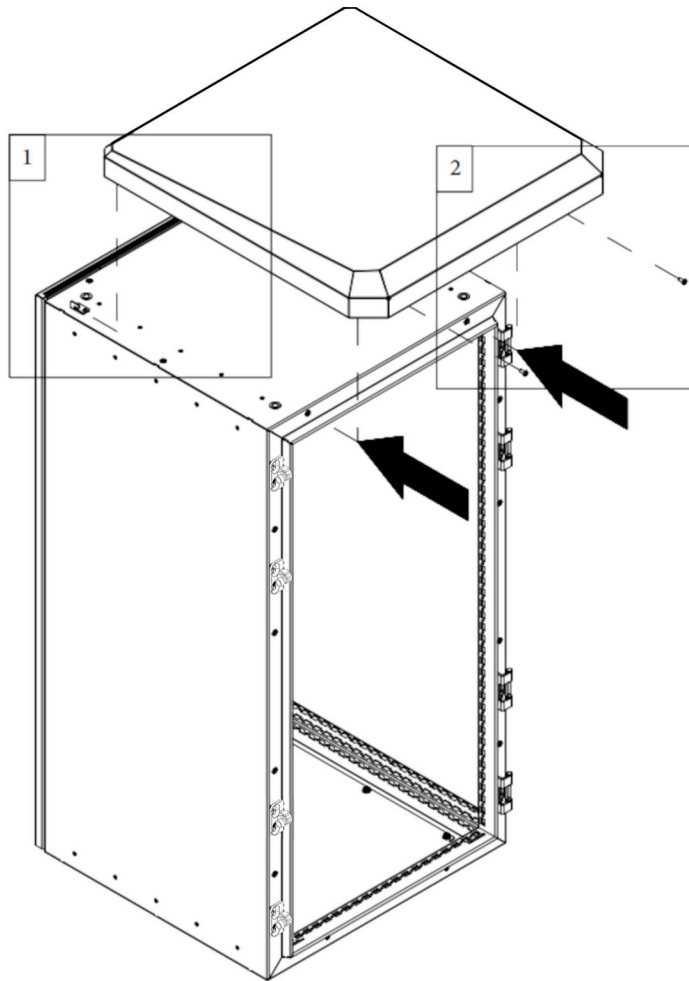
WARNING: In order to maintain the environmental integrity of the enclosure, devices with the same environmental ratings shall be used to close openings in customized enclosure.





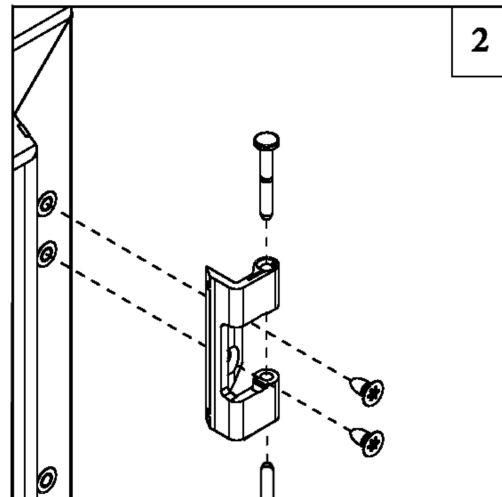
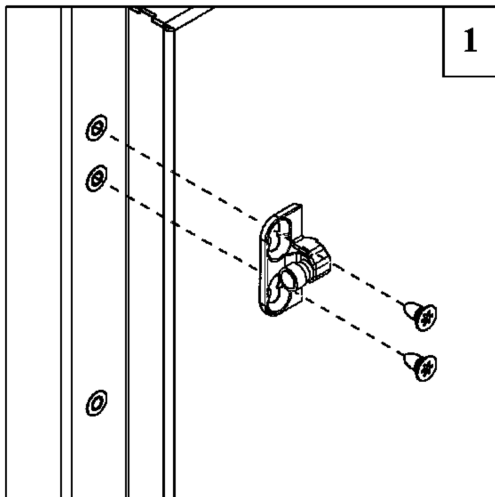
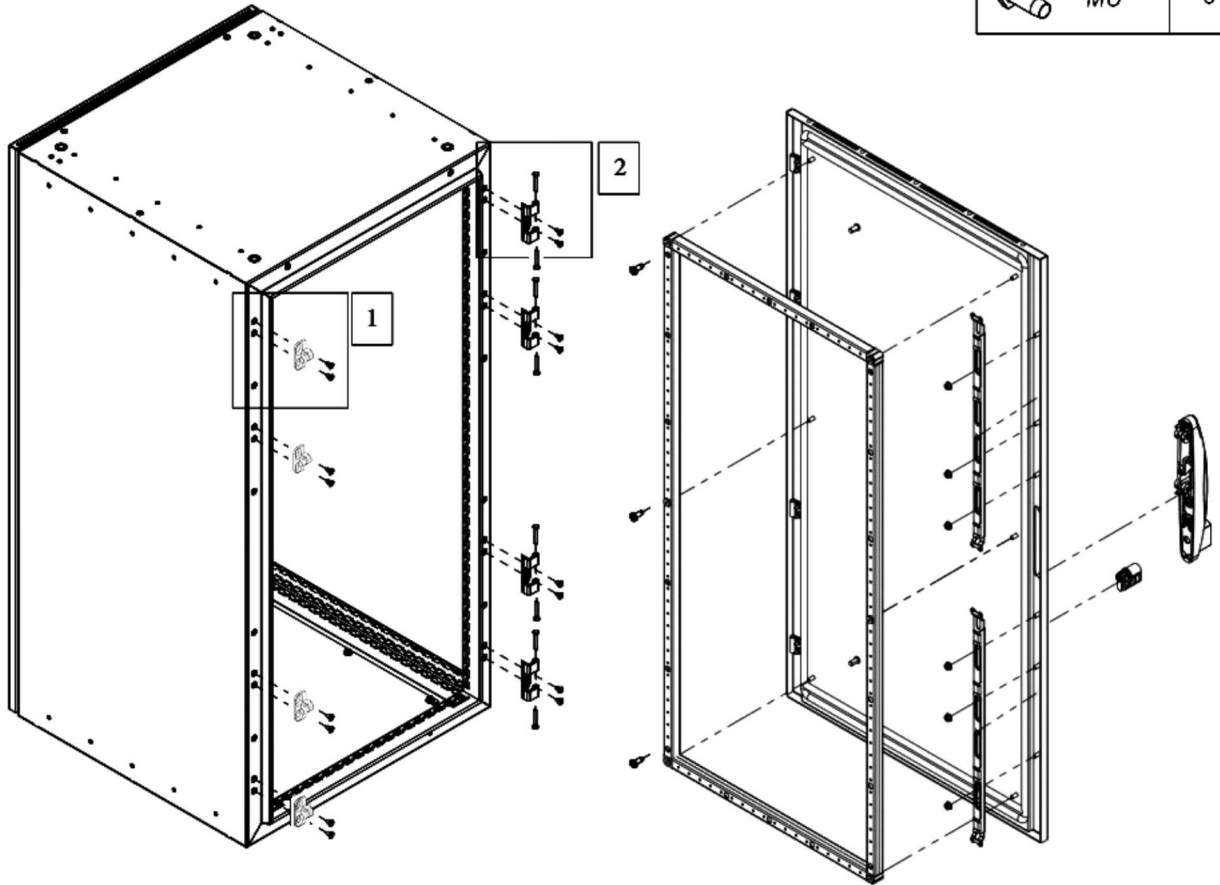


Pic.	Qty.
M6x6	2



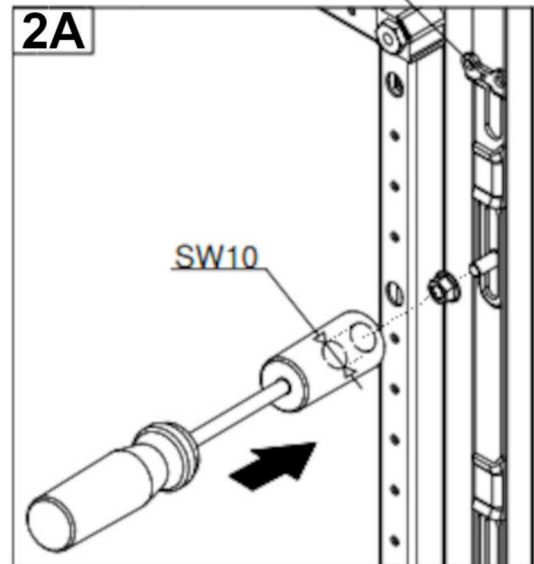
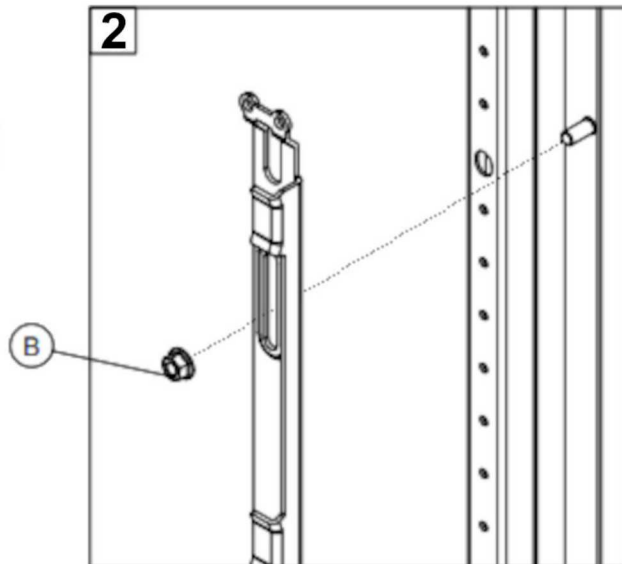
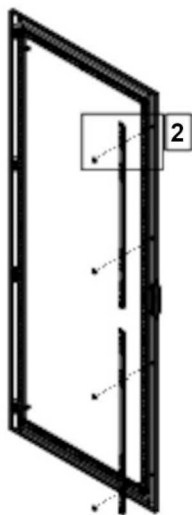
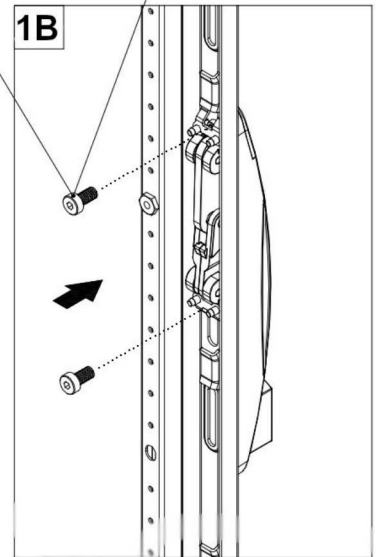
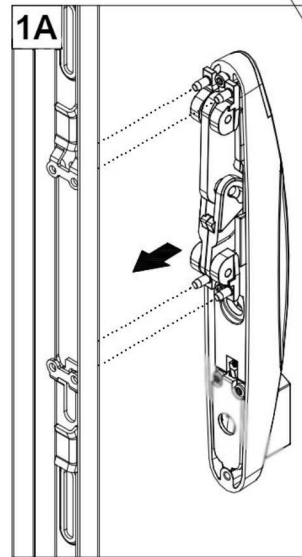
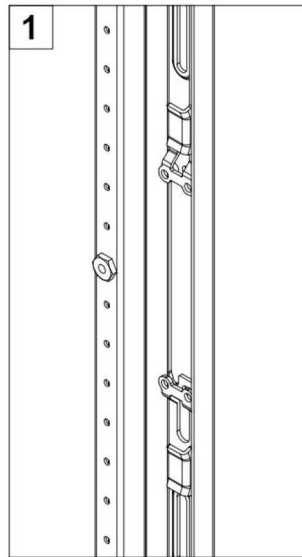


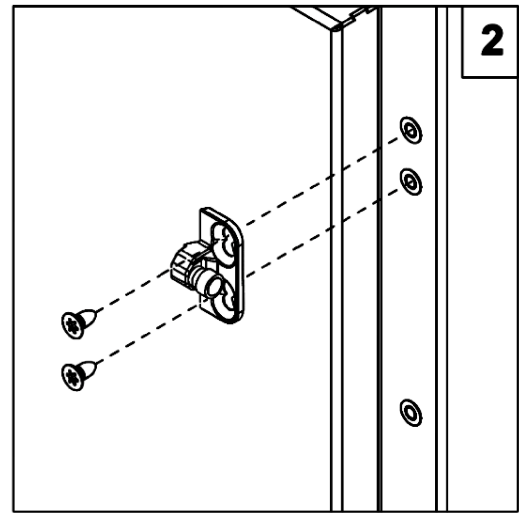
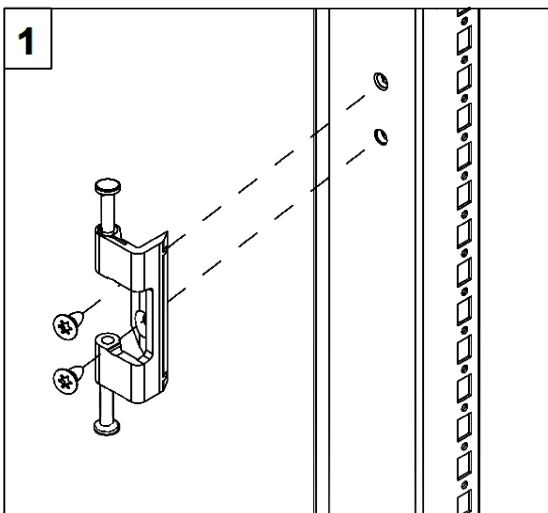
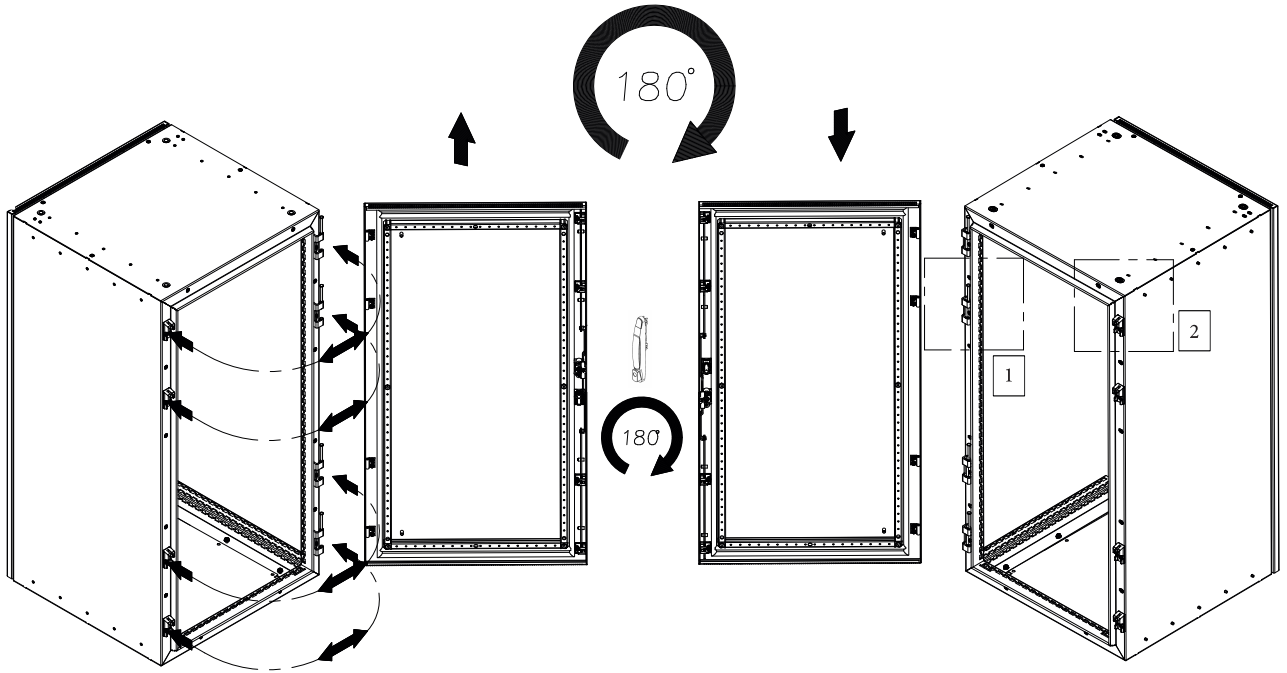
Pic.		Qty.
	M6x16	16
	M6	4
	M6	6






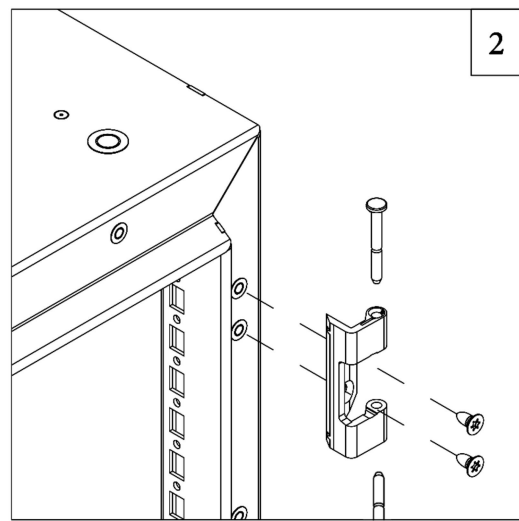
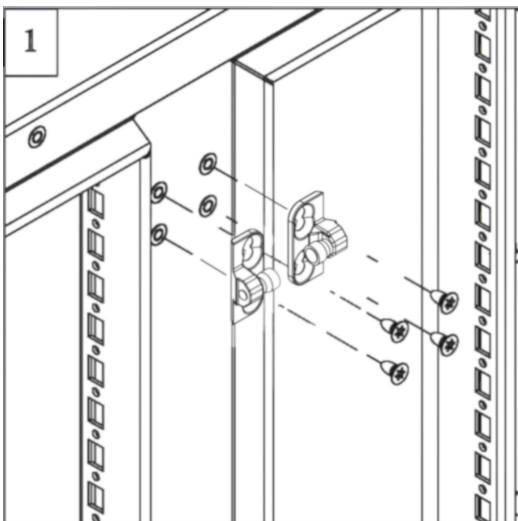
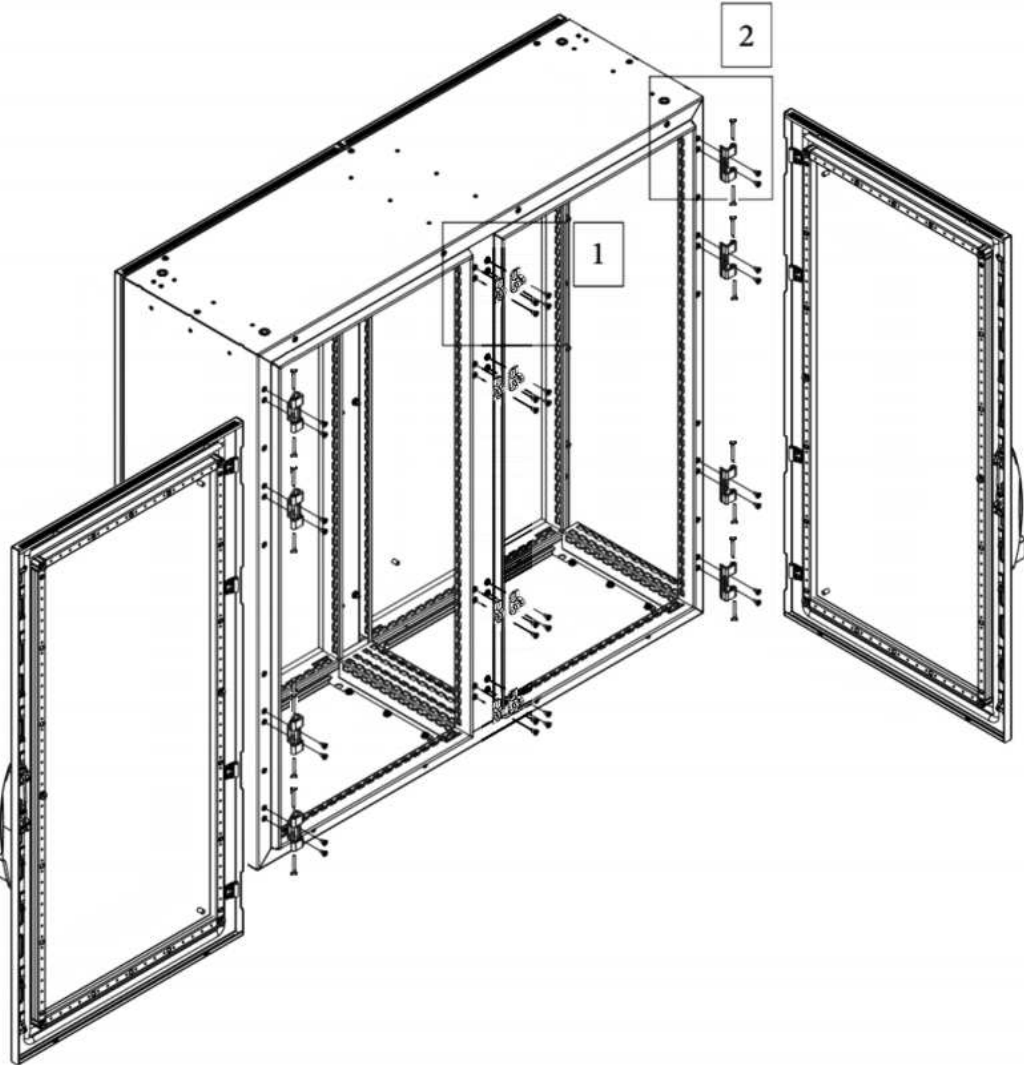
Ref.	Pic.	Qty.
A	M5x10	2
B	M6	6








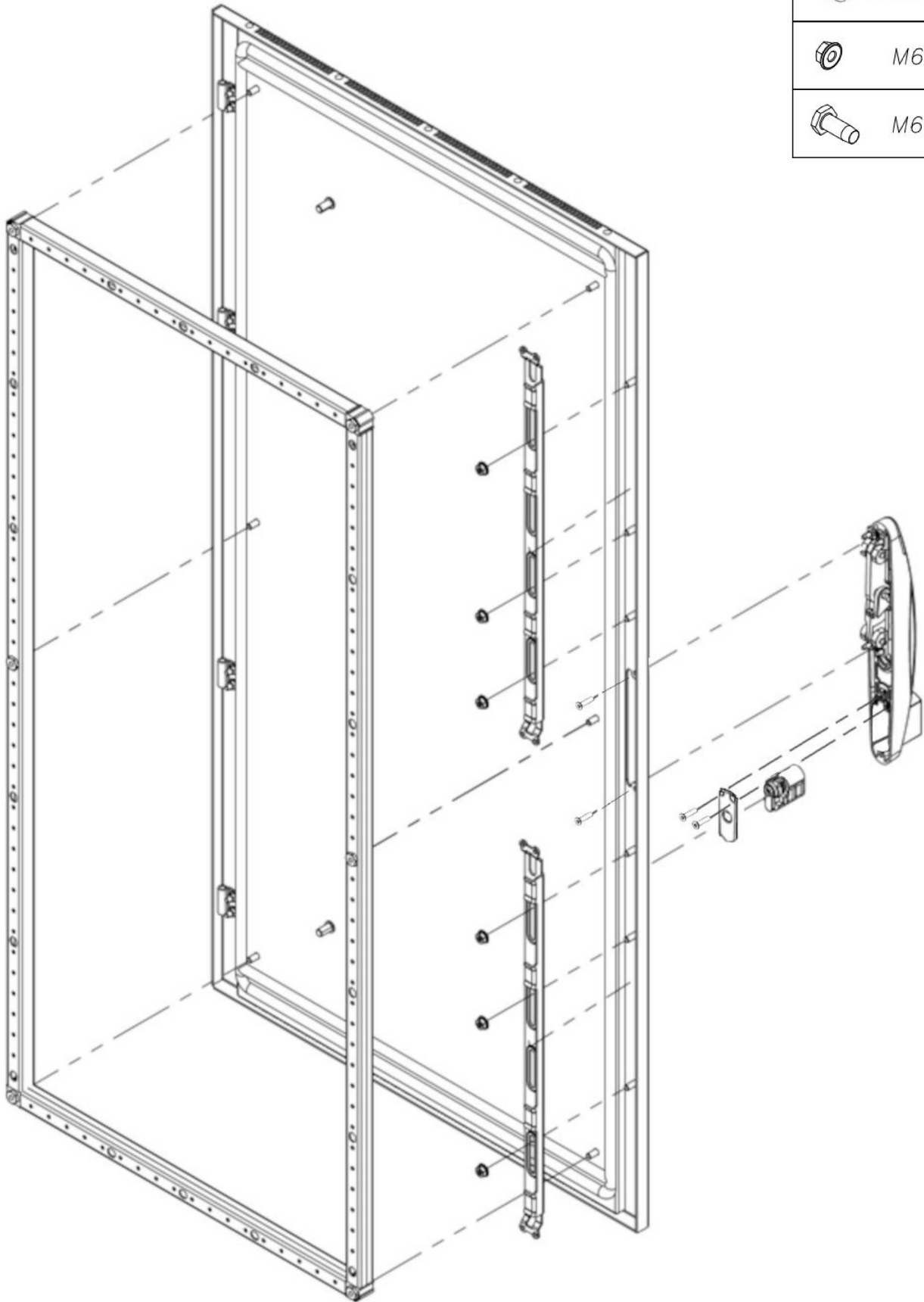


Pic.	Qty.
	M6x16 32




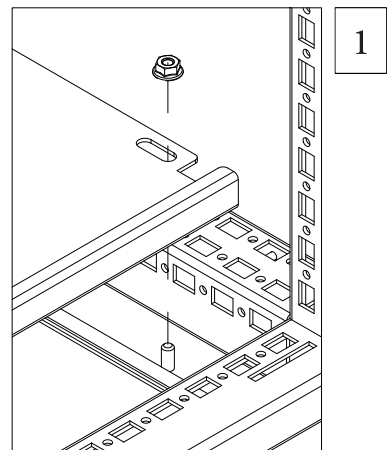
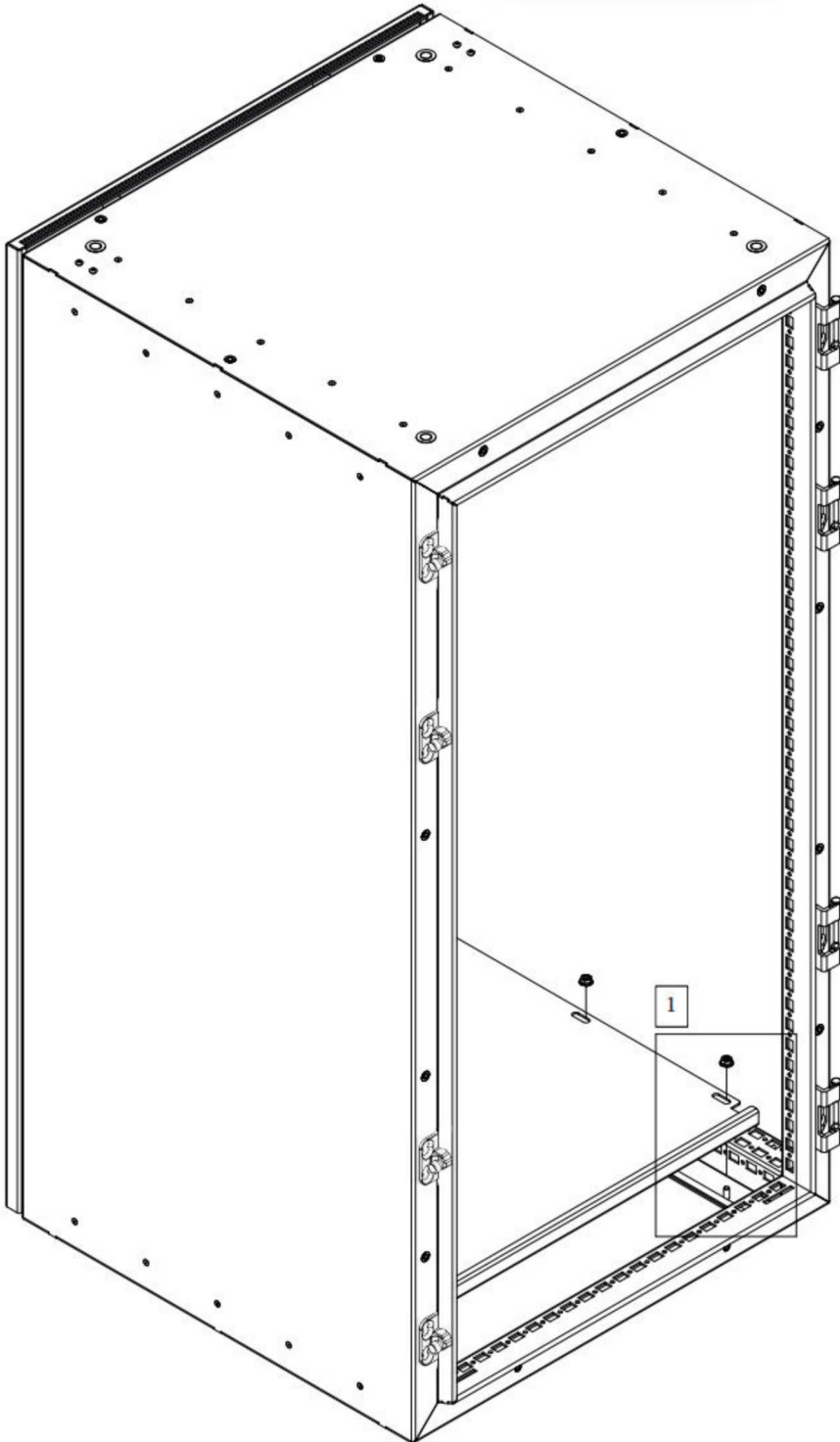


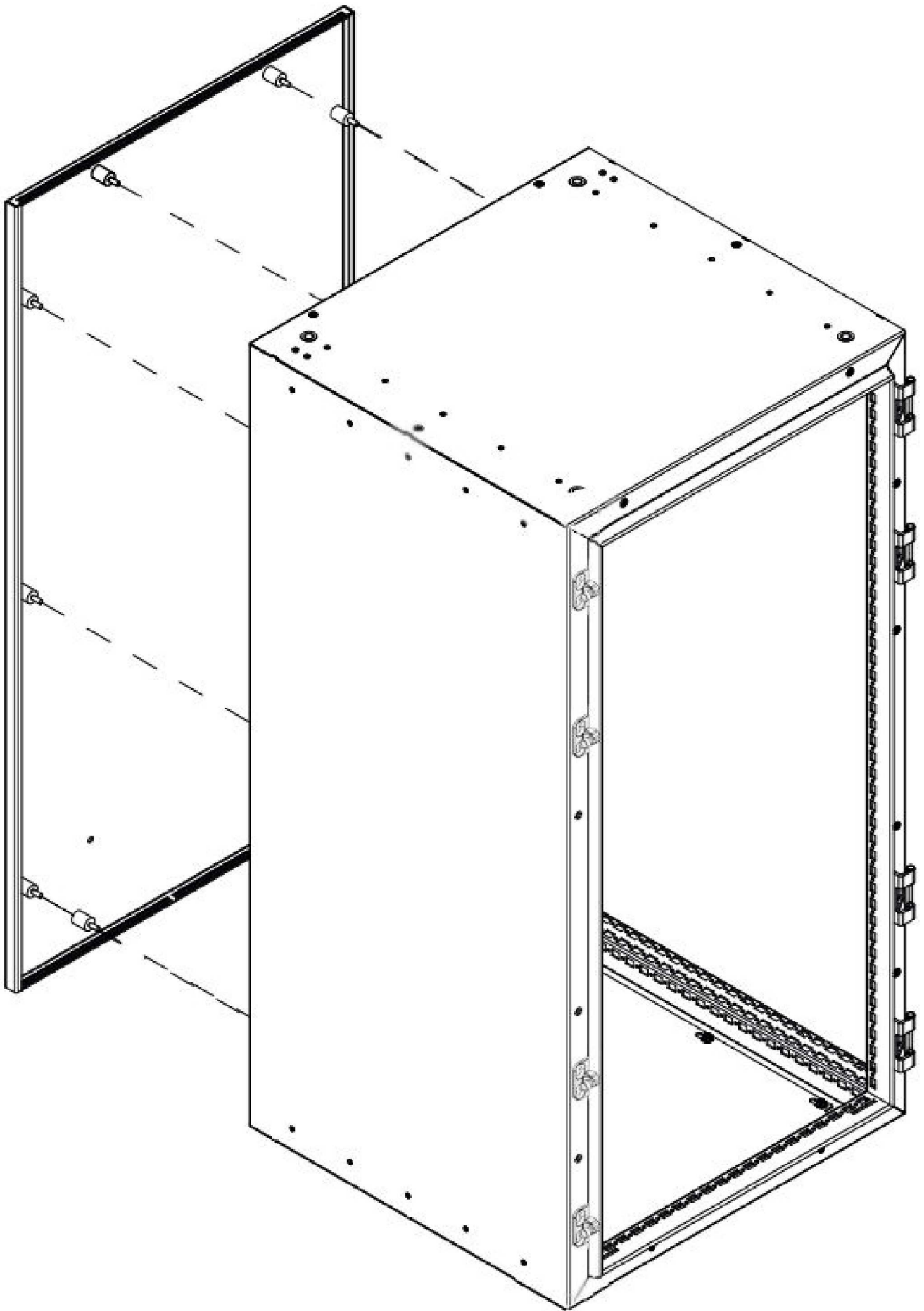
Pic.	Qty.
 M5x10	2
 M6	6
 M6	6





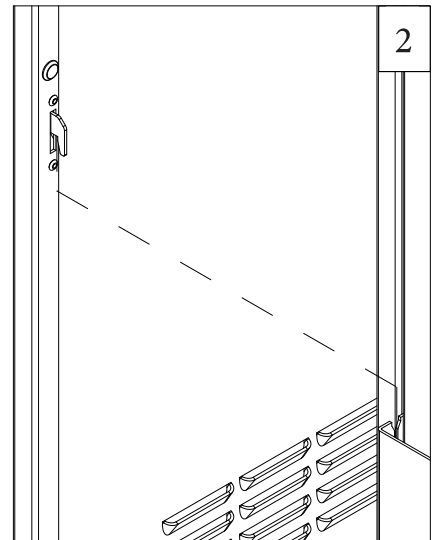
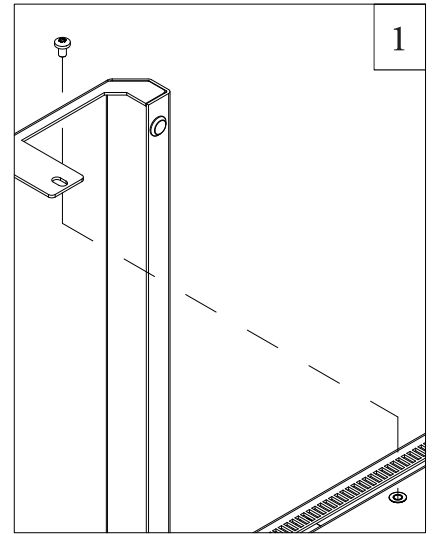
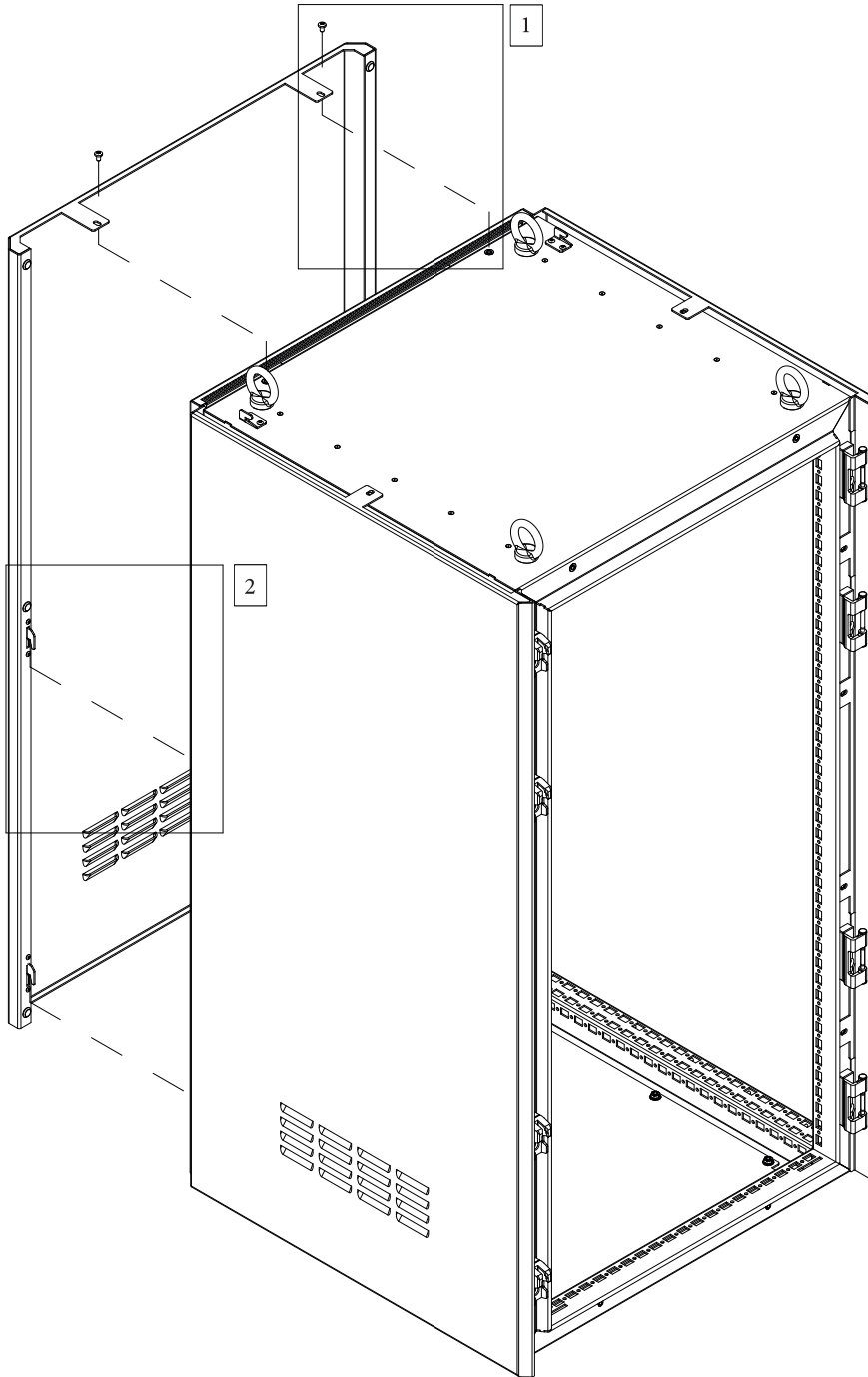
Pic.	Qty.
	6





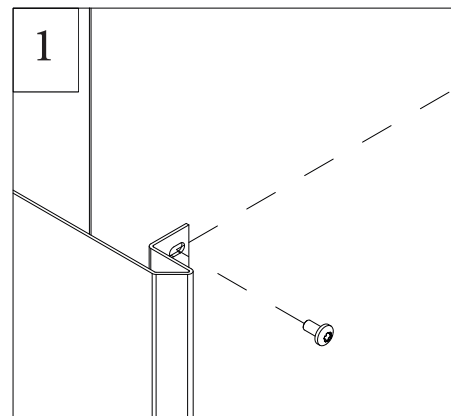
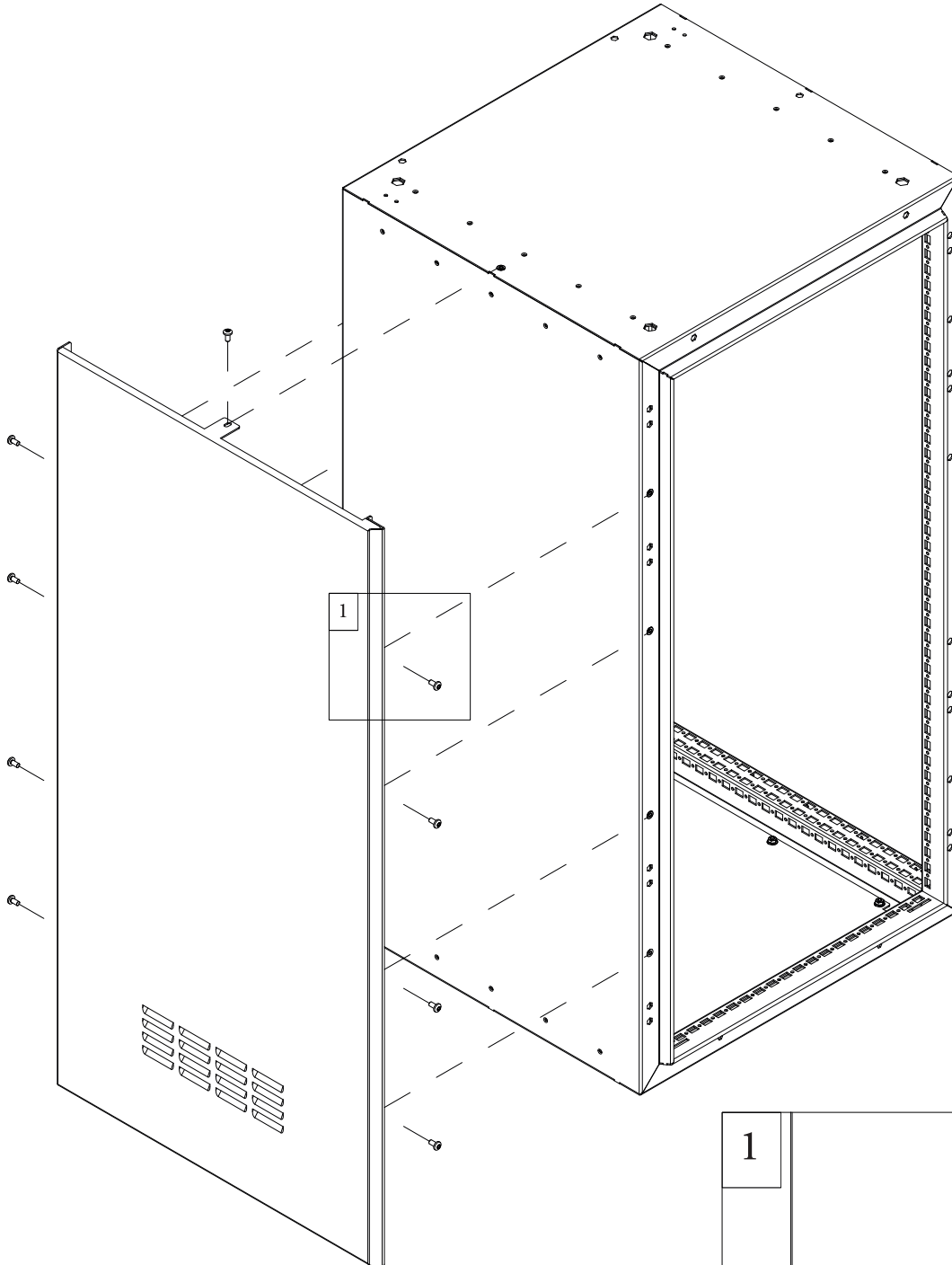


Pic.	Qty.
M6x6	2






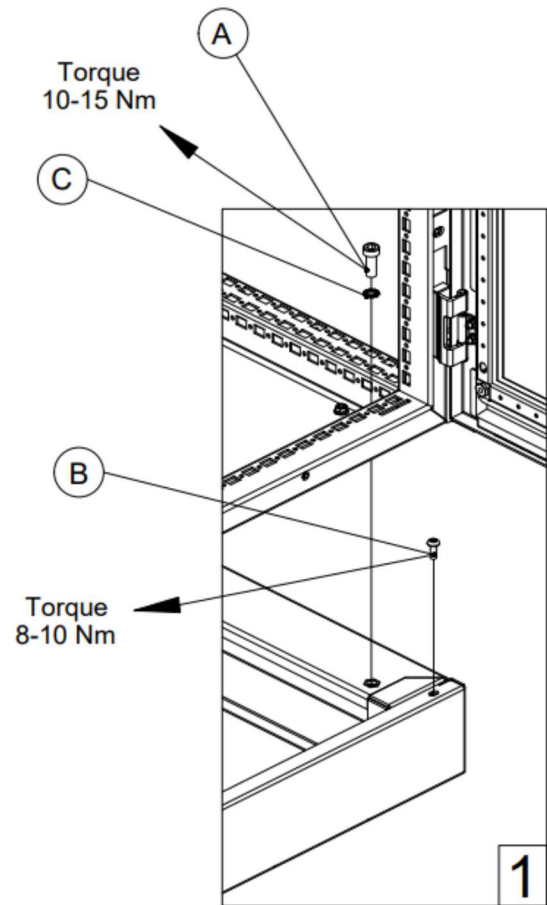
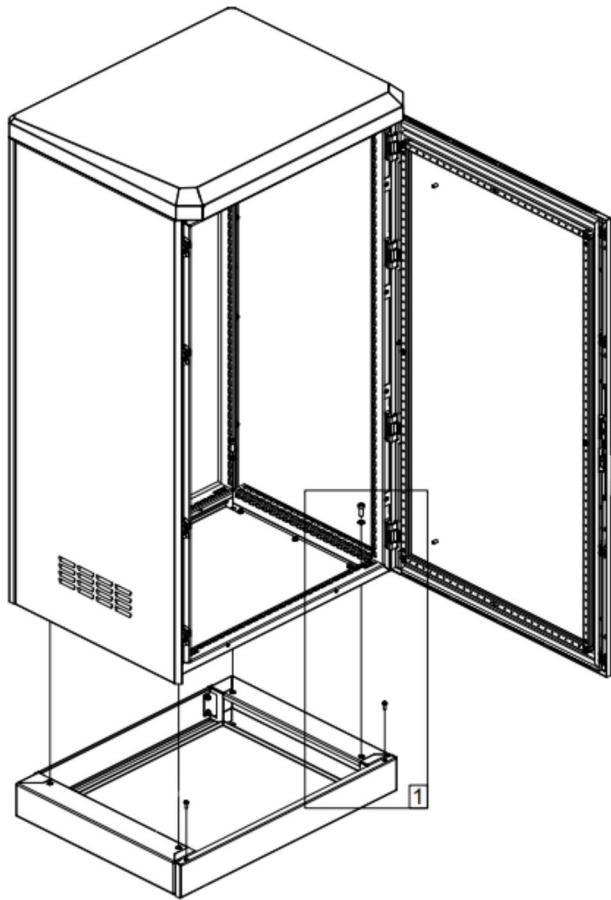


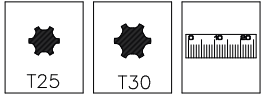
Pic.	Qty.
M6x6	9



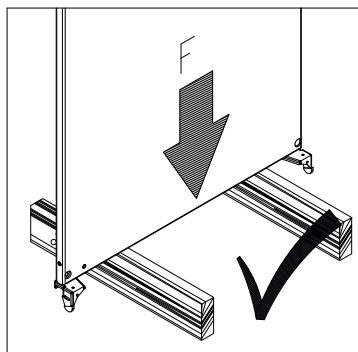
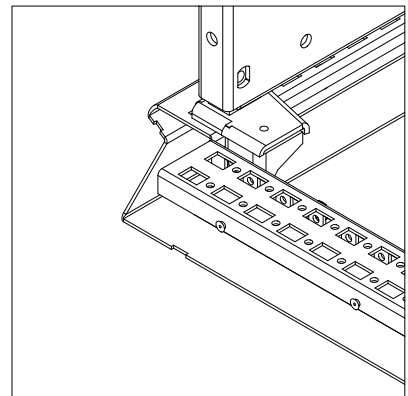
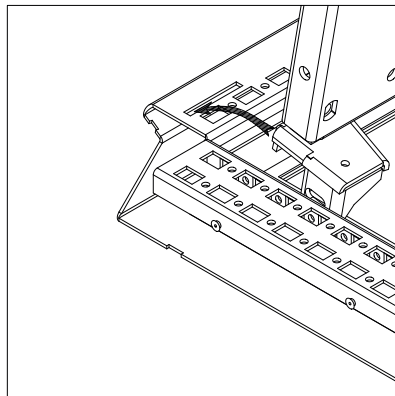
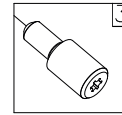
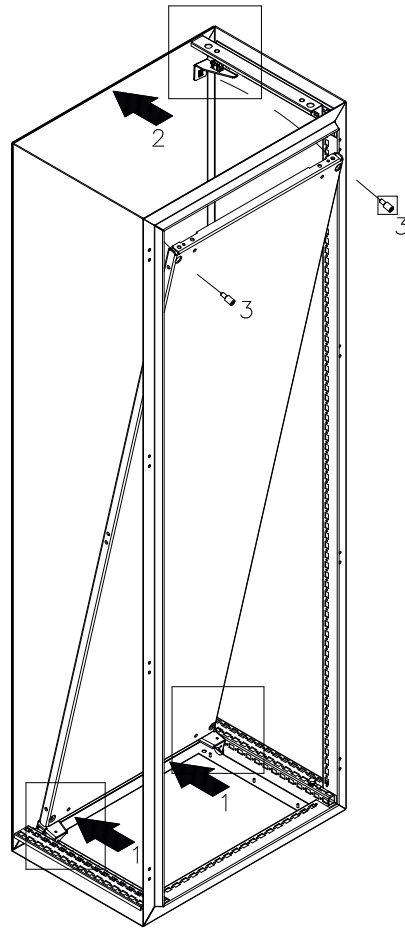
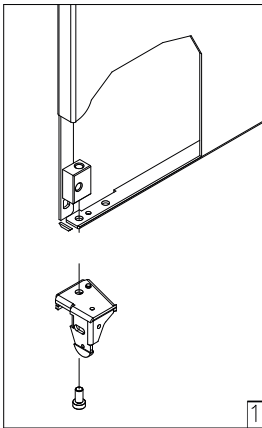
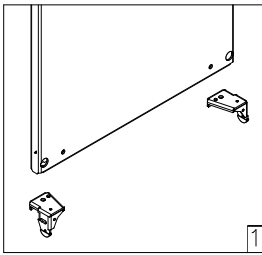
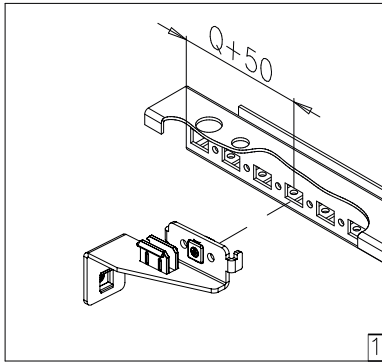


Ref.	Pic.	Qty.
A	 M10x25	4
B	 M6x16	2
C	 M10	4

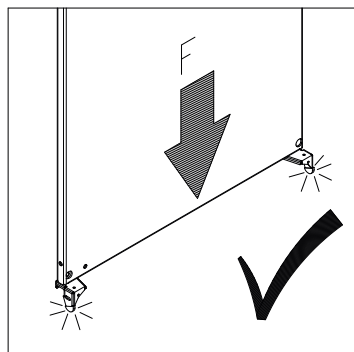




Pic.	Qty.
M8x16	2
M8x16	2
M6x12	2




$F > 1000N$

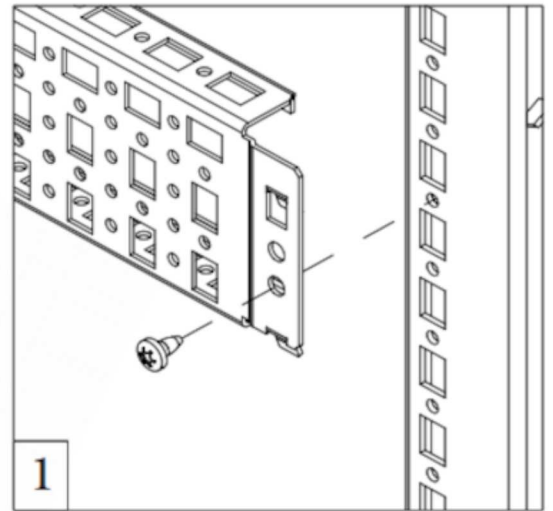
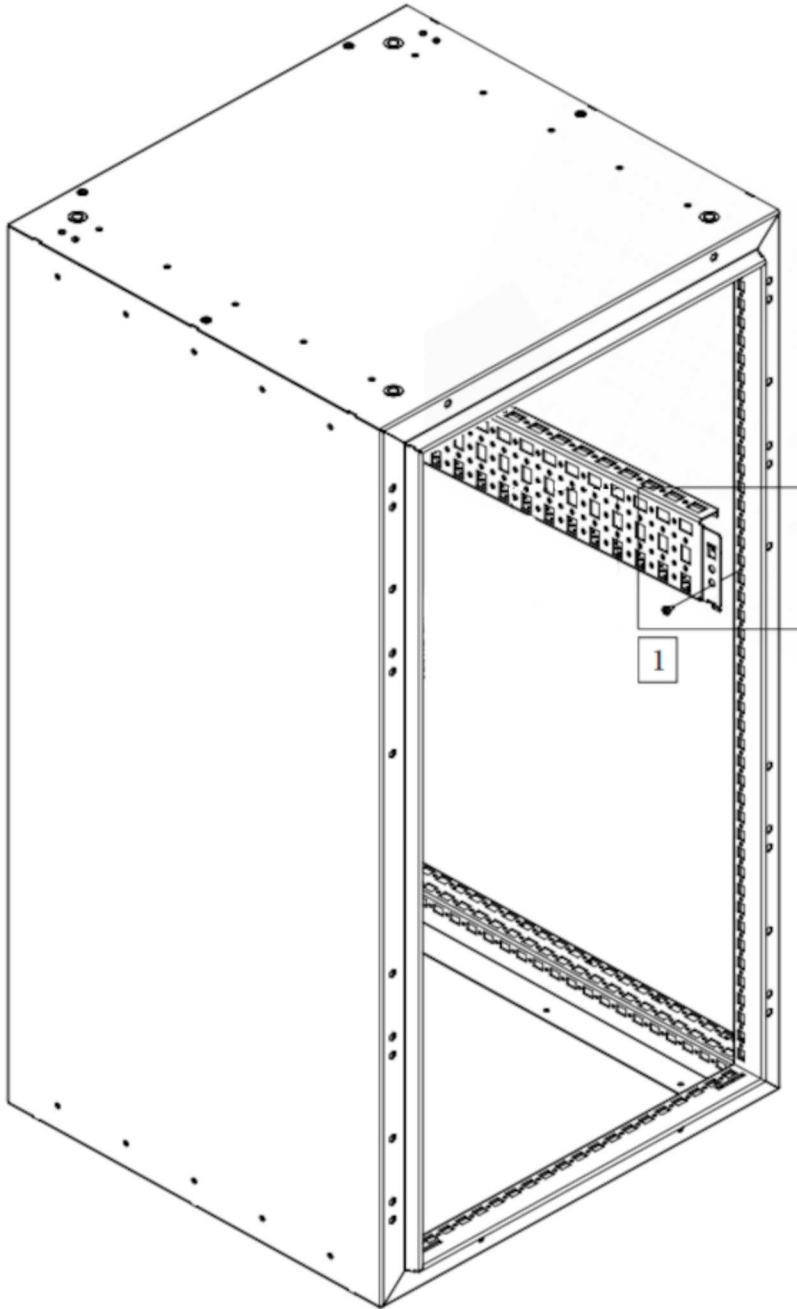


$F \leq 1000N$

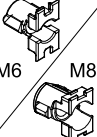


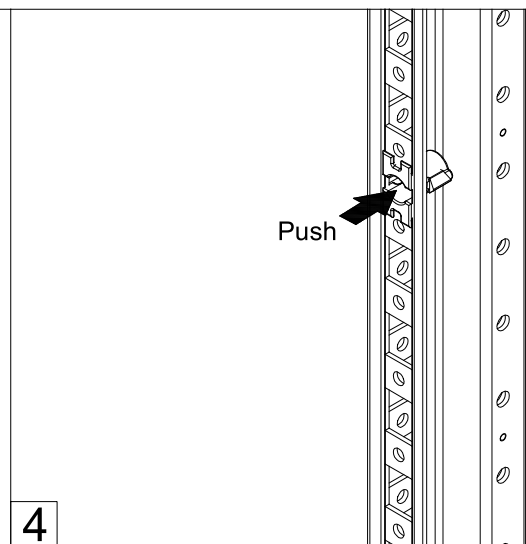
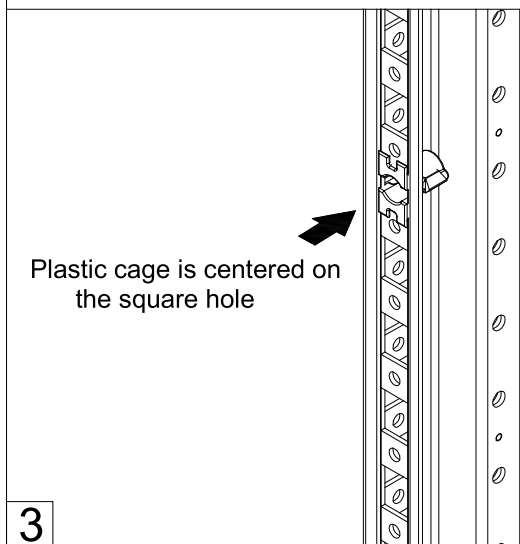
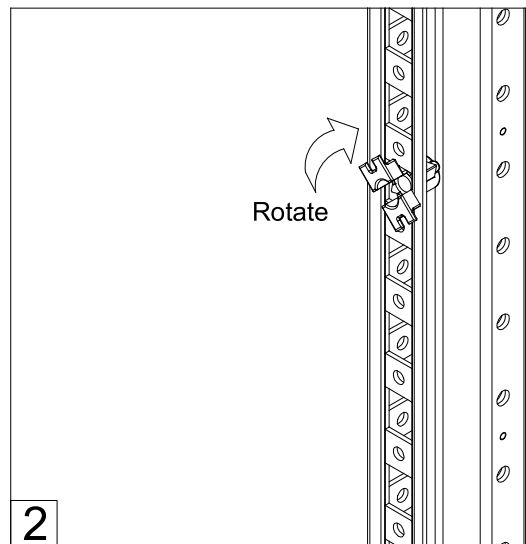
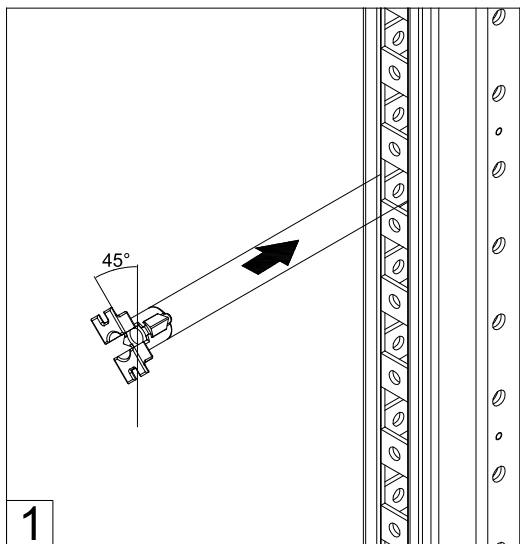
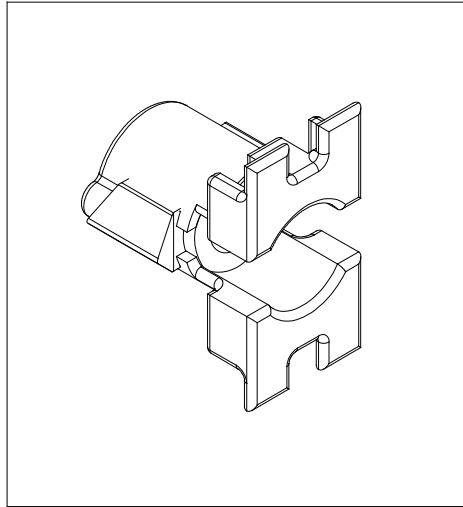


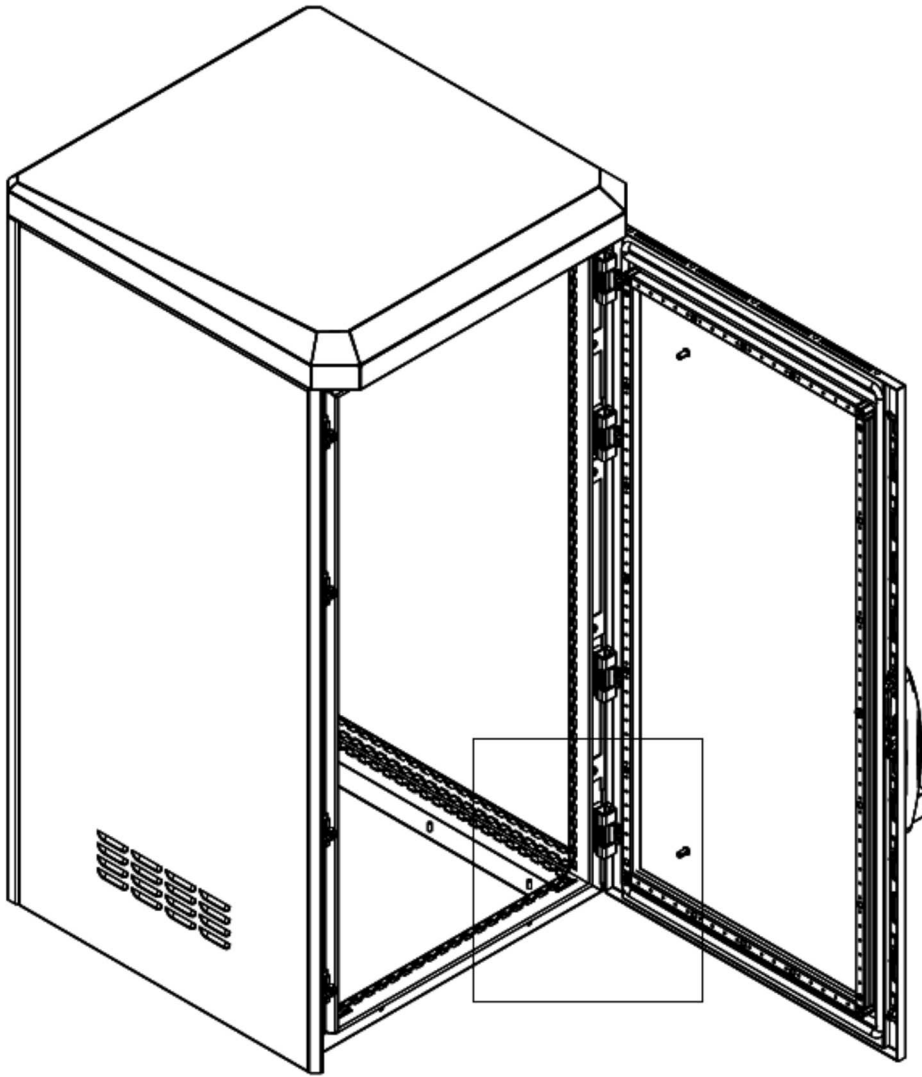
Pic.	Qty.
 M5x10	32

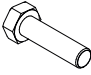




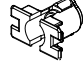


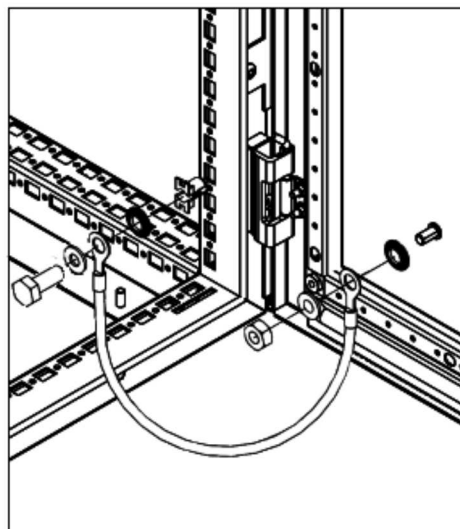
CNM


Ref.	Pic.	Qty.
A		1





Pic.		Qty.
	M8x25	3
	M8	4
	M8	3
	M8	5
	M8	2
	M8	2



Pic.	Qty.
 M12	4

