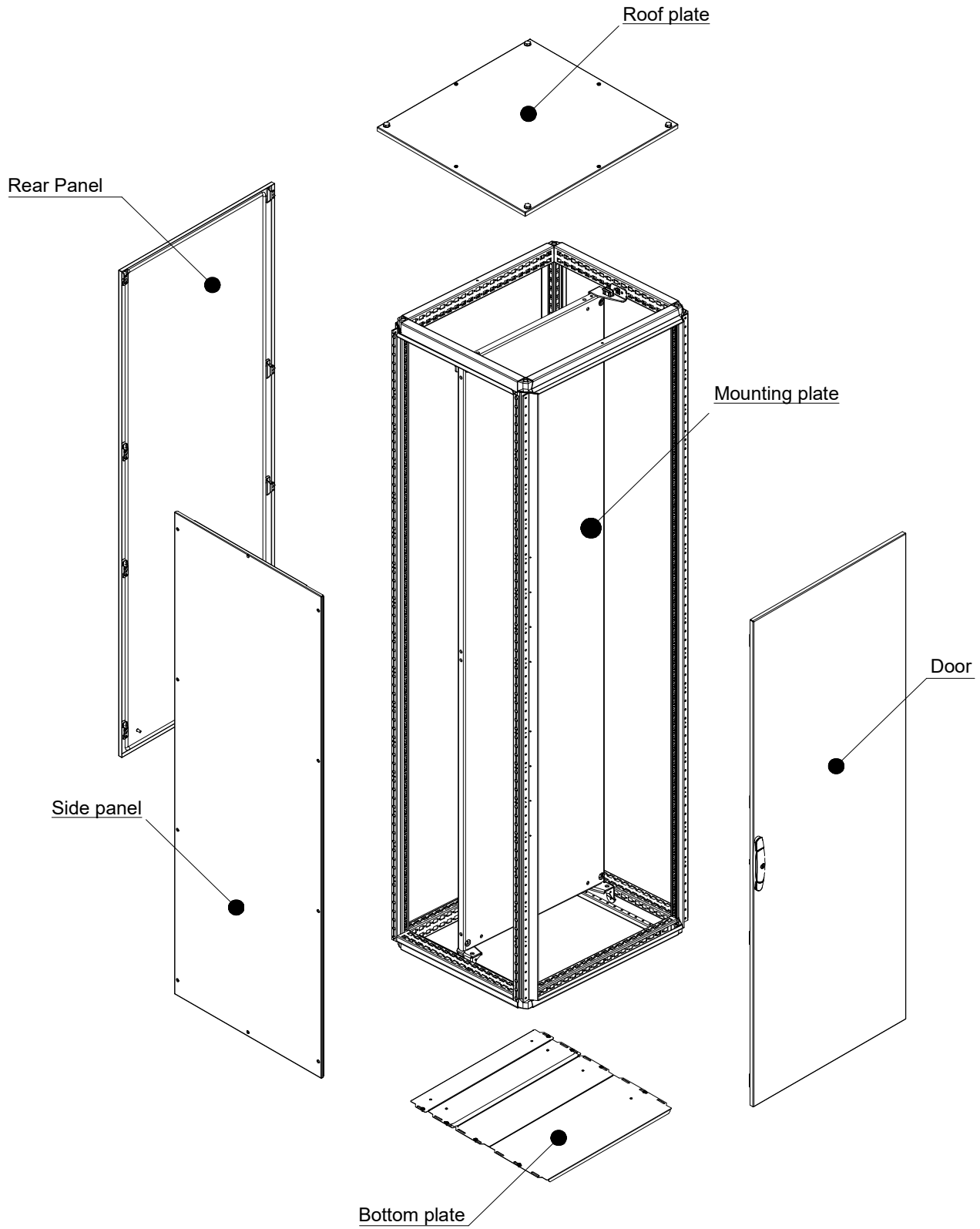
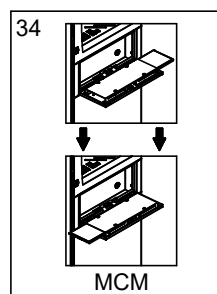
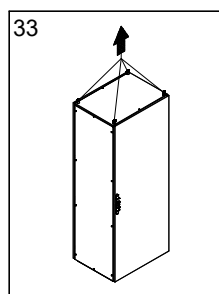
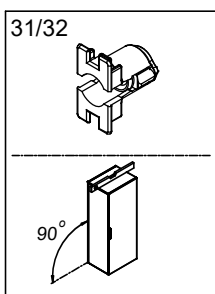
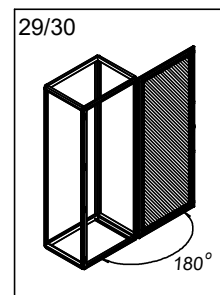
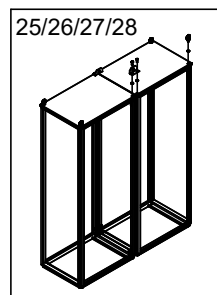
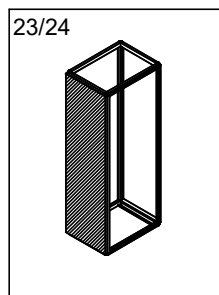
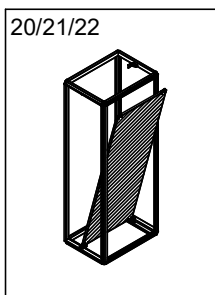
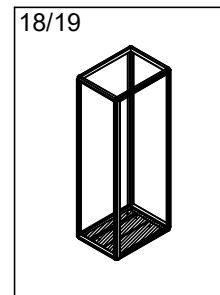
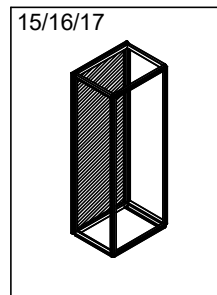
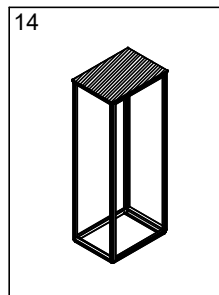
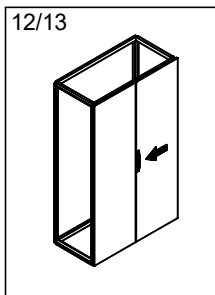
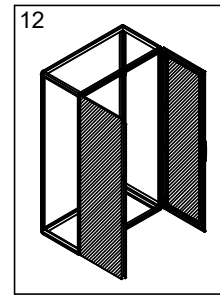
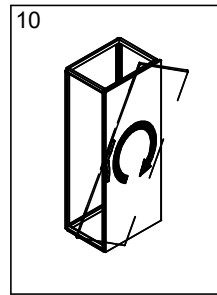
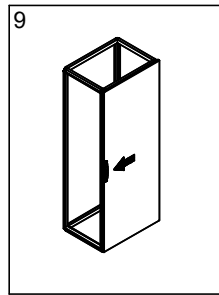
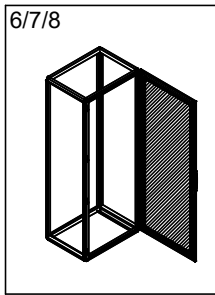
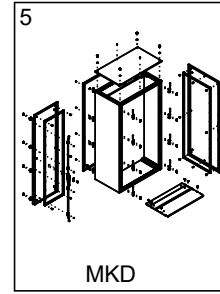
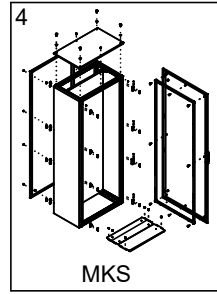
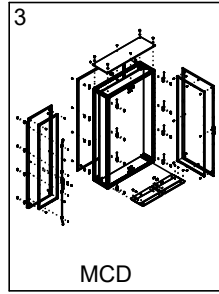
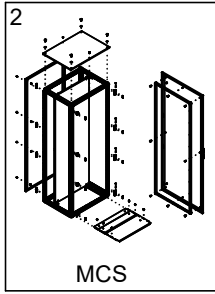


Floor standing enclosures Combinable and compact version

MOUNTING INSTRUCTIONS
7697-0262-01 REV. 23



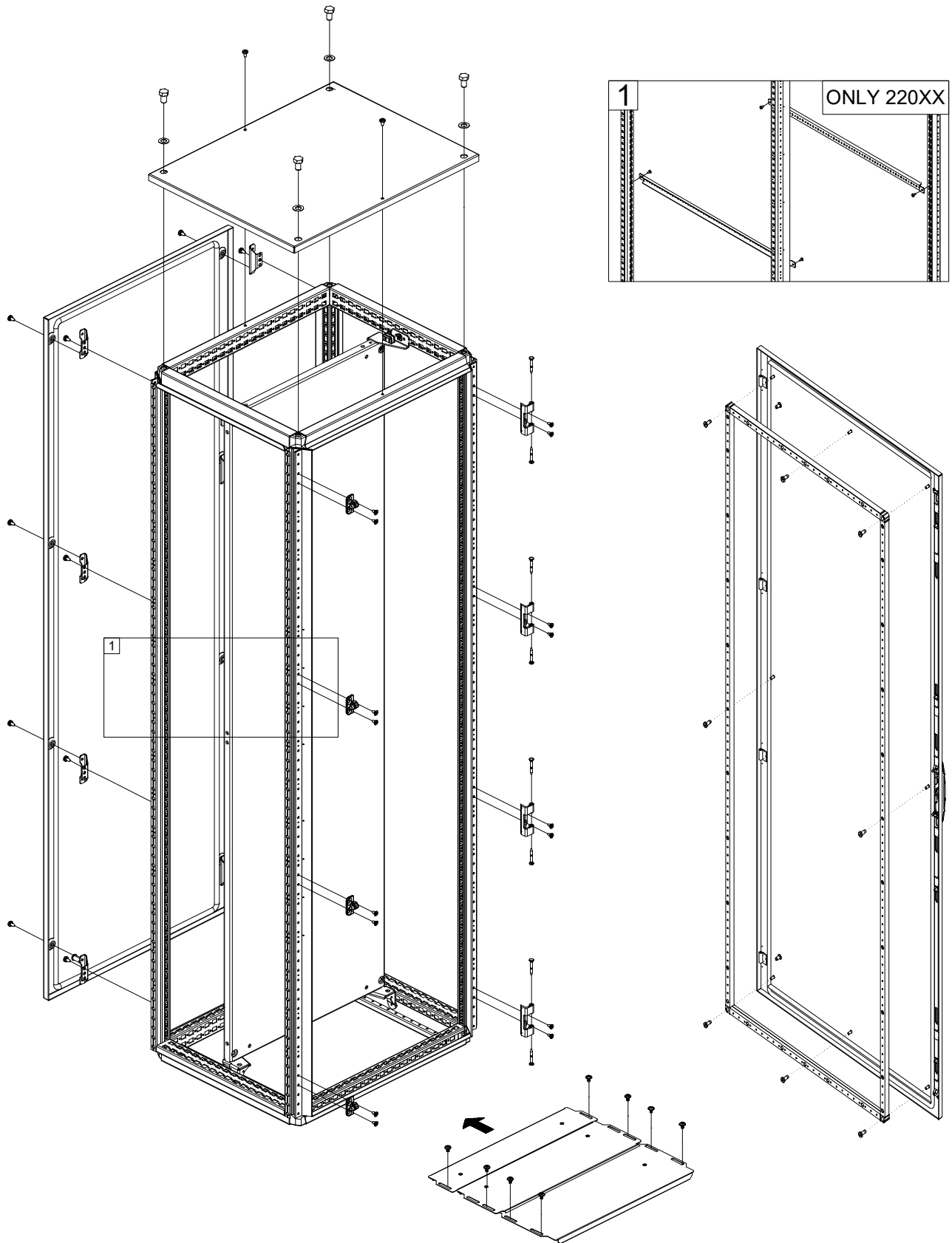




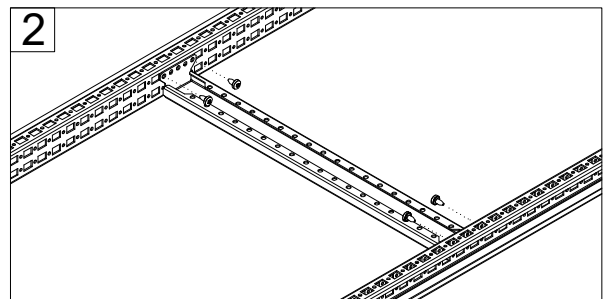
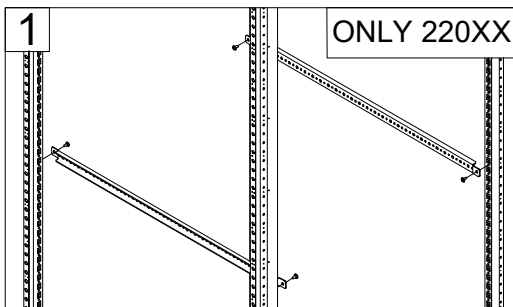
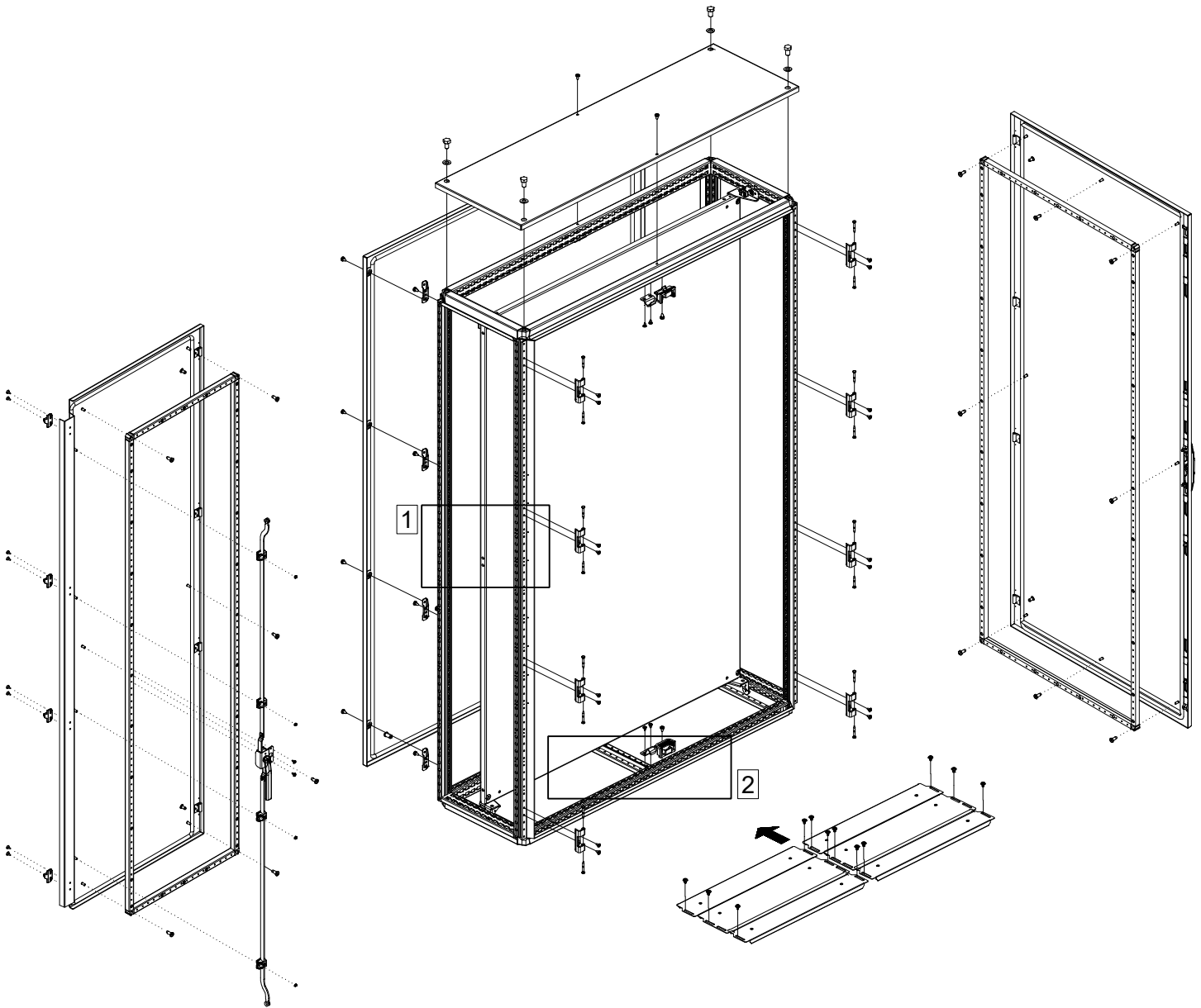
WARNING: When mounting on or over a combustible surface, a floor plate of at least 1.43 mm galvanized or 1.6 mm uncoated steel extended at least 150 mm beyond the equipment on all sides must be installed.

WARNING: In order to maintain the environmental integrity of the enclosure, devices with the same environmental ratings shall be used to close openings in customized enclosure.

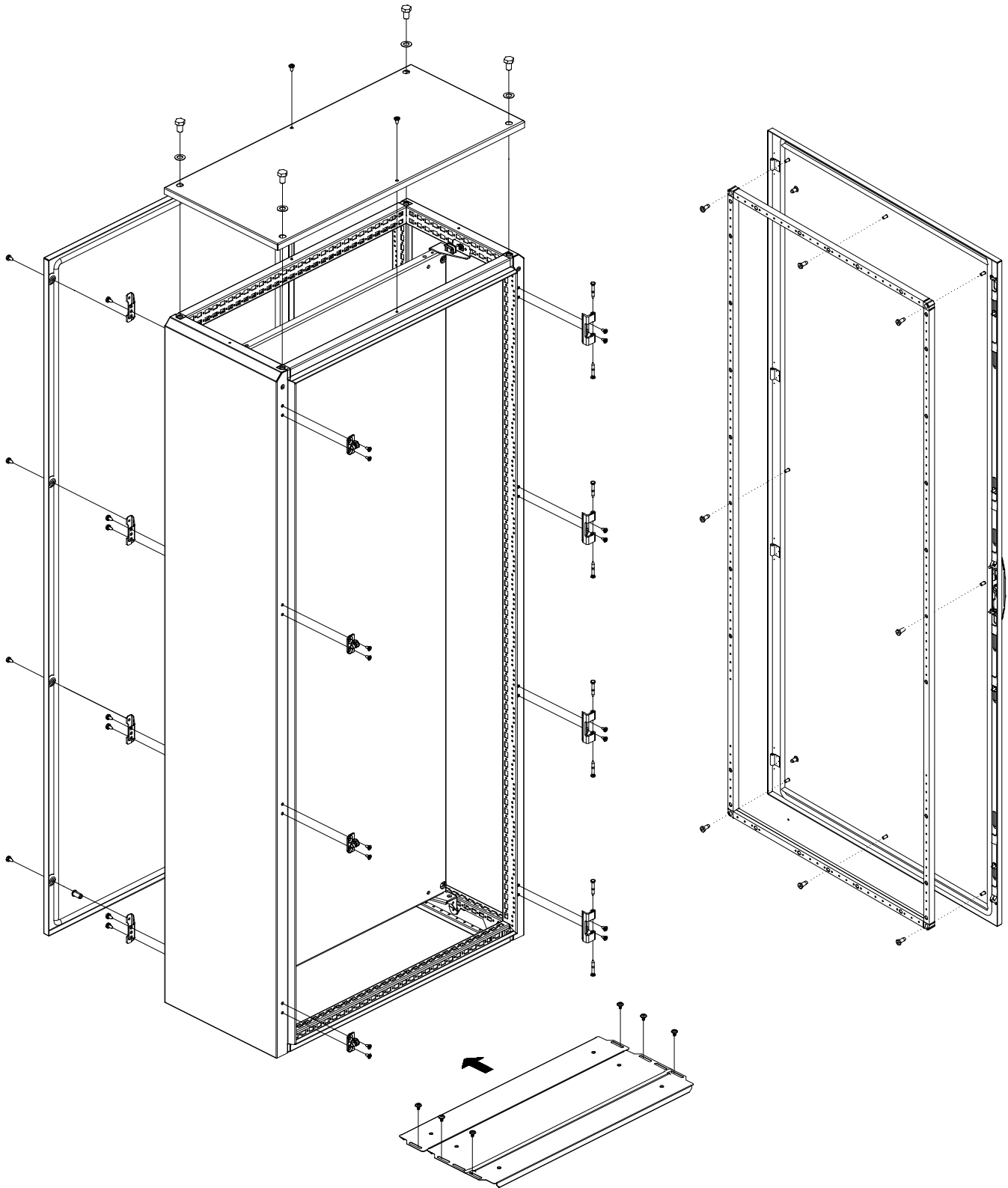
MCS



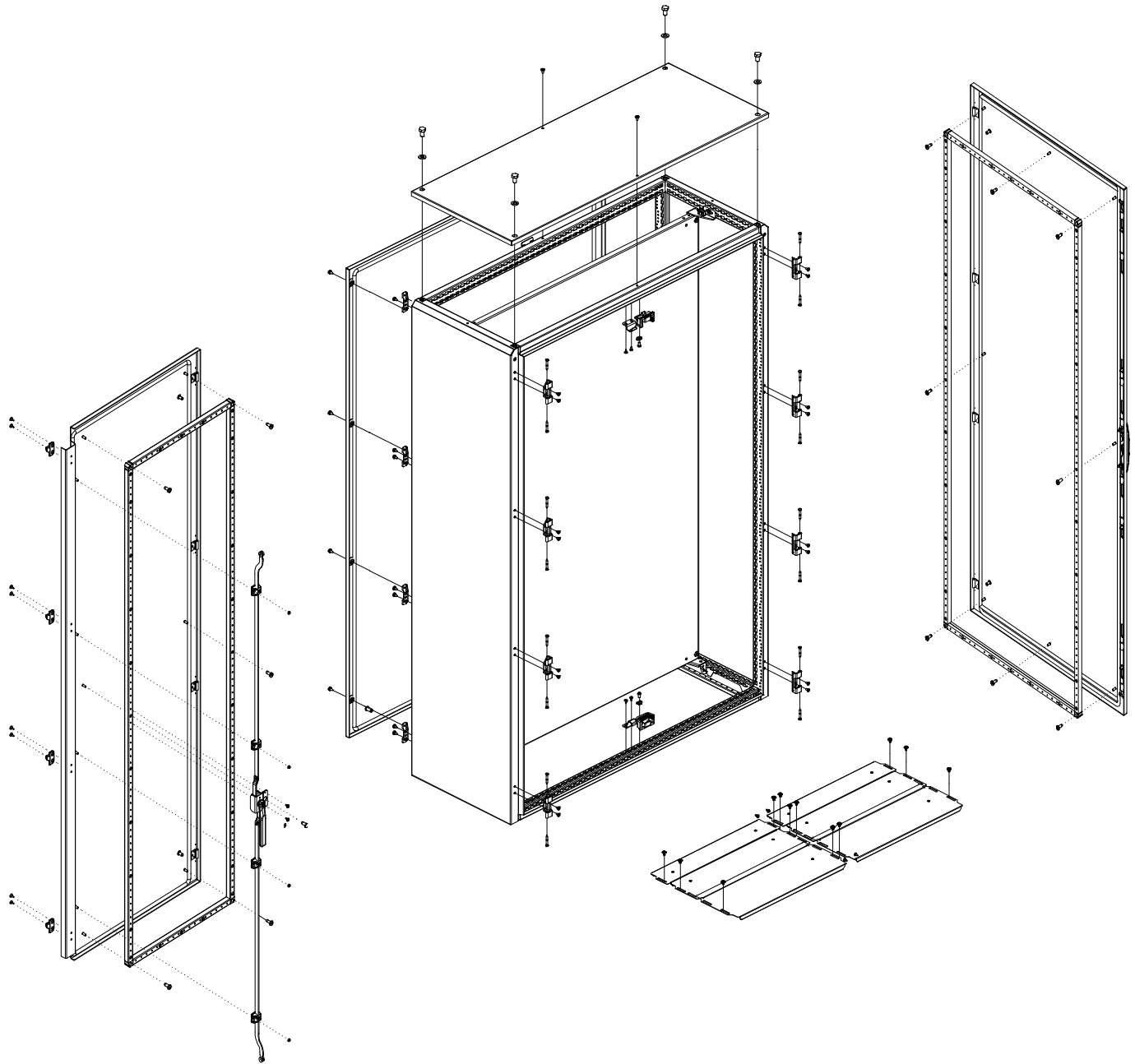
MCD



MKS



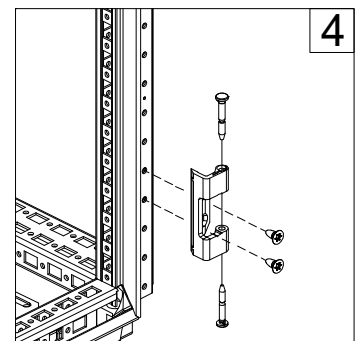
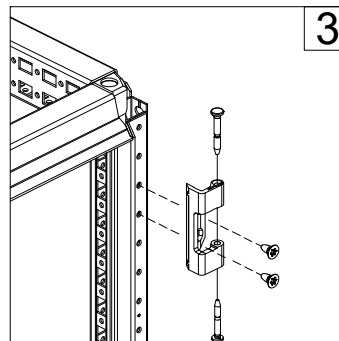
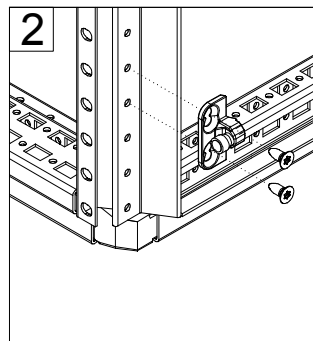
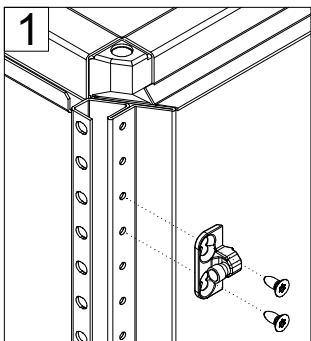
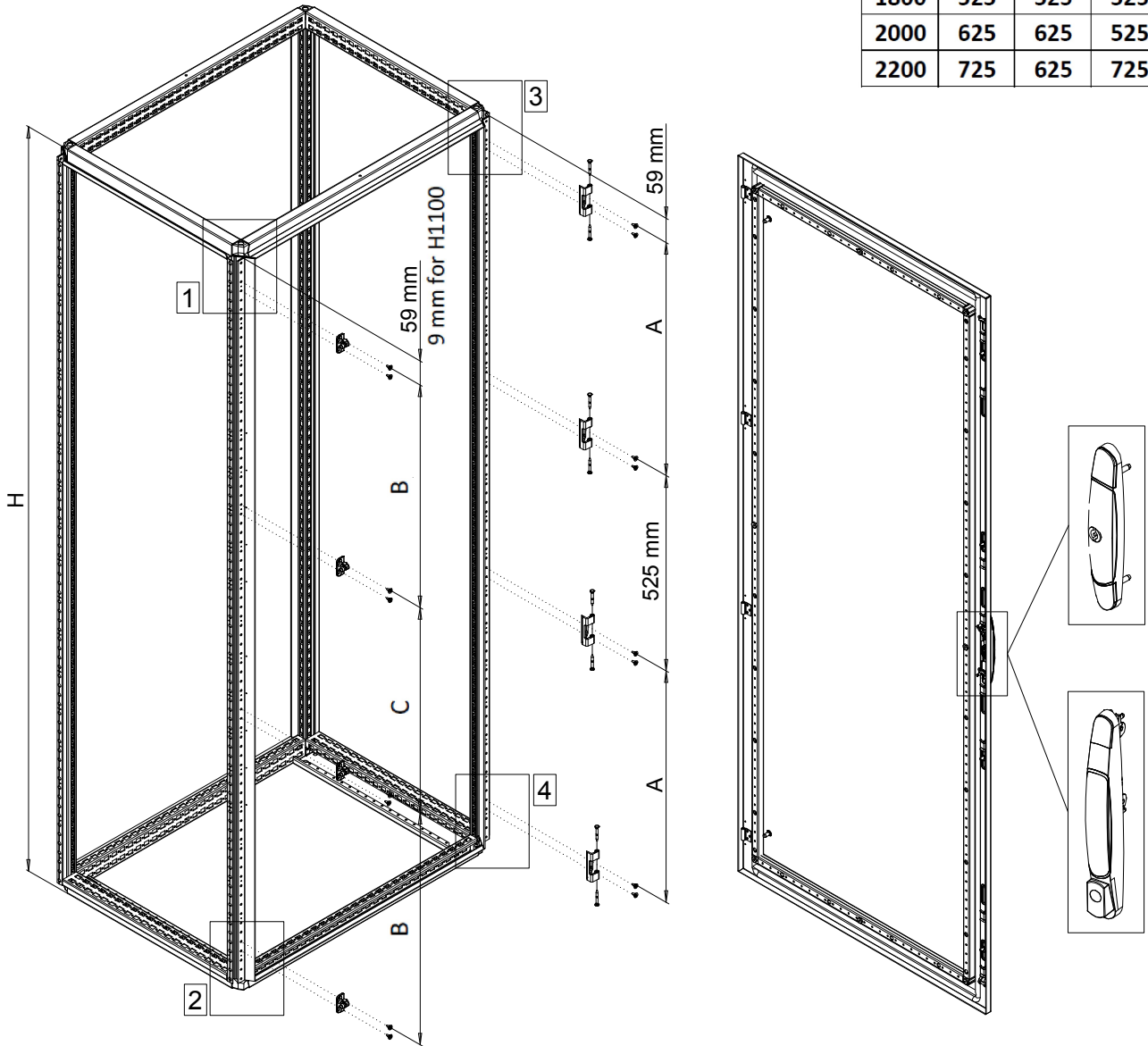
MKD





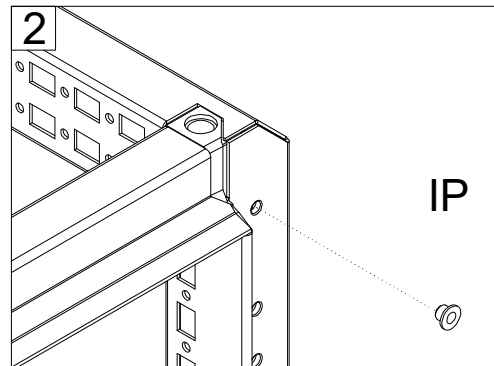
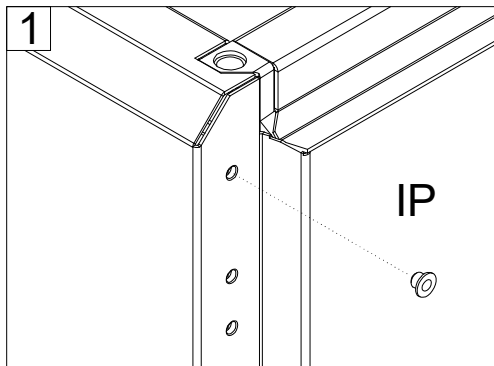
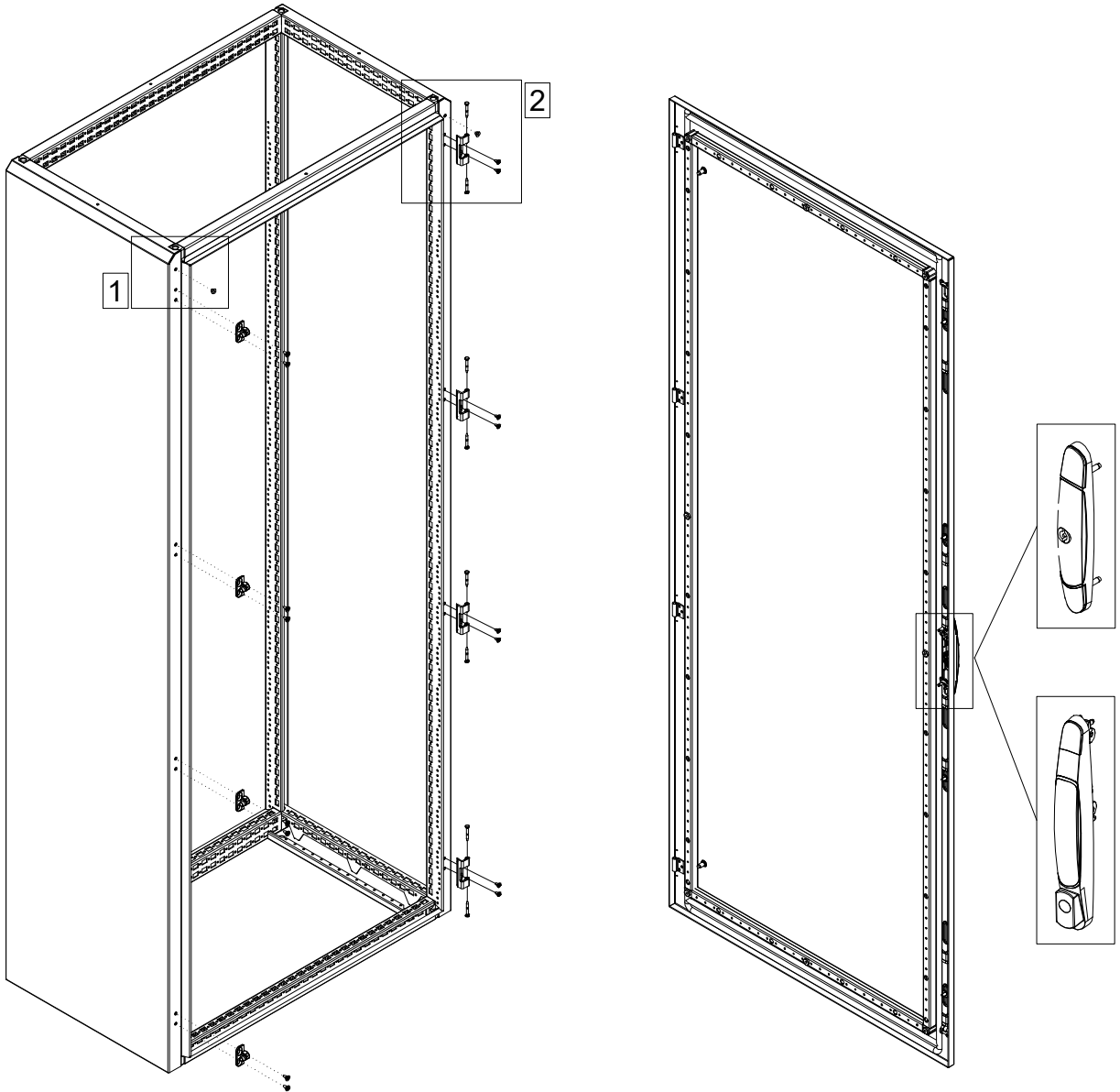
COMBINABLE ENCLOSURE

H	A	B	C
1100	175	275	425
1400	325	325	525
1600	425	425	525
1800	525	525	525
2000	625	625	525
2200	725	625	725





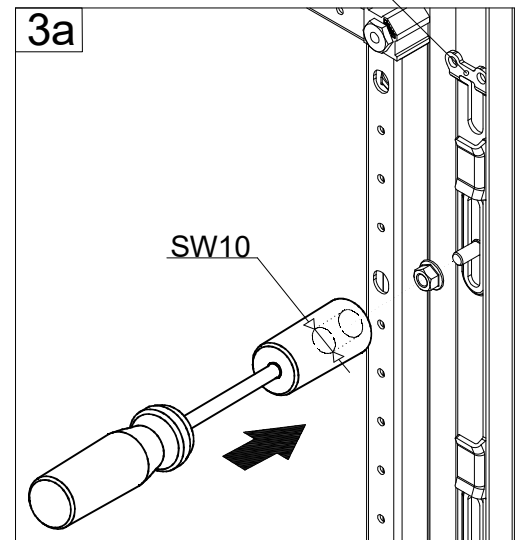
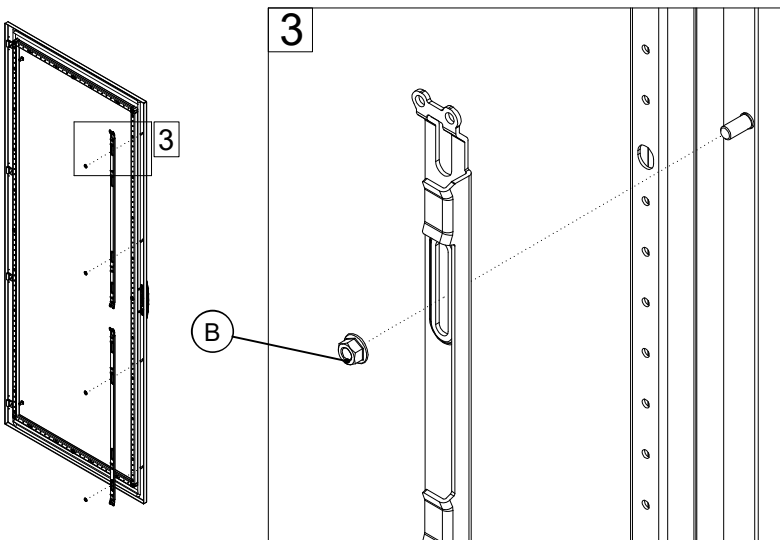
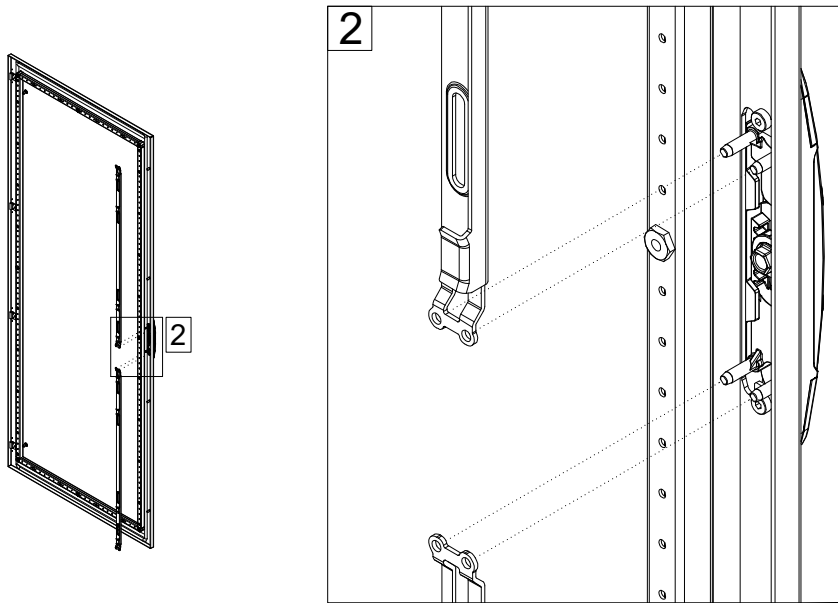
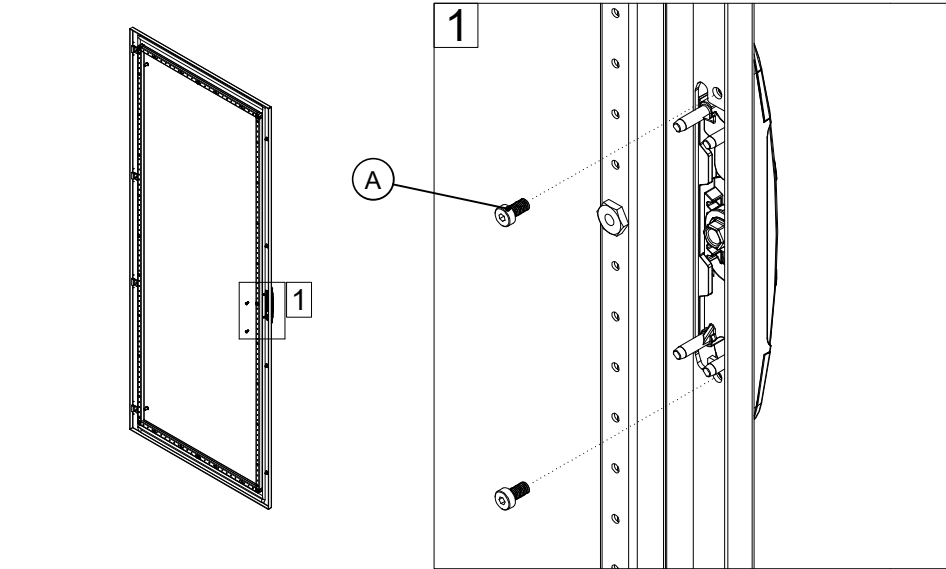


COMPACT ENCLOSURE





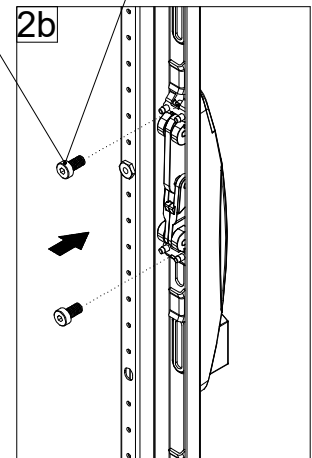
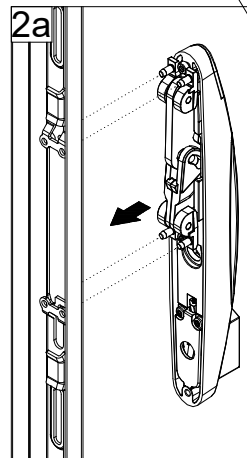
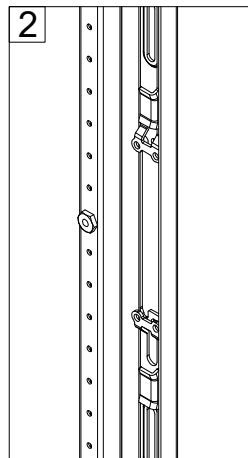
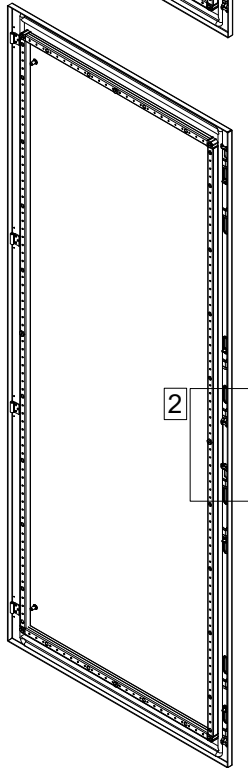
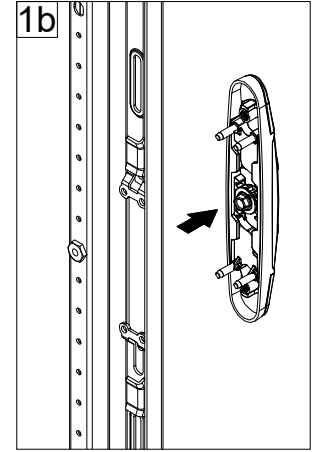
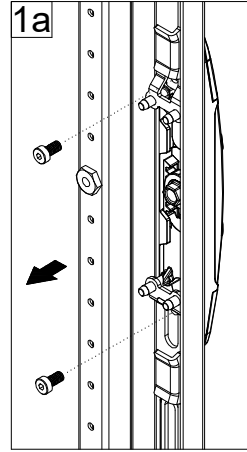
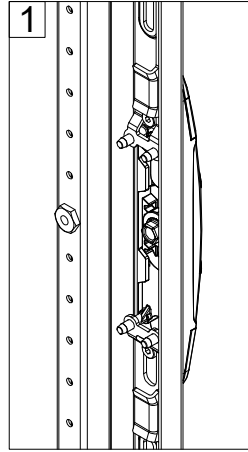
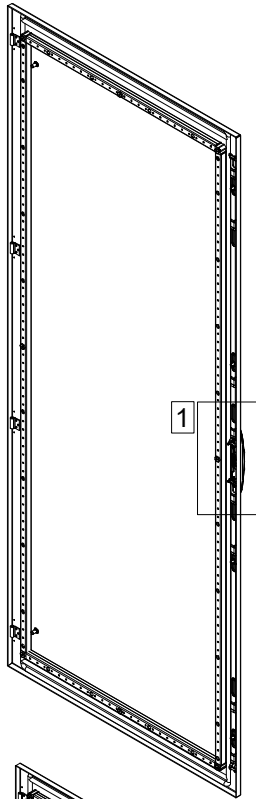
Ref.	Pic.	Qty.
A	 M5x10	2
B	 M5	4



Metal Guider



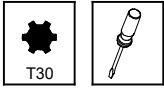
MOUNTING THE LIFT HANDLE



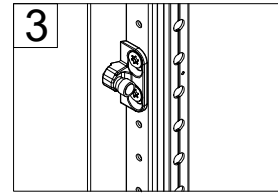
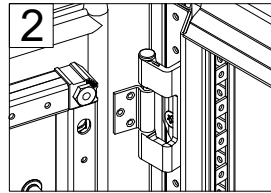
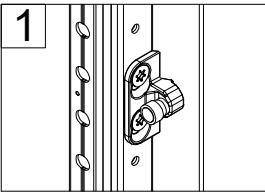
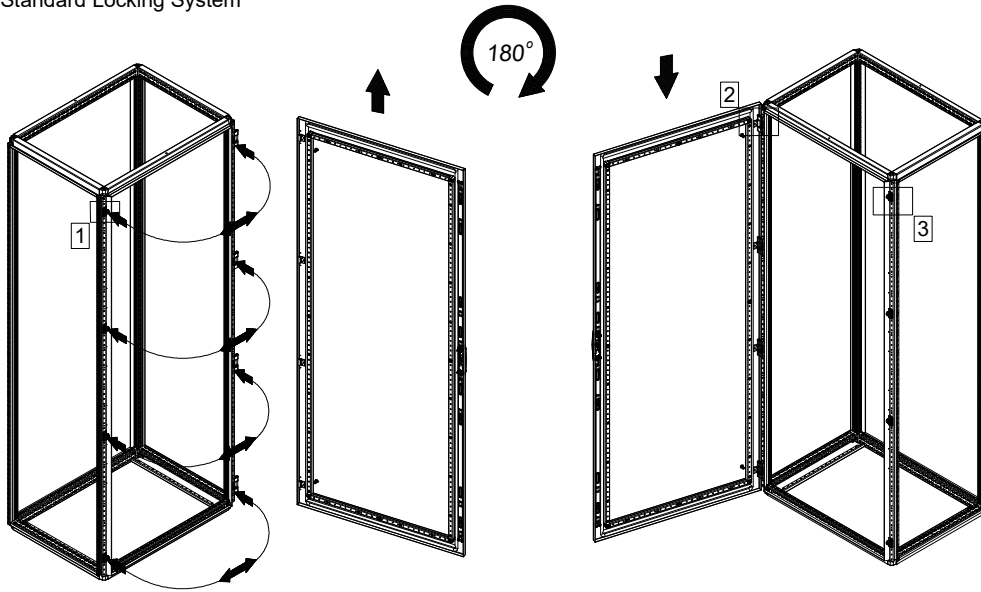
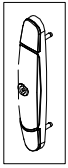
Torque
4-5.5 Nm

A

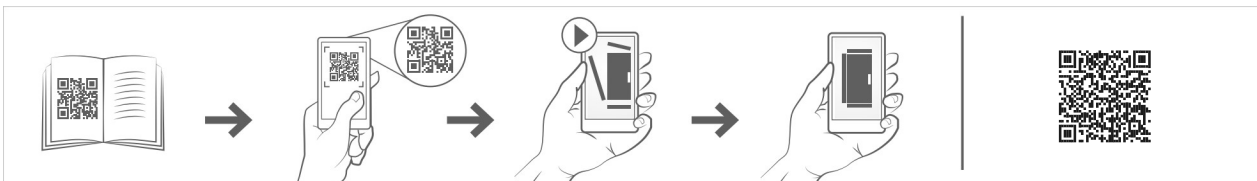
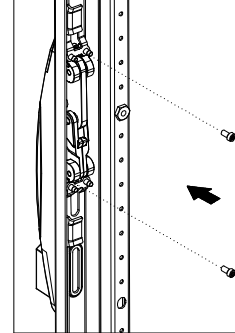
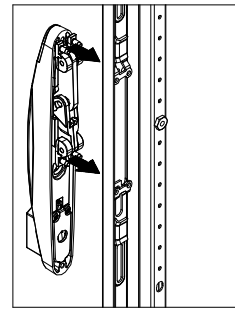
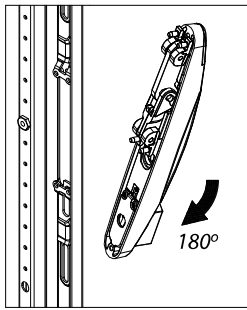
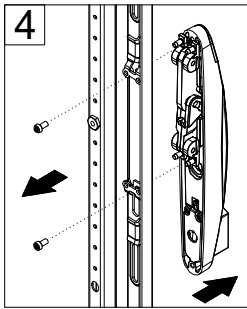
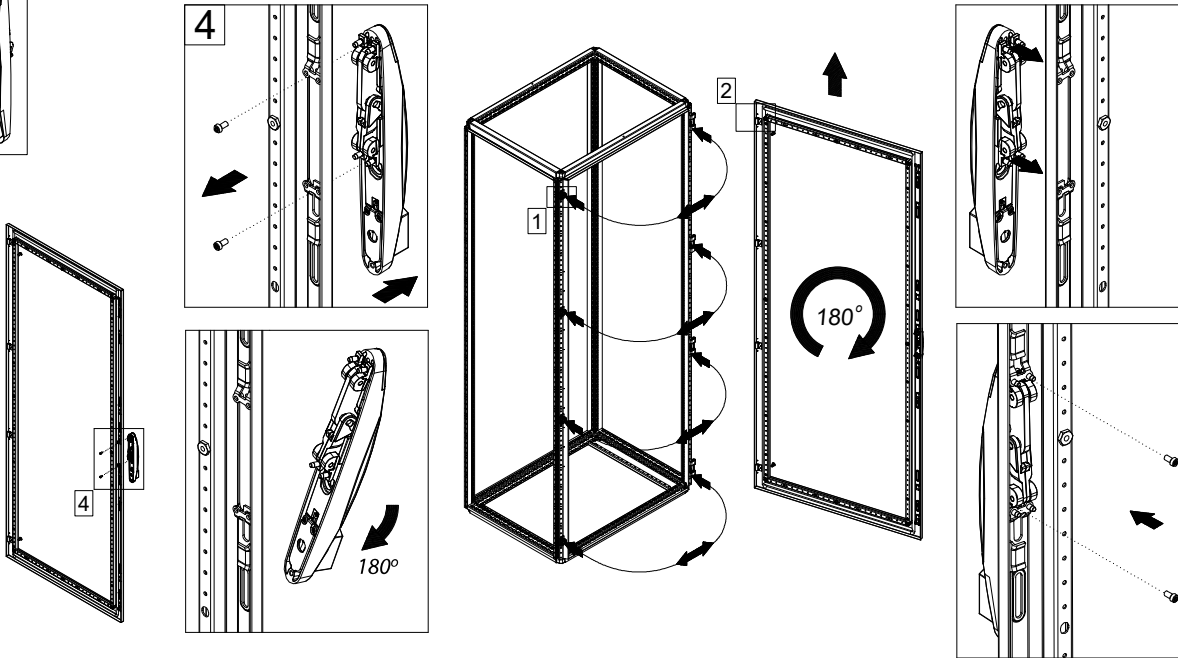
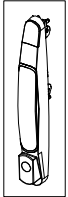




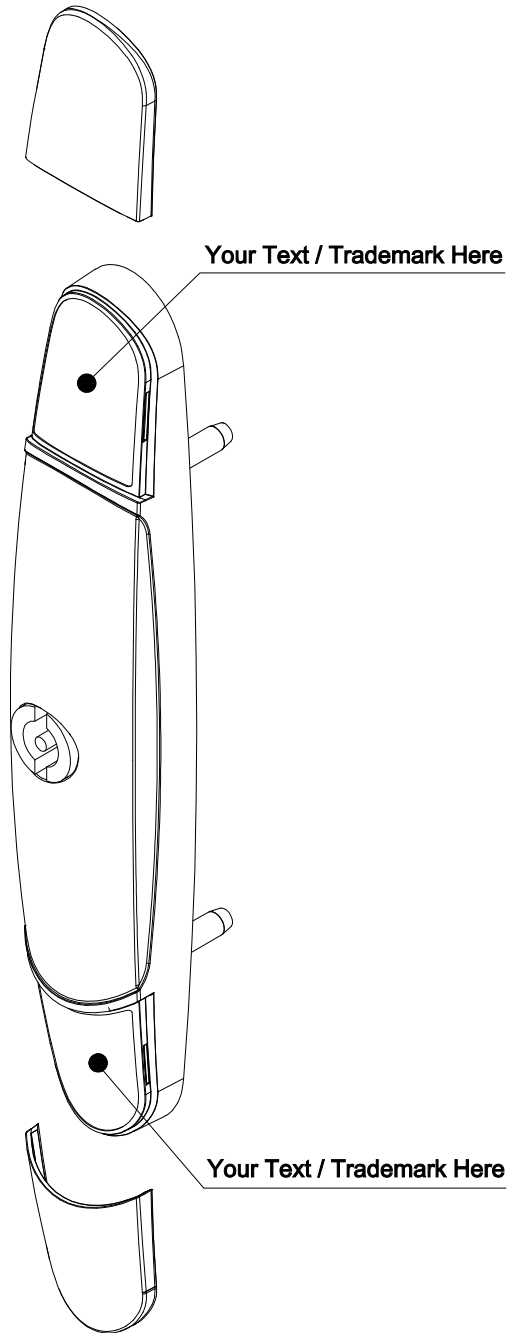
Standard Locking System



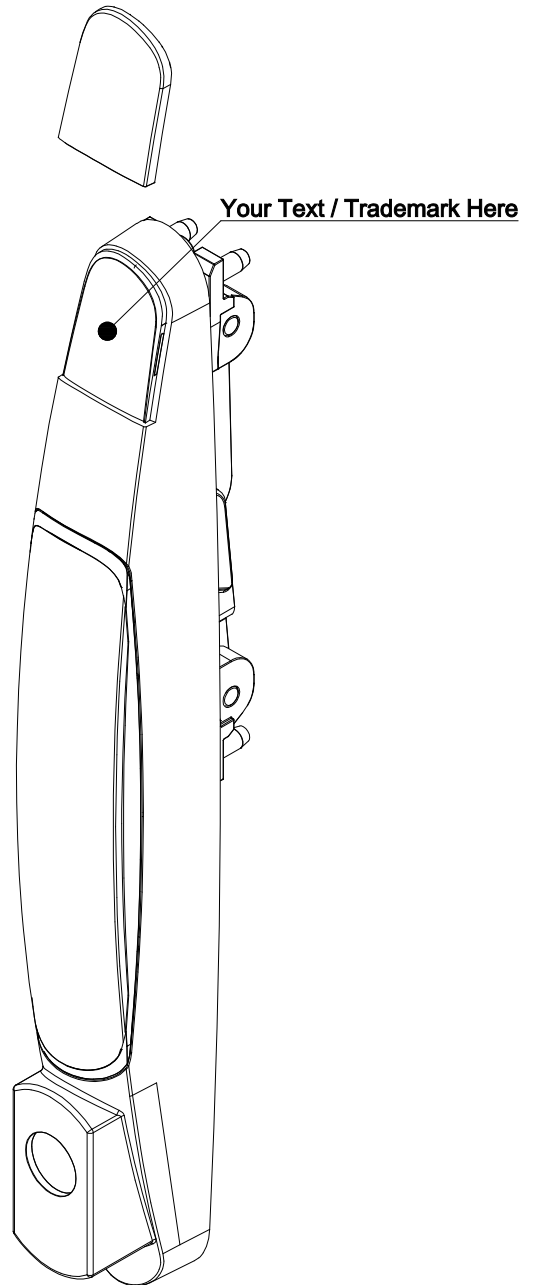
Lift Handle Locking System



Standard Locking System



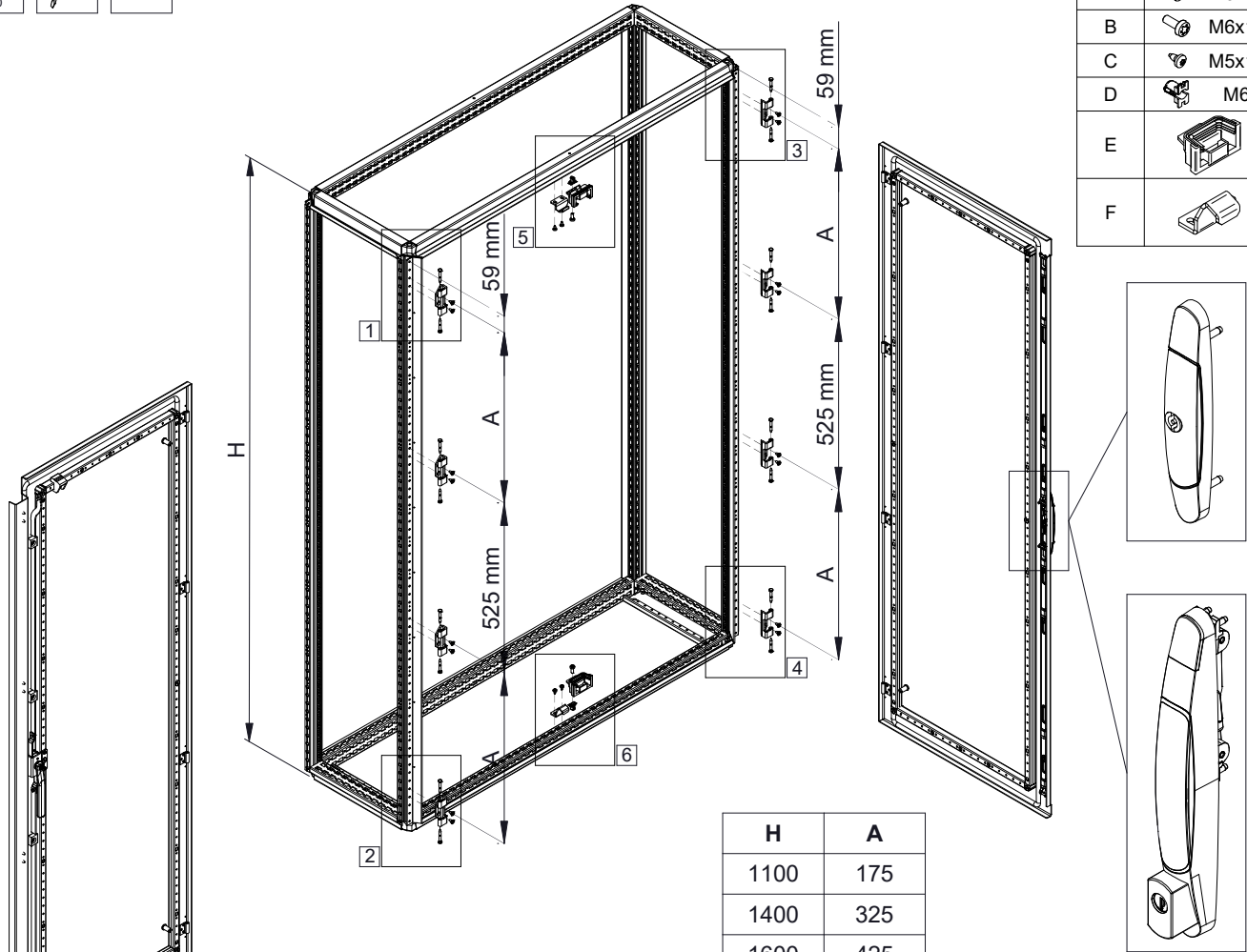
Lift Handle Locking System



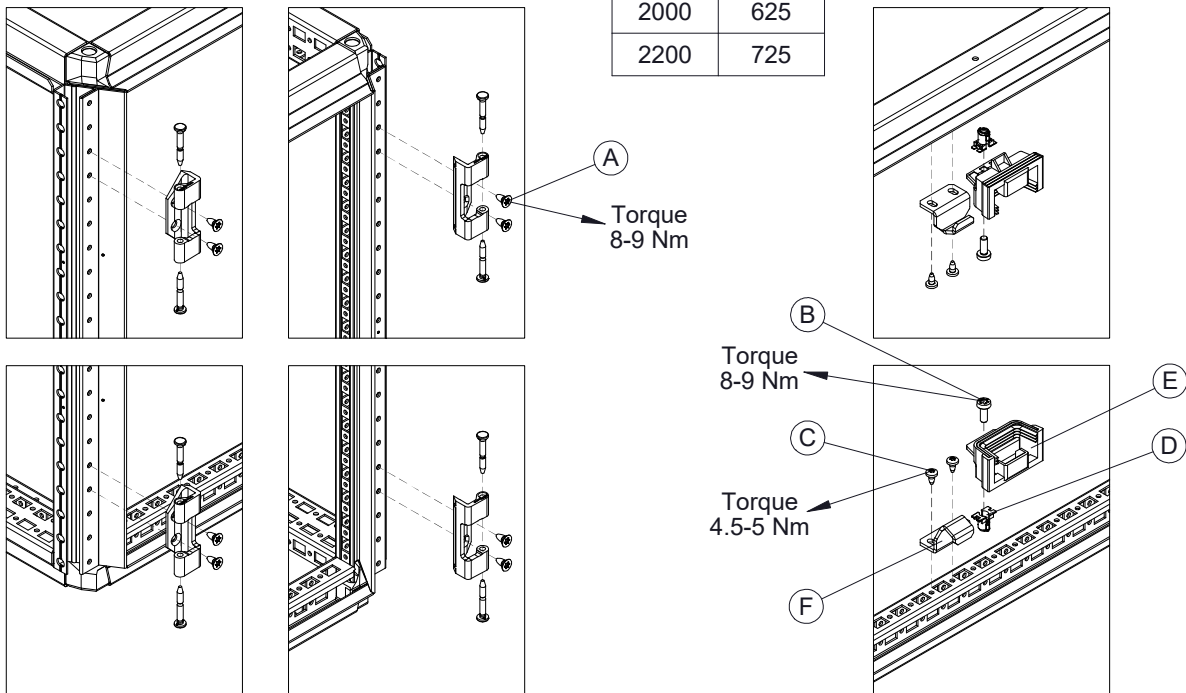
NOTE: transparent covers are ordered separately



Ref.	Pic.	Qty.
A	M6x12	16
B	M6x16	2
C	M5x10	4
D	M6	2
E		2
F		2



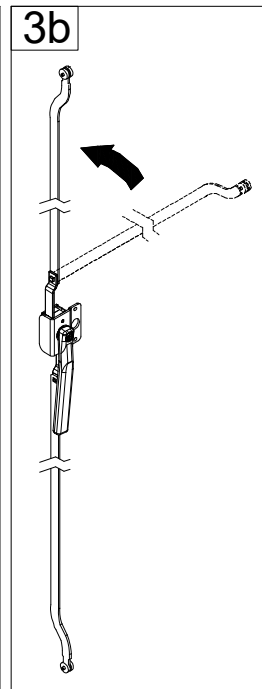
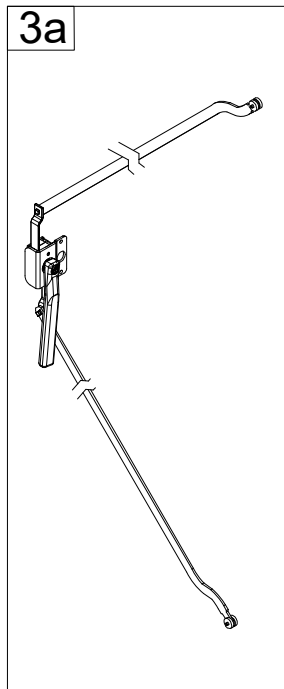
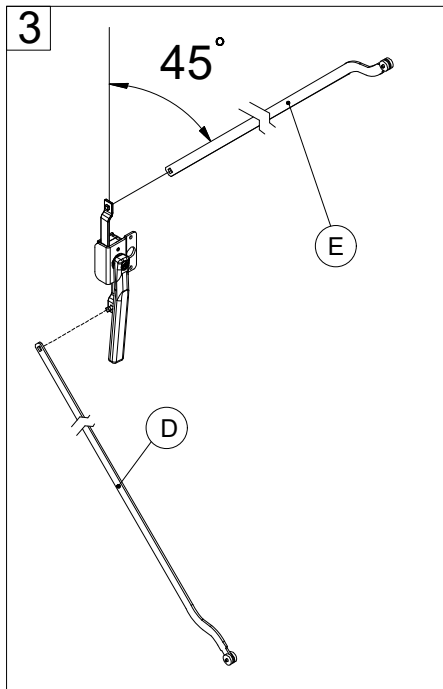
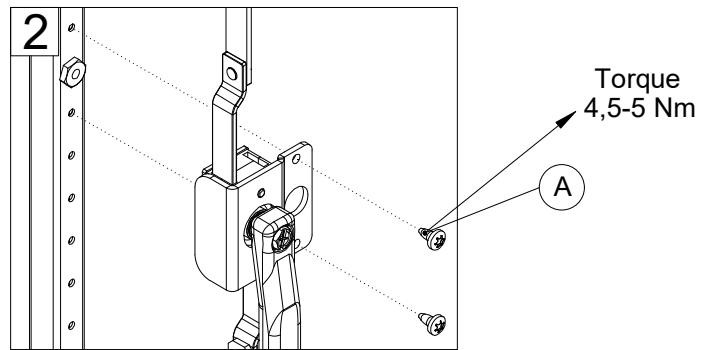
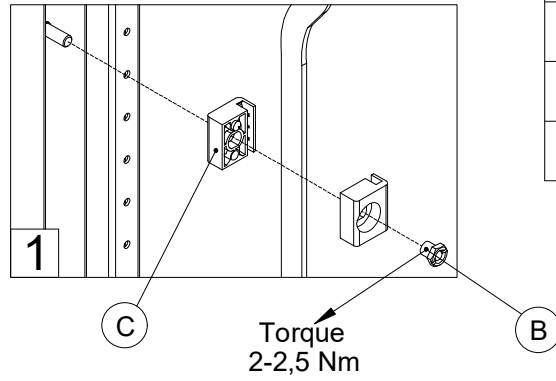
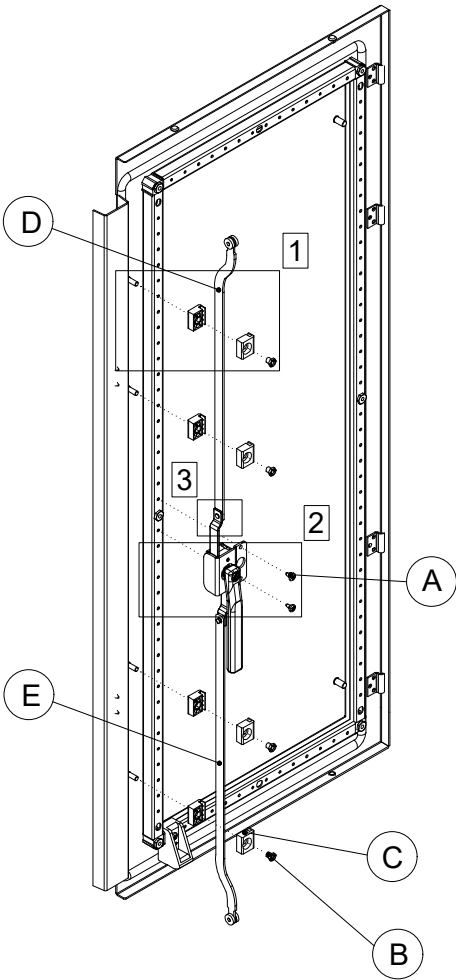
H	A
1100	175
1400	325
1600	425
1800	525
2000	625
2200	725

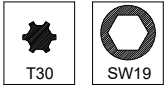




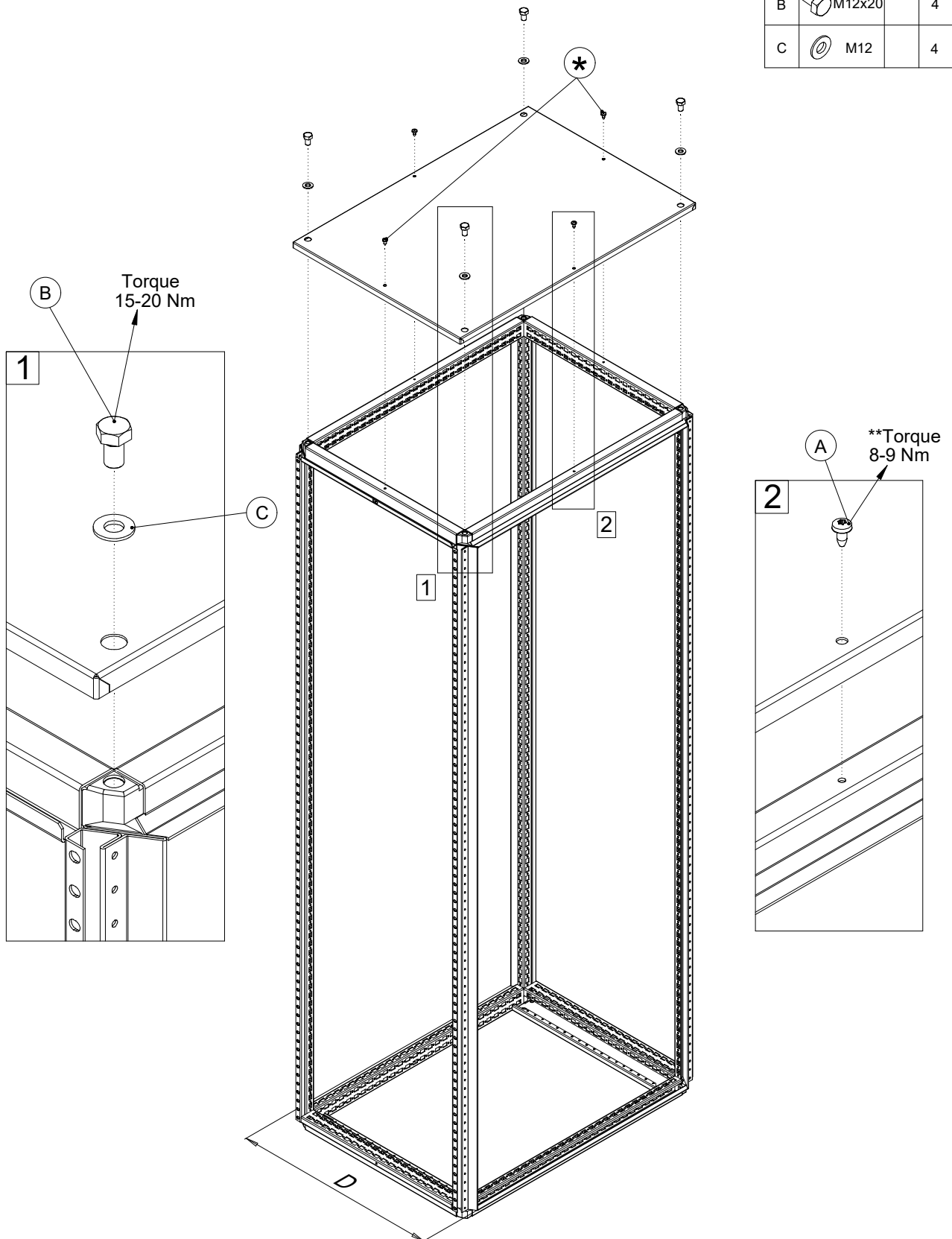
MOUNTING LSEL

Ref.	Pic.	Qty.
A		6
B		4
C		8
D		1
E		1





Ref.	Pic.	D (mm)	D	
			<800	≥800
A			2	4
B			4	4
C			4	4



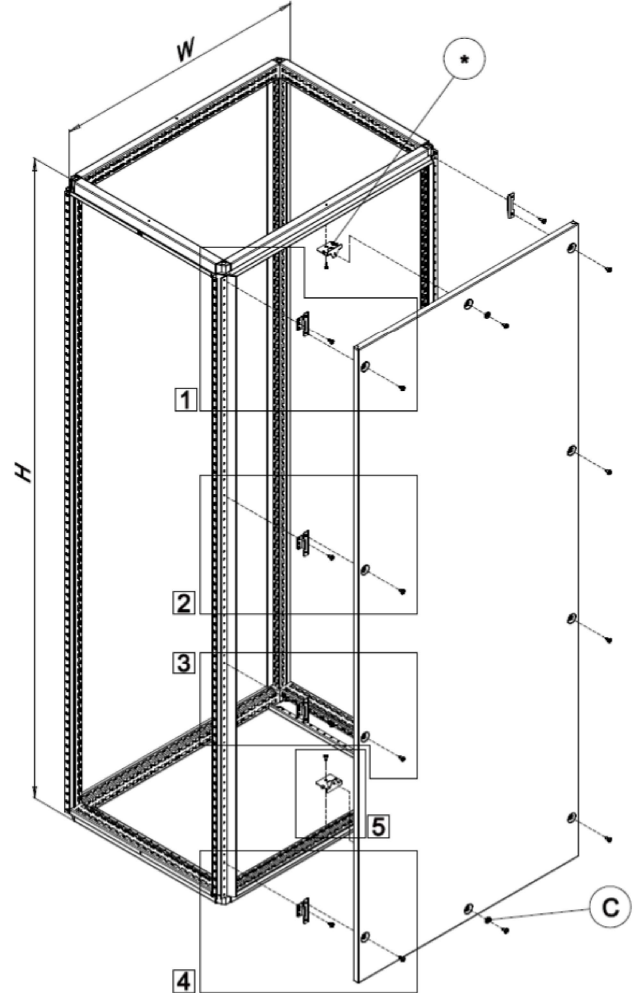
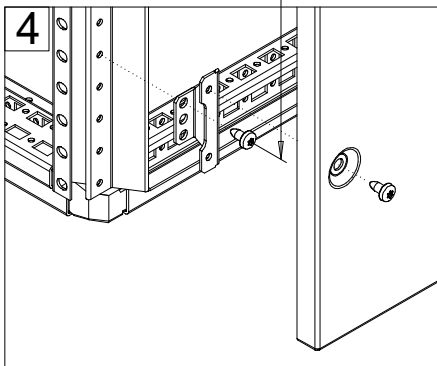
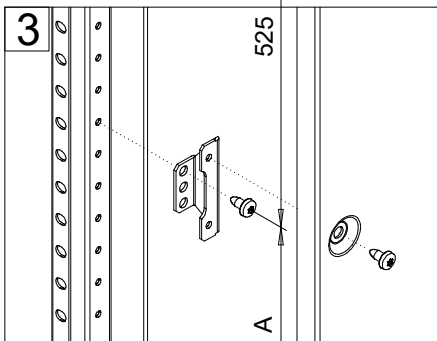
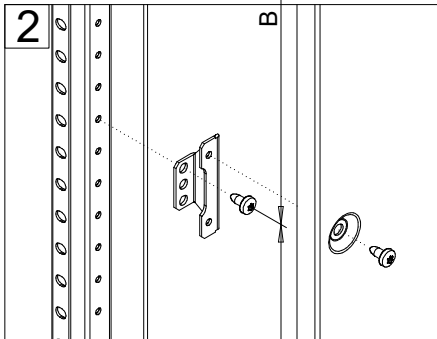
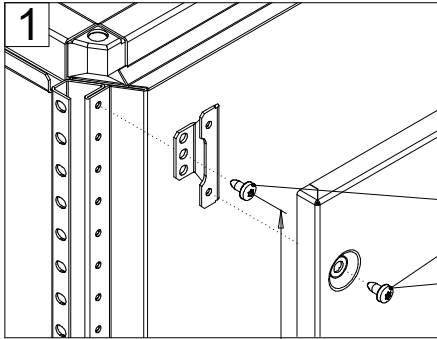
* - Used on enclosures 800mm deep and above.

** - Torque value for first tightening. For following tightening, torque value recommended is 4-5 Nm.

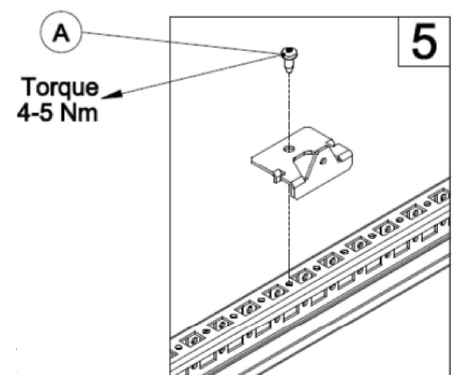


MCS BACK PANEL

Ref.	Pic.	W (mm)	<1000	≥1000
A			-	2
B		16	18	
C			-	2



H	A	B
1100	-	350
1400	325	375
1600	425	475
1800	525	575
2000	625	675
2200	725	775

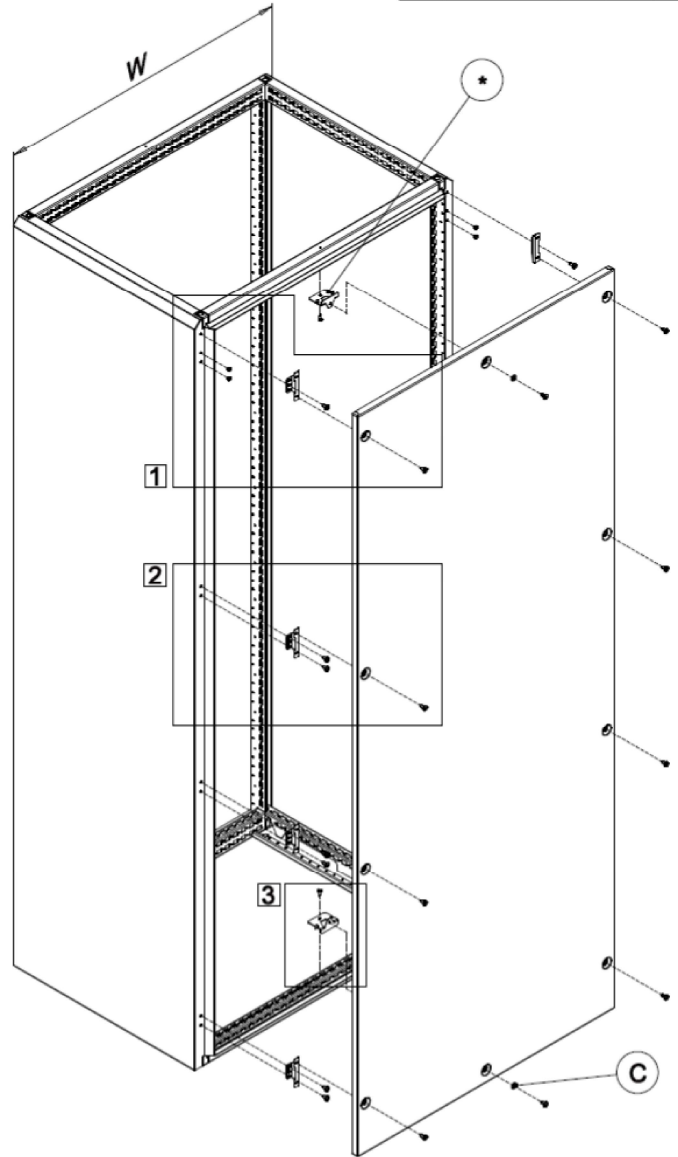
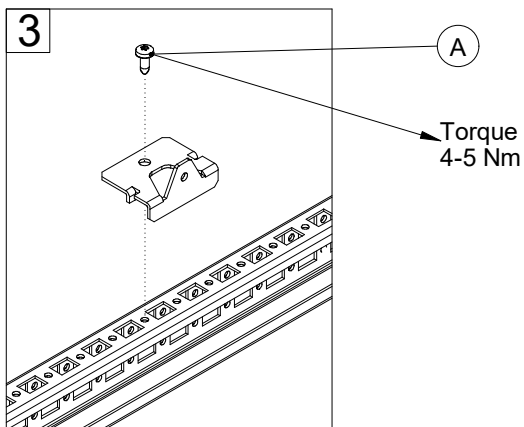
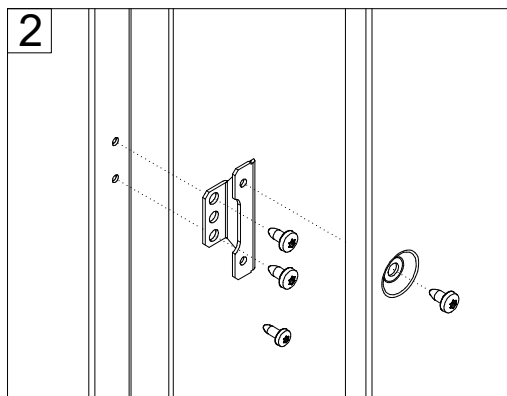
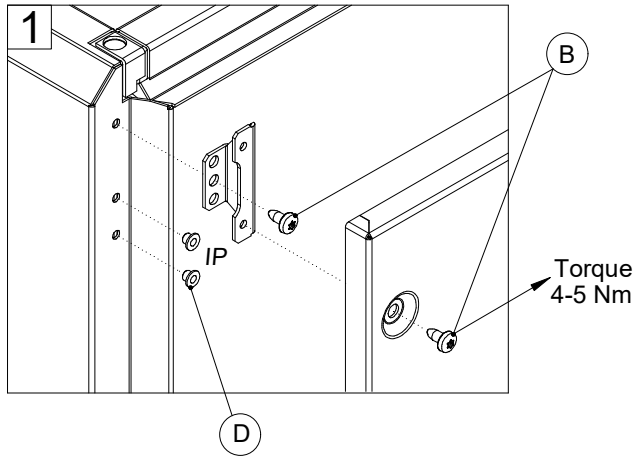


* - Used on enclosures 1000mm wide and above.



MKS BACK PANEL

Ref.	Pic.	W (mm)	<1000	≥1000
A			-	2
B			22	24
C			-	2
D			4	4

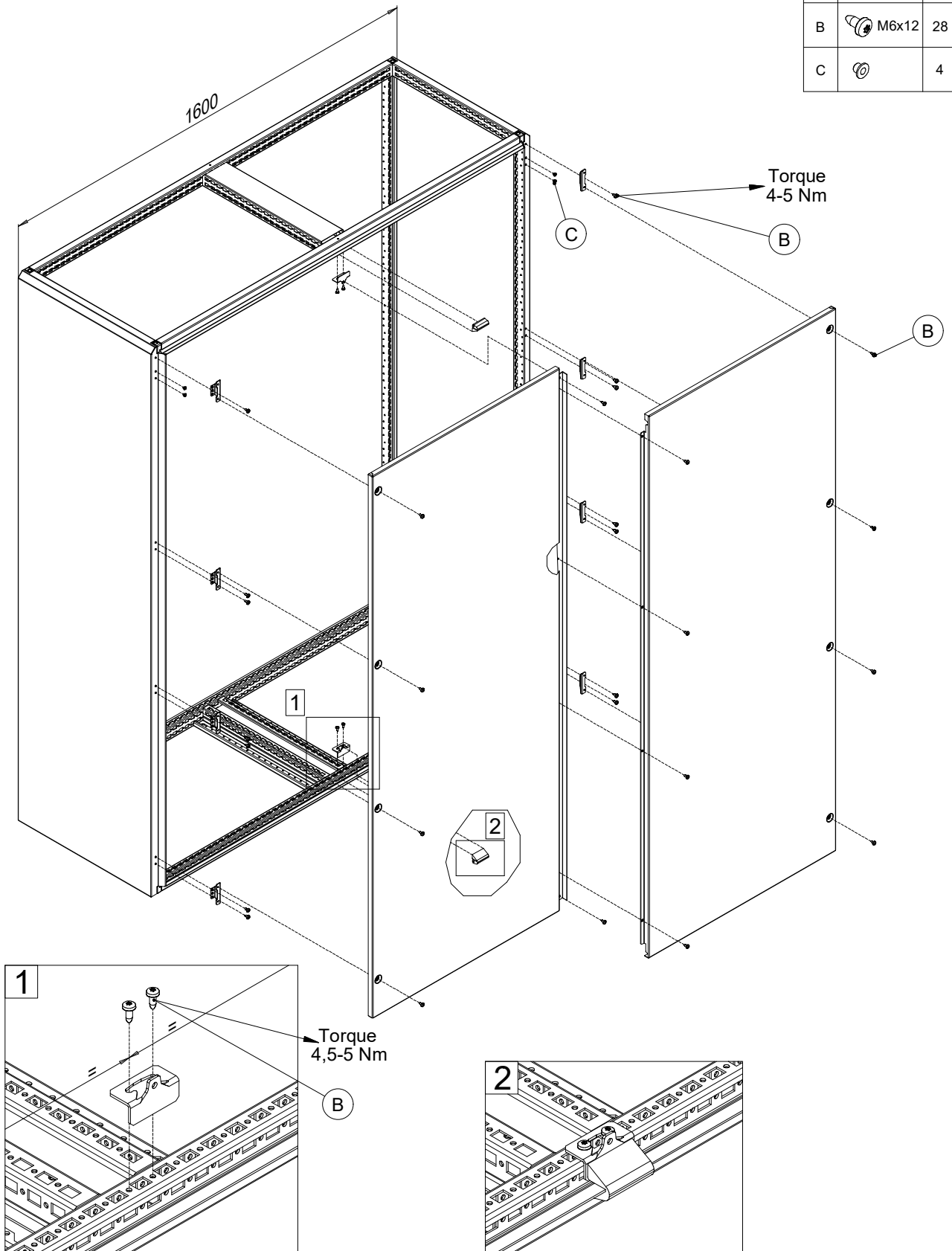


* - Used on enclosures 1000mm and 1200mm wide.

MKD BACK PANELS



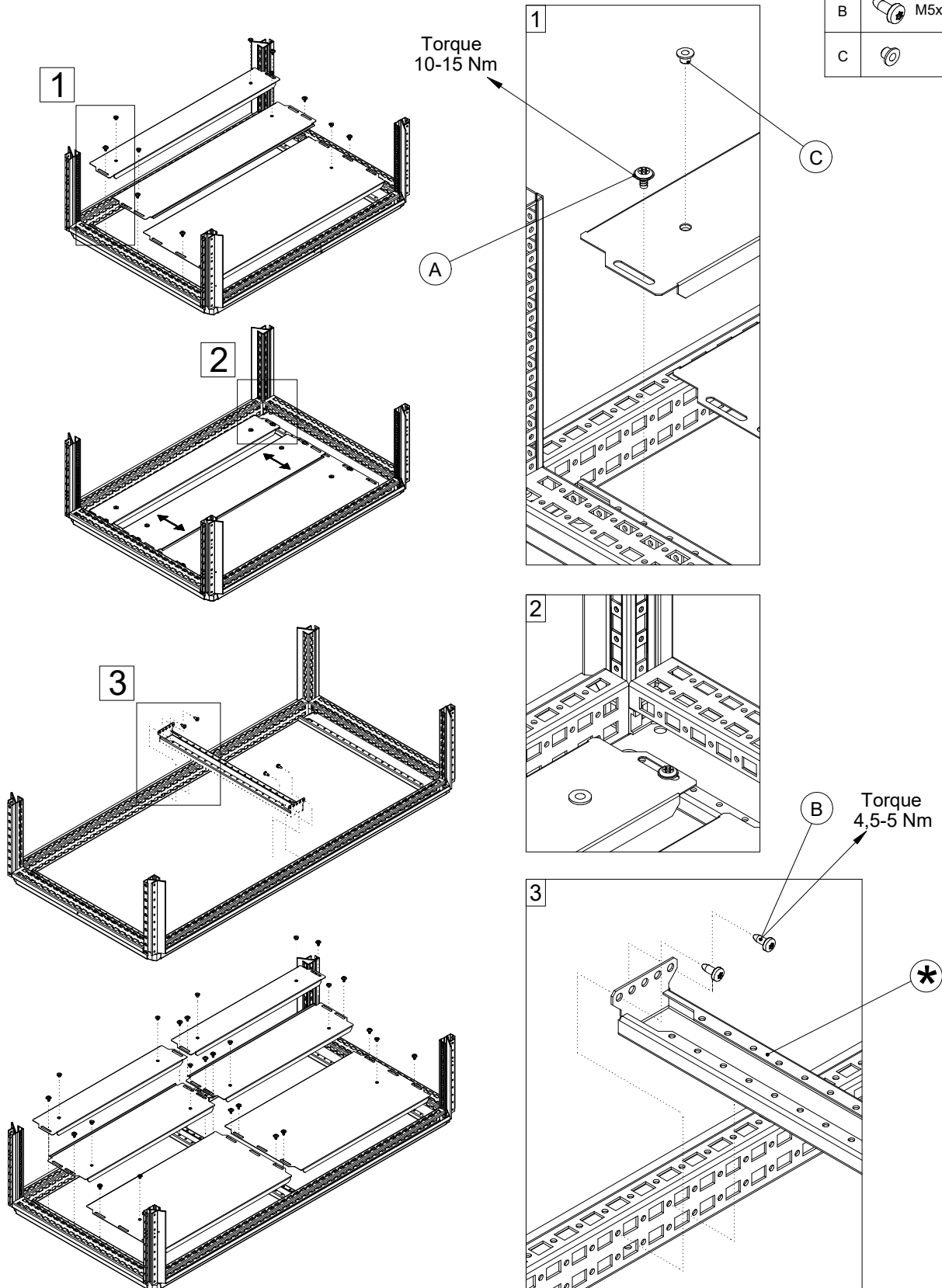
Ref.	Pic.	Qty.
A		4
B		28
C		4



MOUNTING BOTTOM PLATES



Ref.	Pic.	Qty.
A	St. 5.5x10	6/8/12/16
B	M5x10	4
C	Washer	5/7/10/14


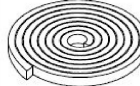



* - Used only on 1200mm wide enclosures.



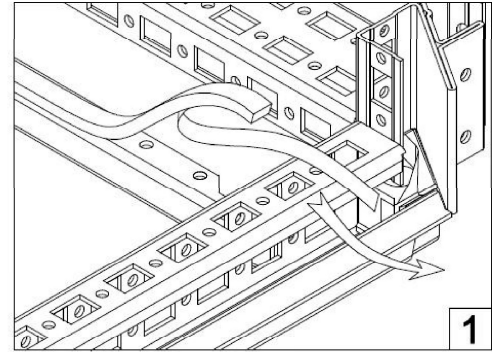
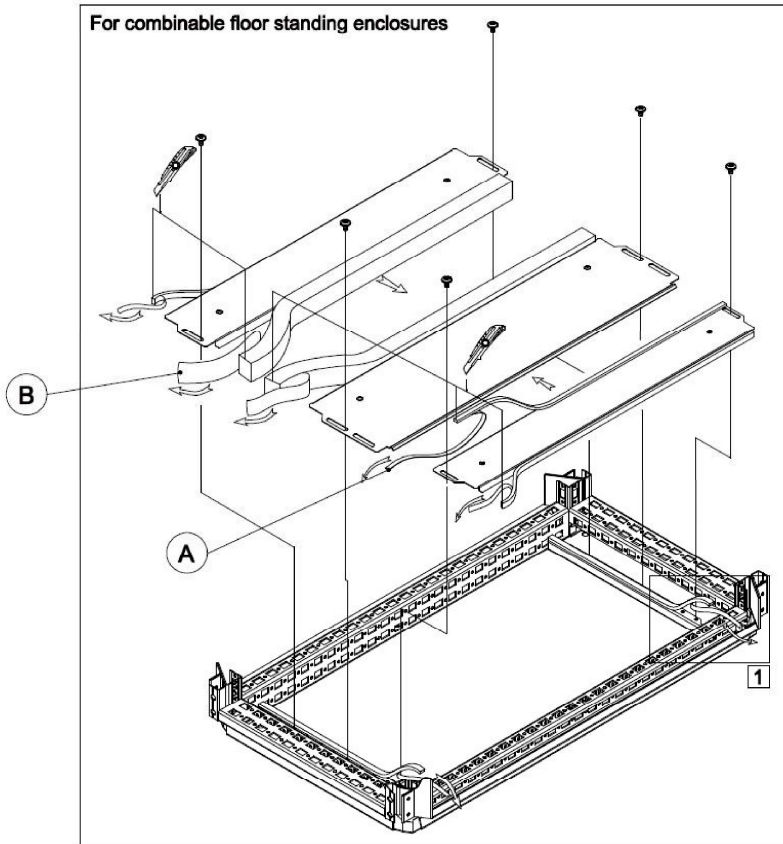
SEALING BOTTOM PLATES

Required for IP55

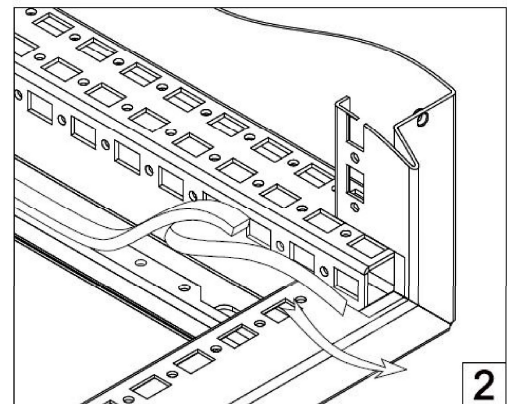
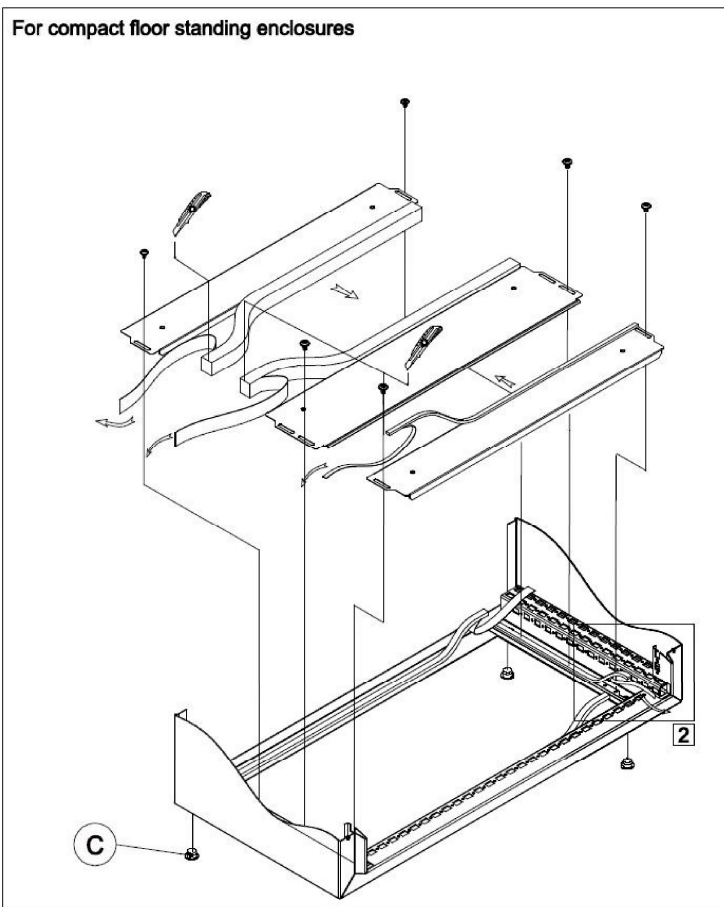
Ref.	Pic.	Qty.
A		6m
B		1,6m
C		4

BG01 ordered separately

For combinable floor standing enclosures

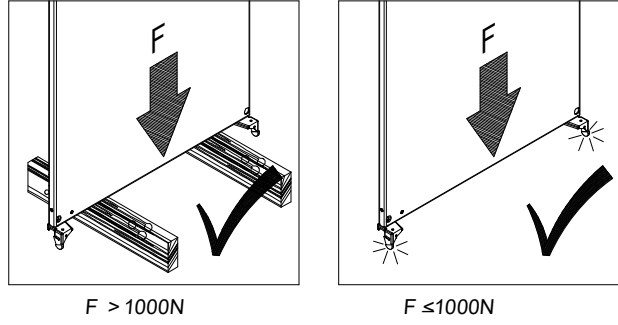


For compact floor standing enclosures

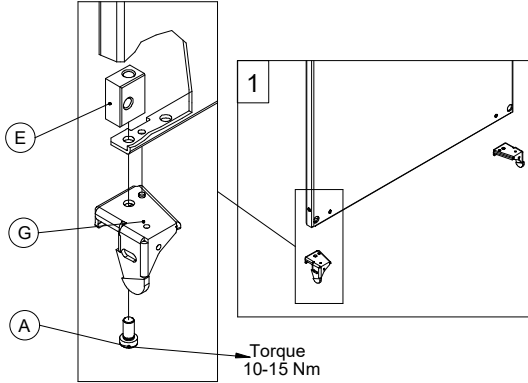




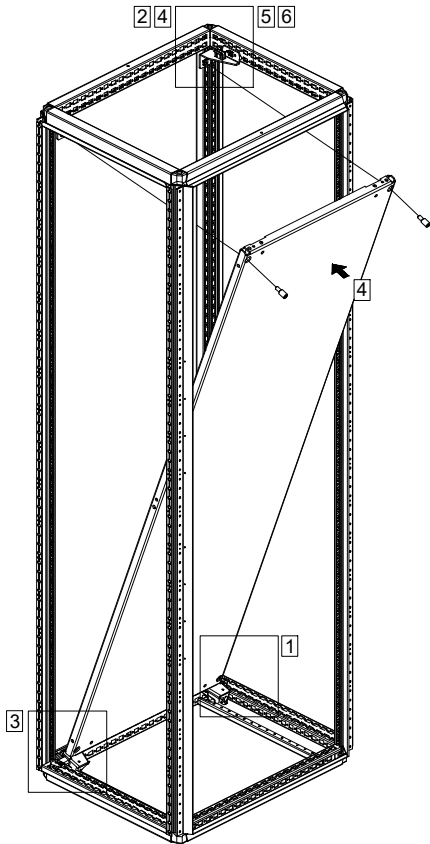
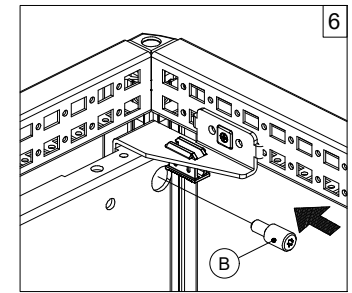
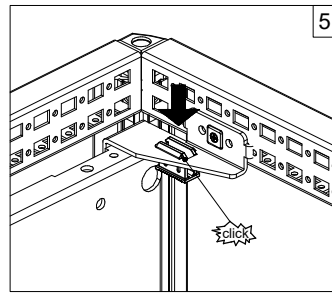
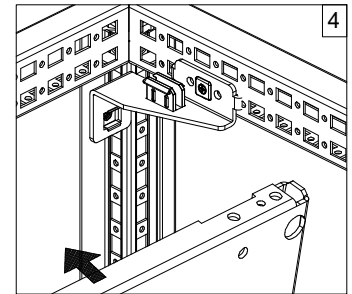
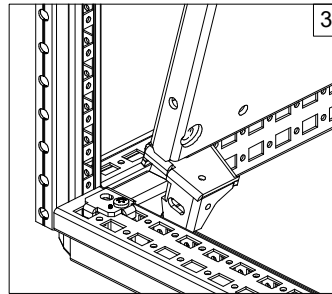
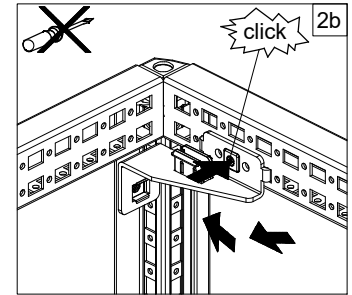
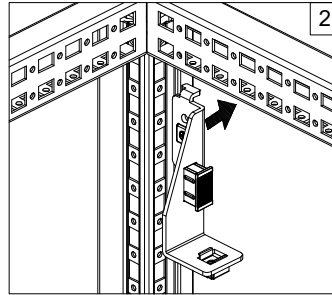
MOUNTING PLATE



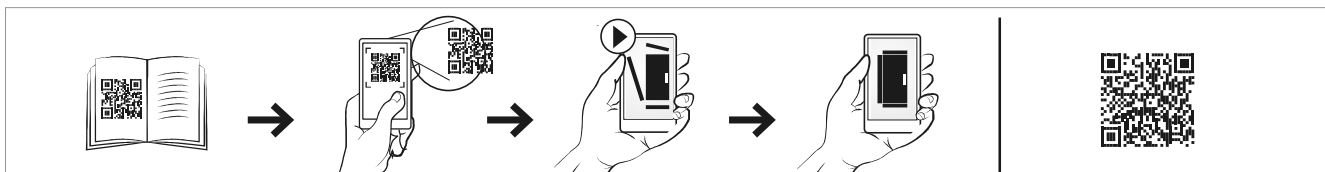
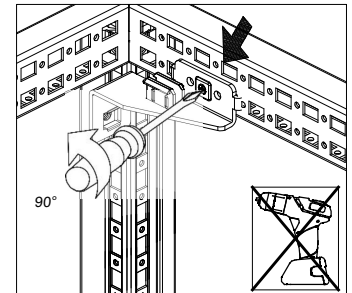
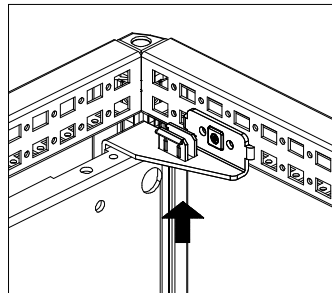
Ref.	Pic.	Qty.
A		2
B		2
C		2
D		1
E		1
F		1
G		1



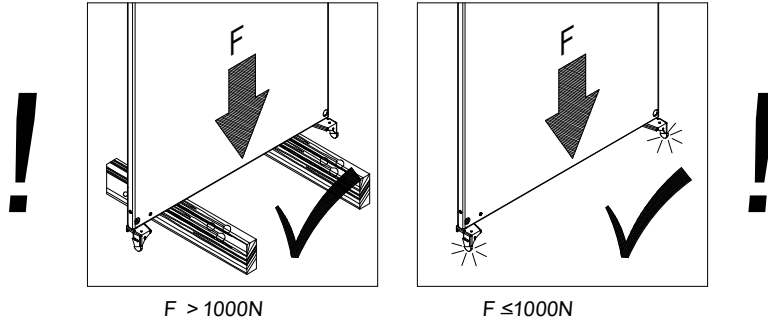
MOUNTING



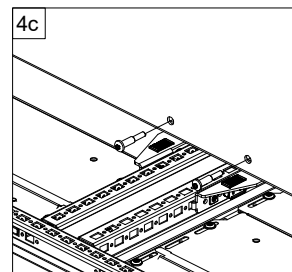
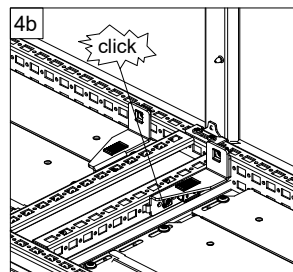
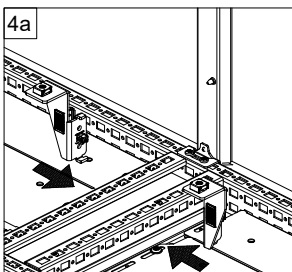
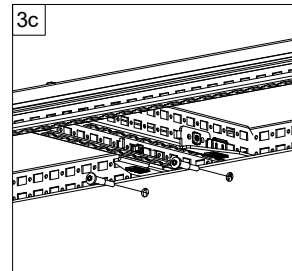
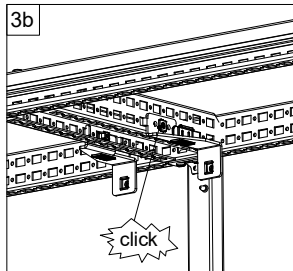
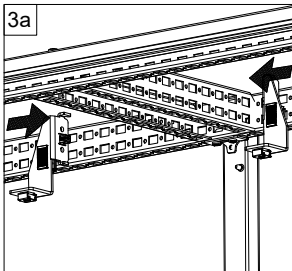
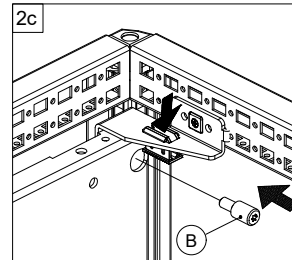
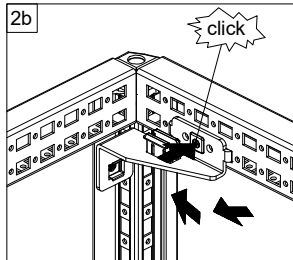
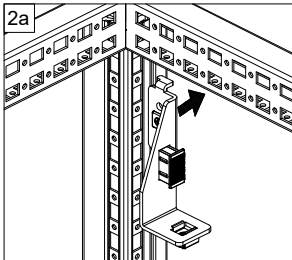
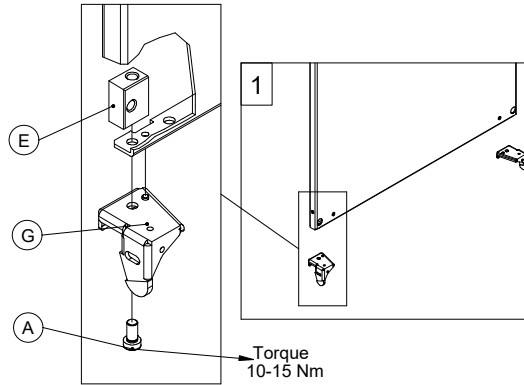
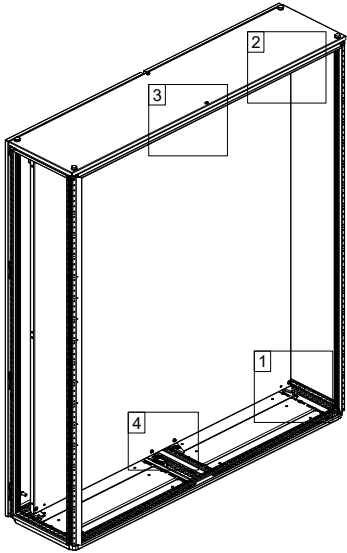
UNMOUNTING



MOUNTING PLATE 1600 WIDE



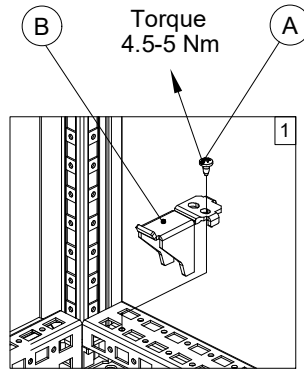
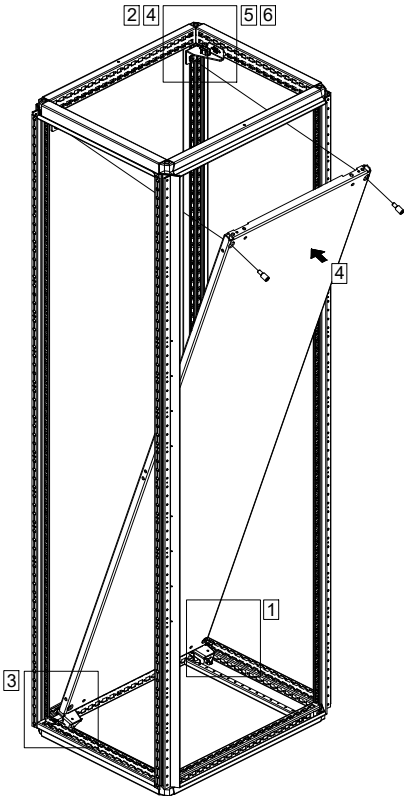
Ref.	Pic.	Qty.
A	M8x16	2
B	M8x16	2
C		2
D	Bottom right	1
E	Bottom left	1
F	Top right	3
G	Top left	3
H	M8x40	4



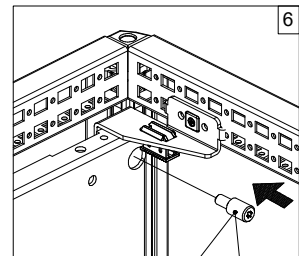
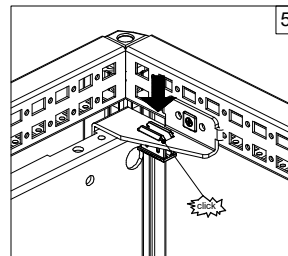
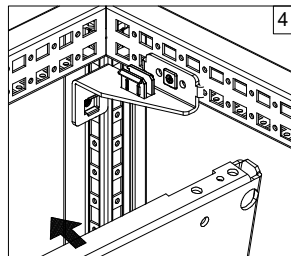
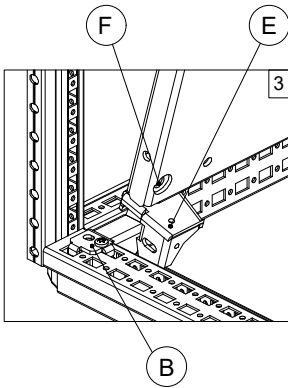
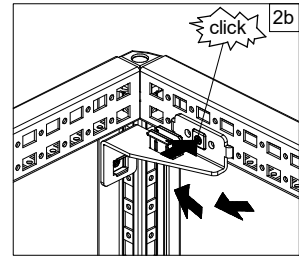
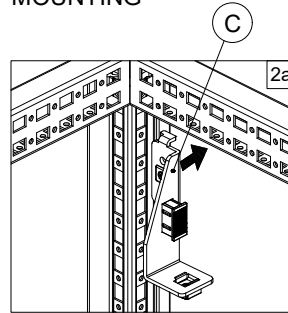
MPD02



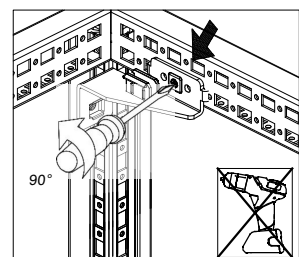
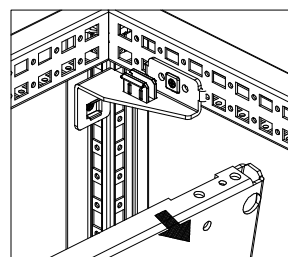
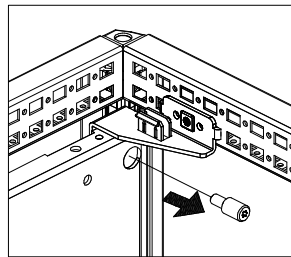
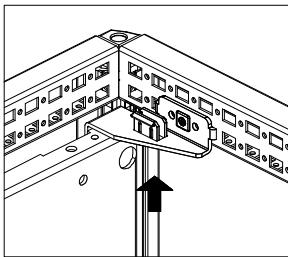
Ref.	Pic.	Qty.
A	MSX10	2
B	Bottom left	1
C	Bottom right	1



MOUNTING



UNMOUNTING

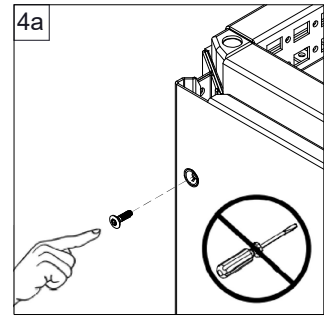
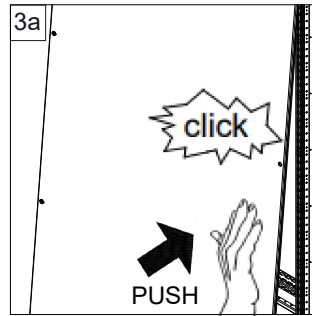
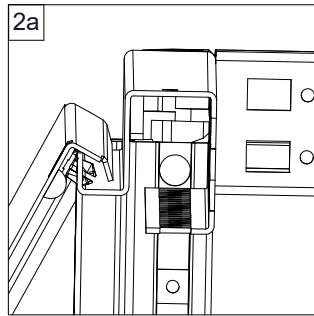
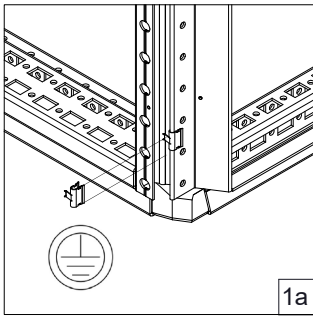
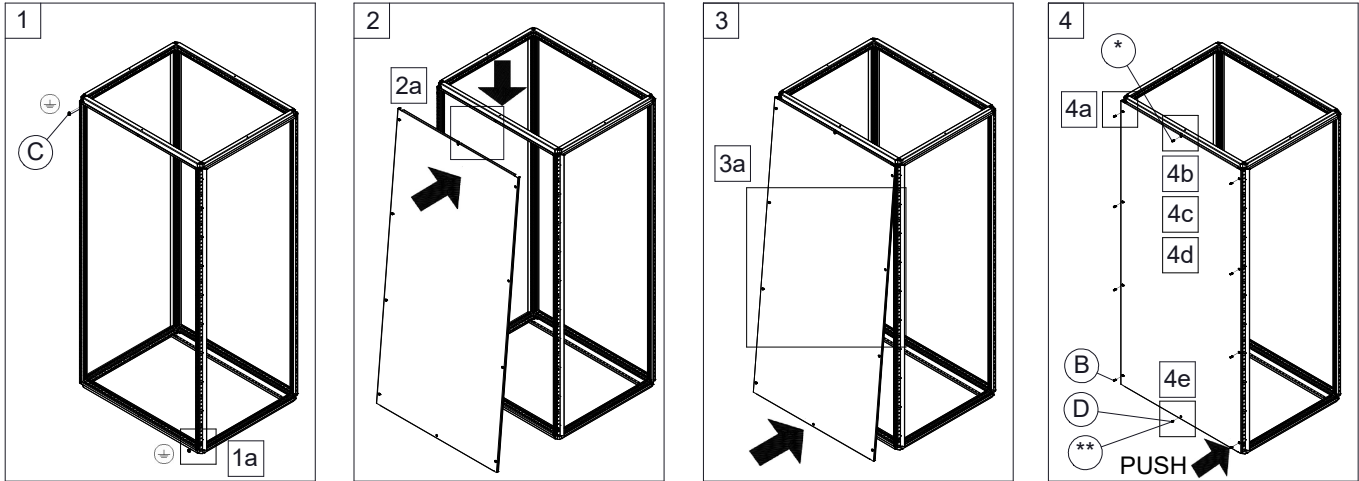




SPM

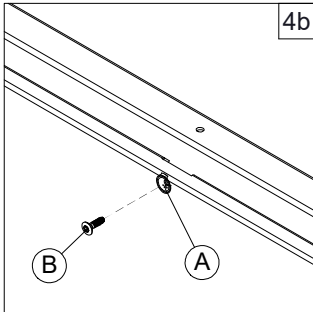
Ref.	Pic.	Qty.
A		6/8/9
B		6/8/9
C		2
D		1
E		1
F		1
G		1

Side panel mounting

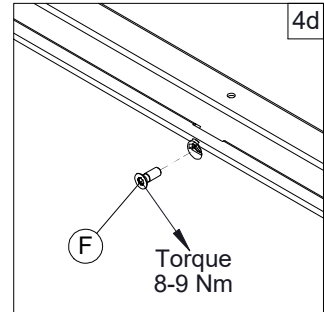
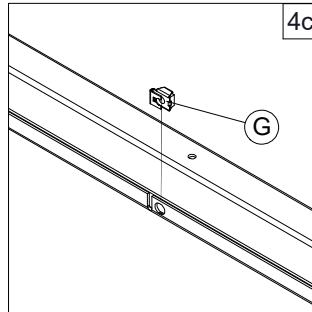


* Top middle fixation (for 900 mm depth and above)

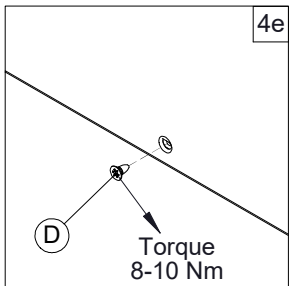
Alternative 1



Alternative 2



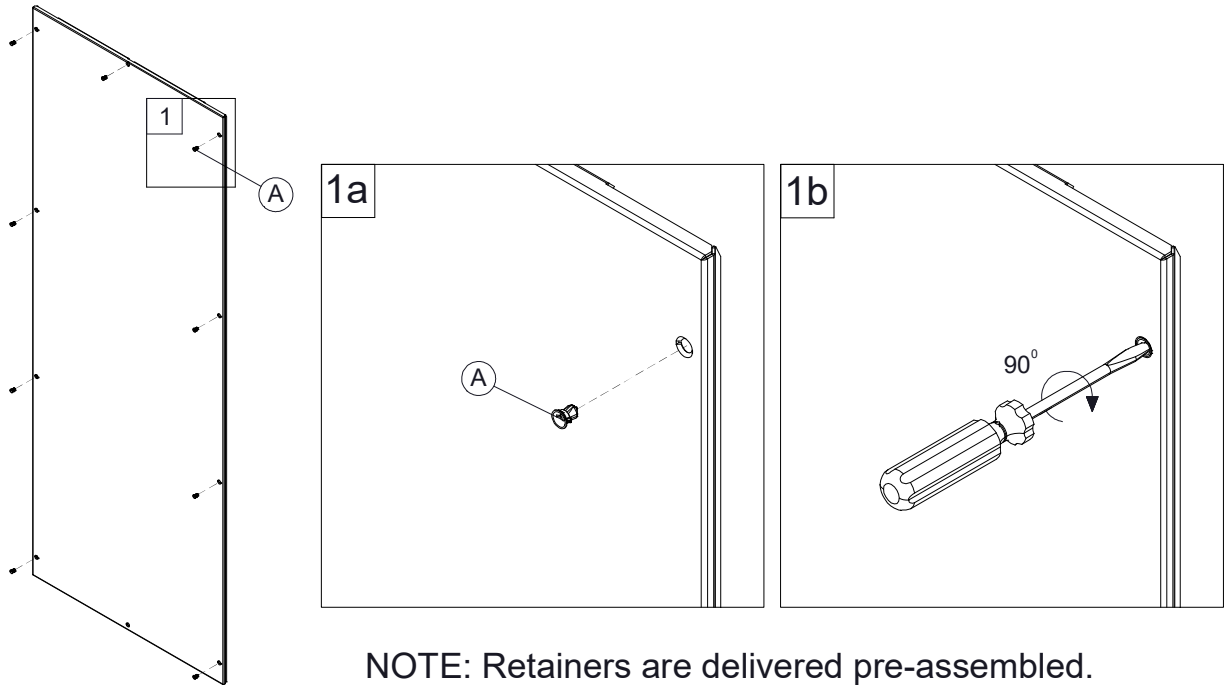
** Bottom middle fixation (for 900 mm depth and above)





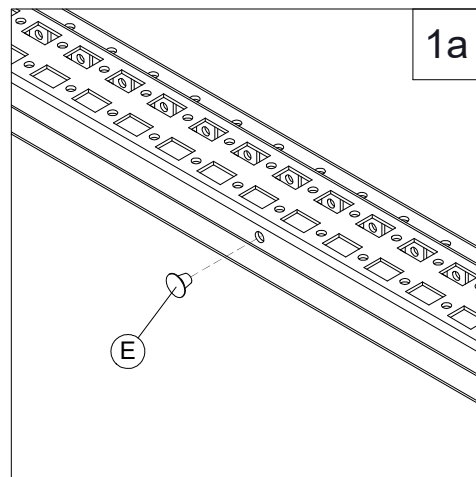
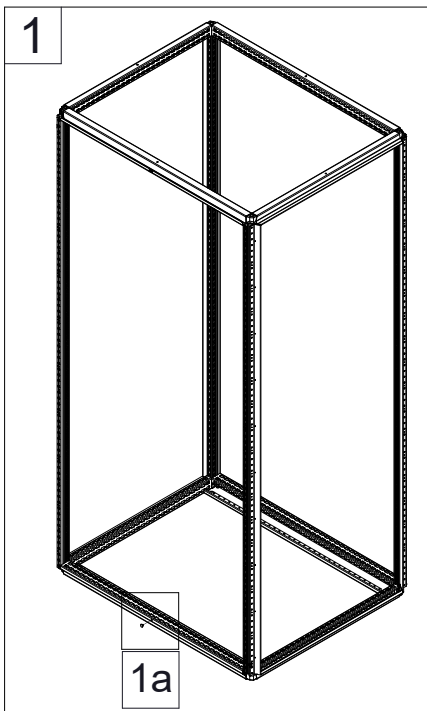
SPM

Retainer mounting



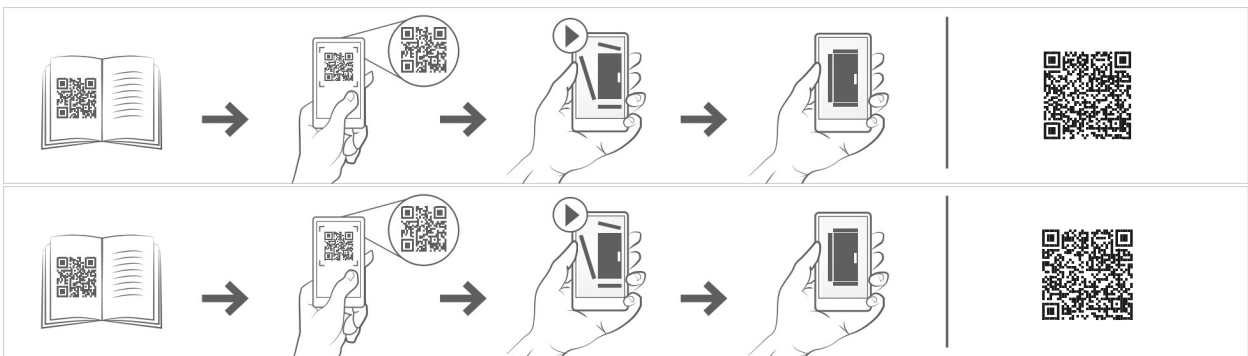
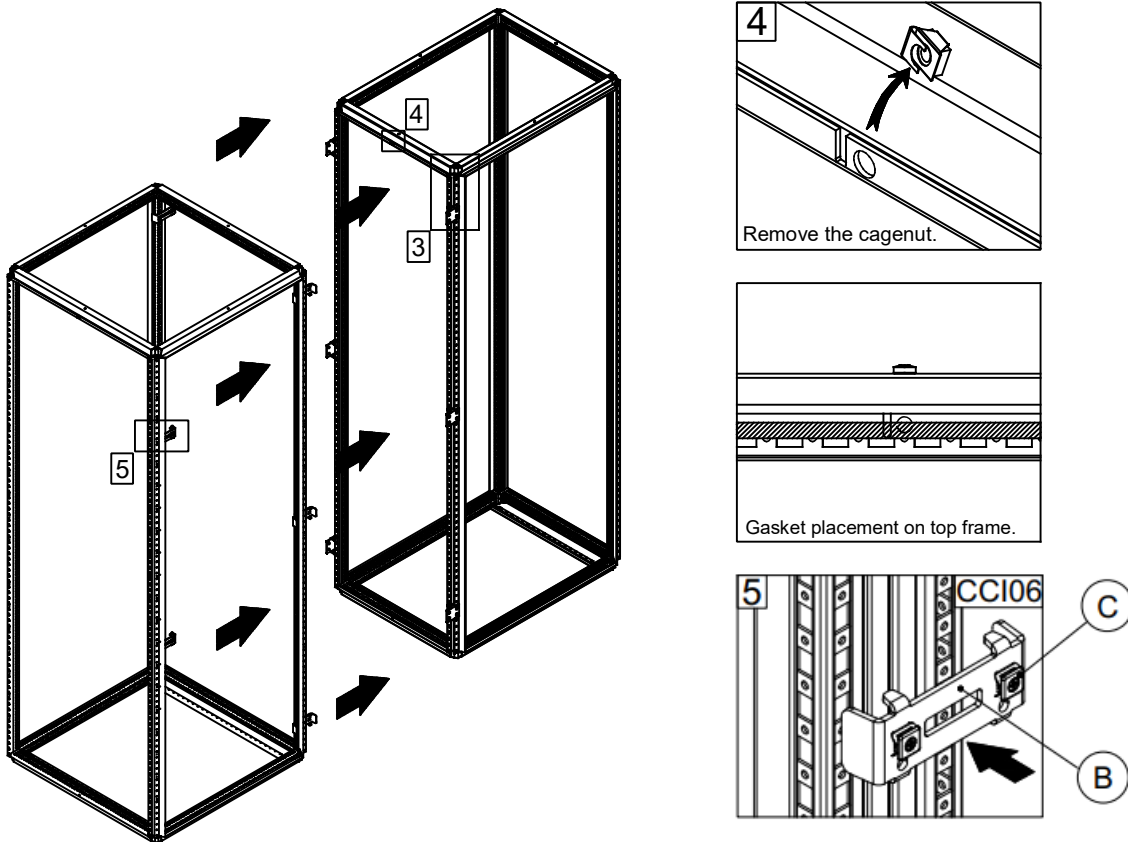
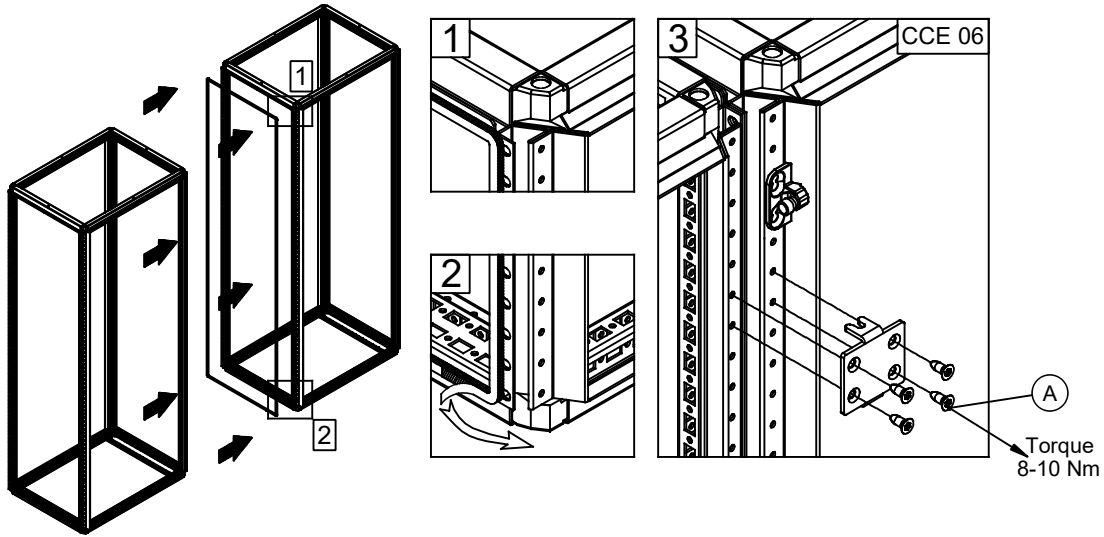
NOTE: Retainers are delivered pre-assembled.

NOTE: For the old design frame (from 700 mm till 800 mm depth), the following additional steps are required:



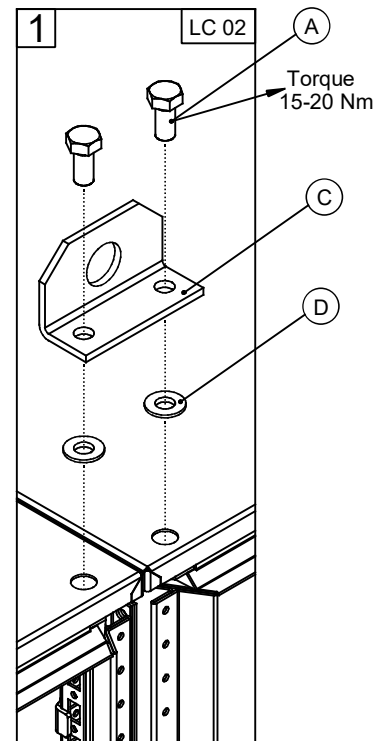
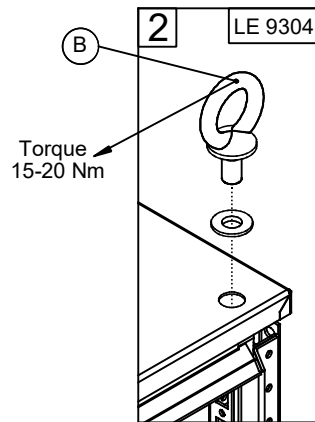
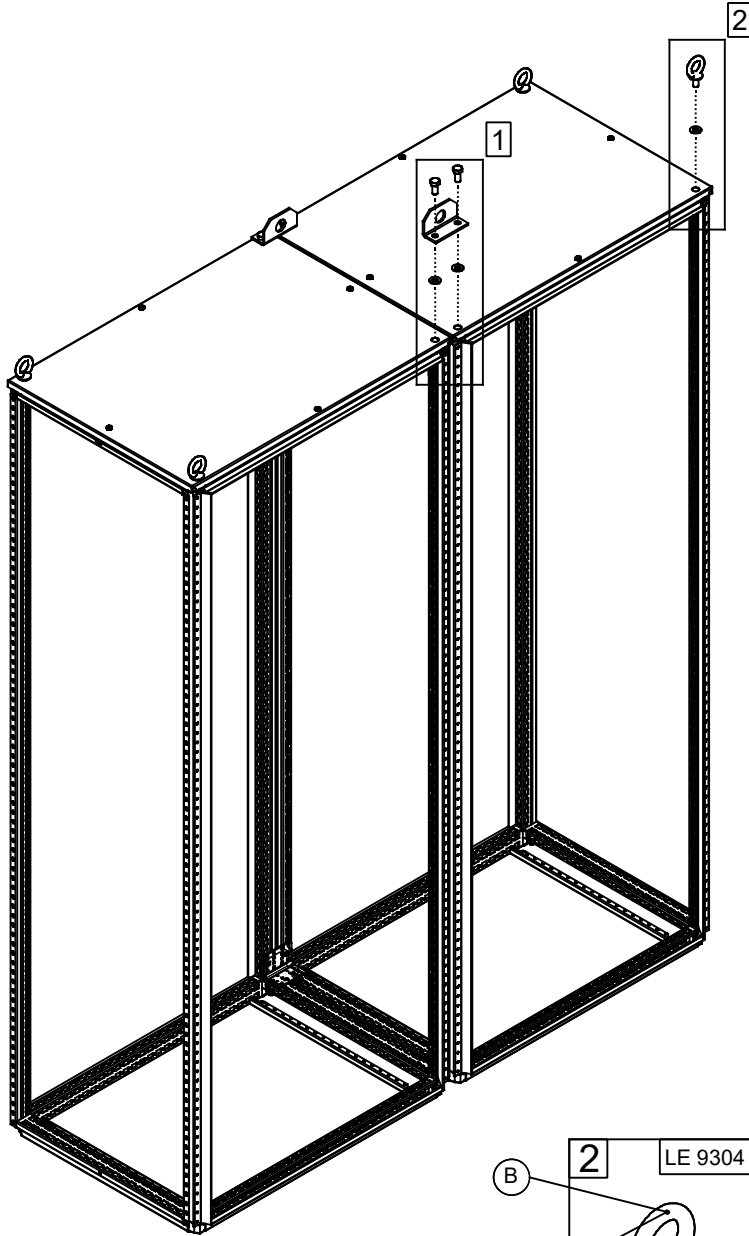


Ref.	Pic.	Qty.
A		8
B		6
C		12
D		6





Ref.	Pic.	Qty.
A		4
B		4
C		2
D		4

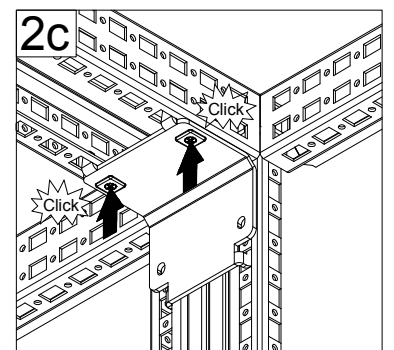
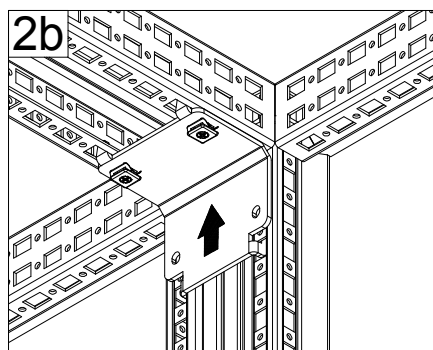
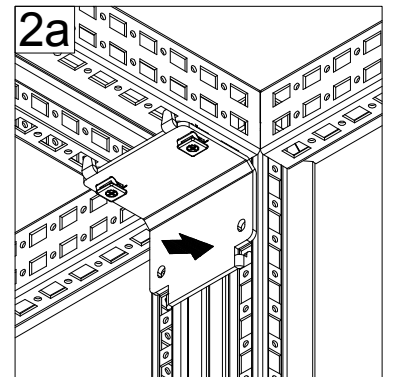
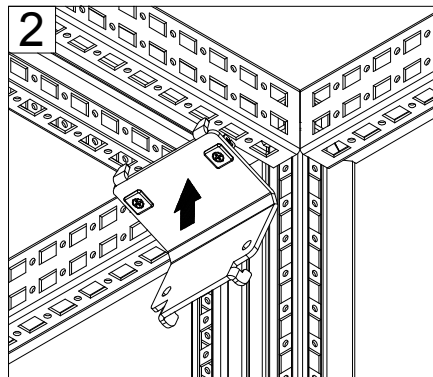
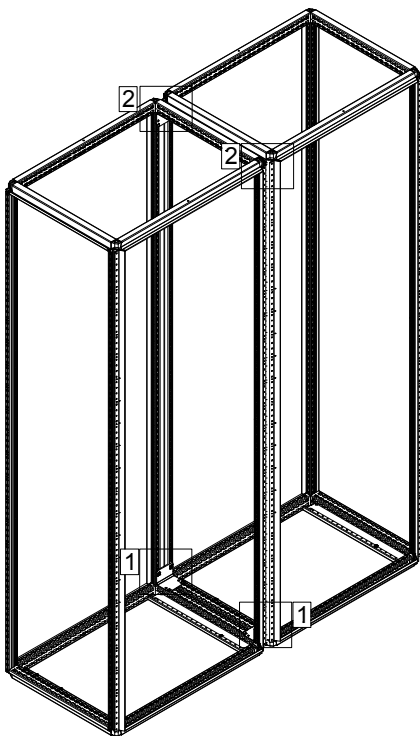
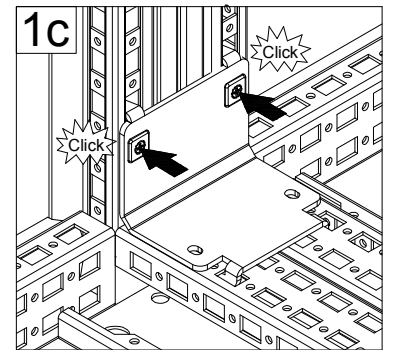
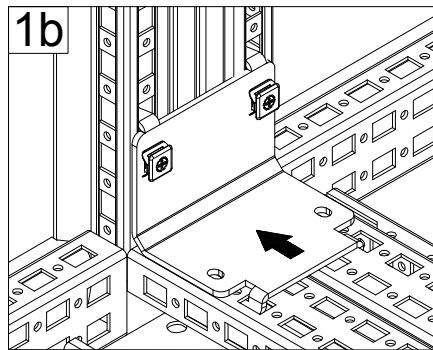
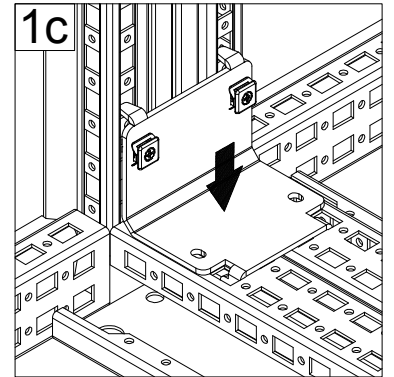
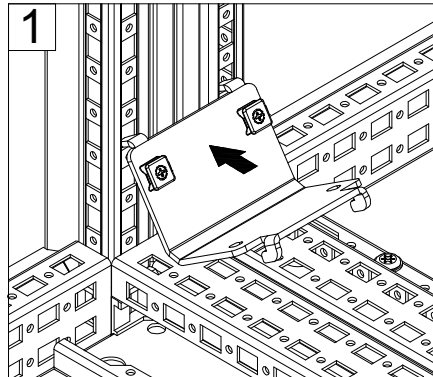
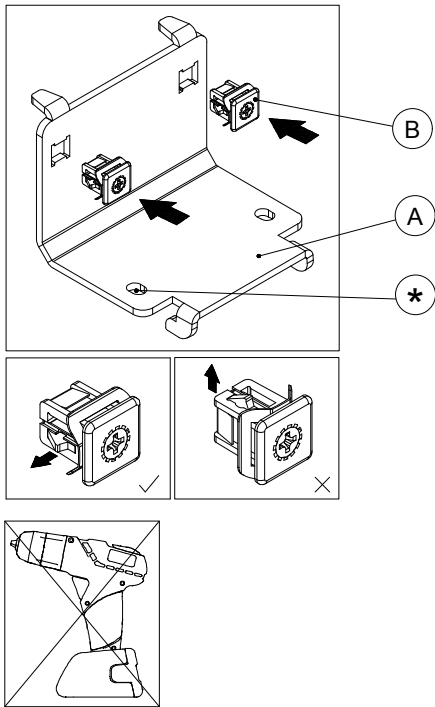




CCM 04

Ref.	Pic.	Qty.
A		4
B		8


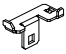


MOUNTING

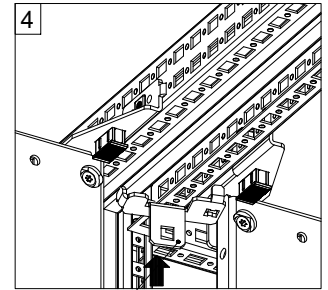
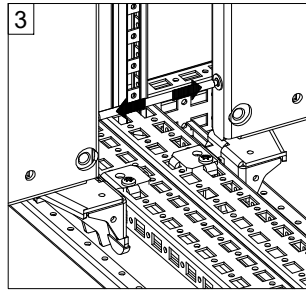
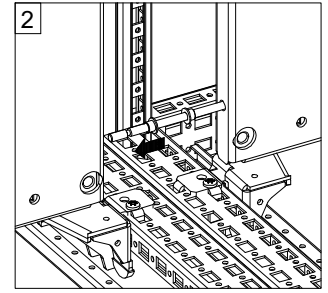
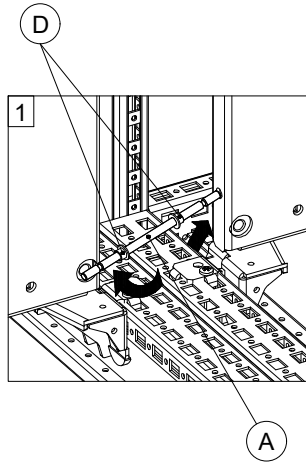
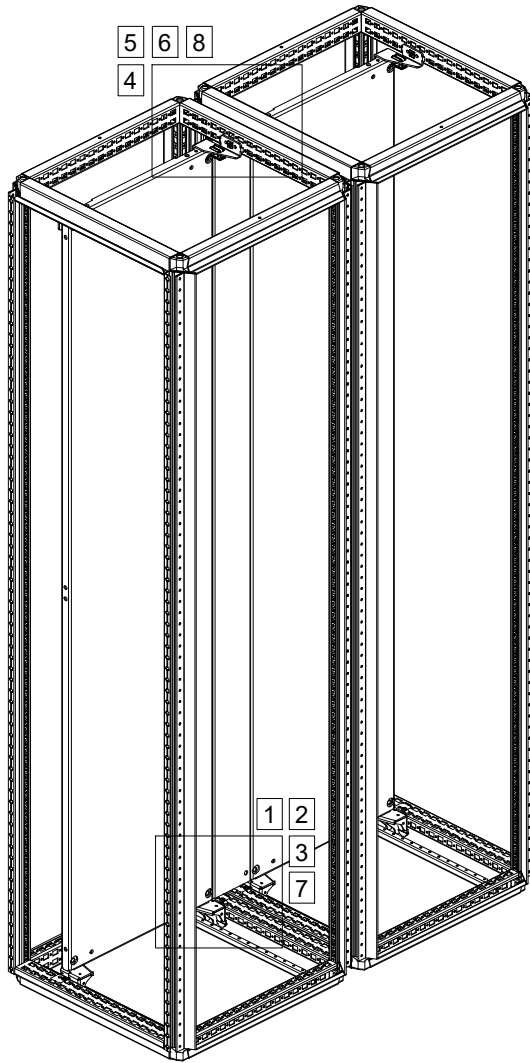


Note: It is mandatory for all four brackets to be installed at all four corners !

* The fixation holes can be used to better fix the bracket to the frame, using cage nuts and screws !

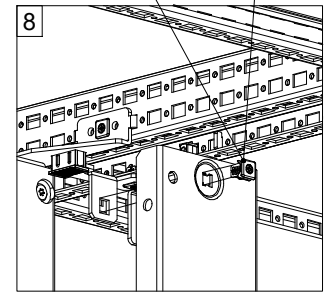
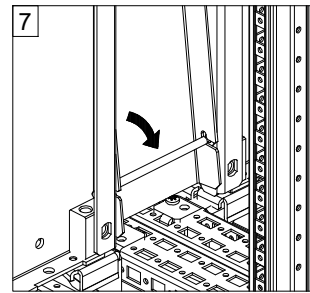
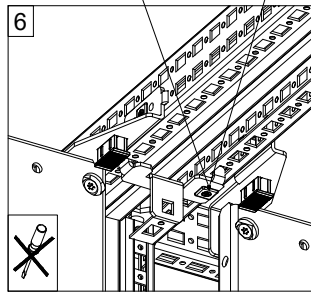
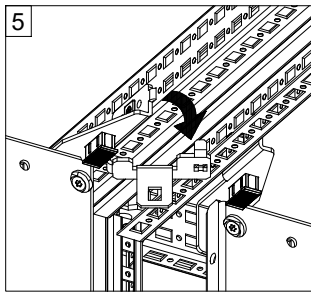
MPF

Ref.	Pic.	Qty.
A		1
B		1
C		2
D		2



B

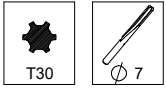
click



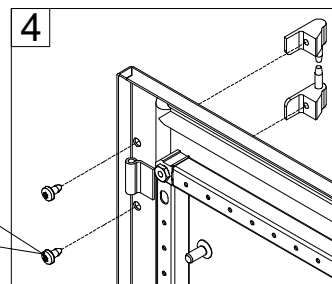
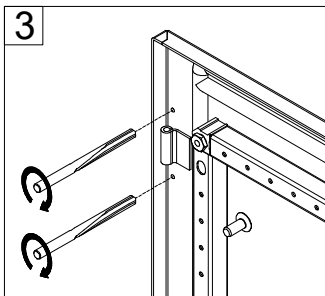
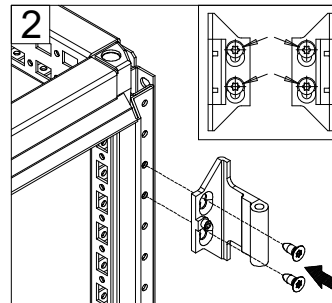
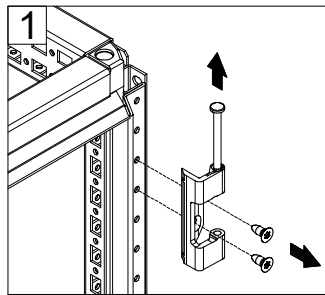
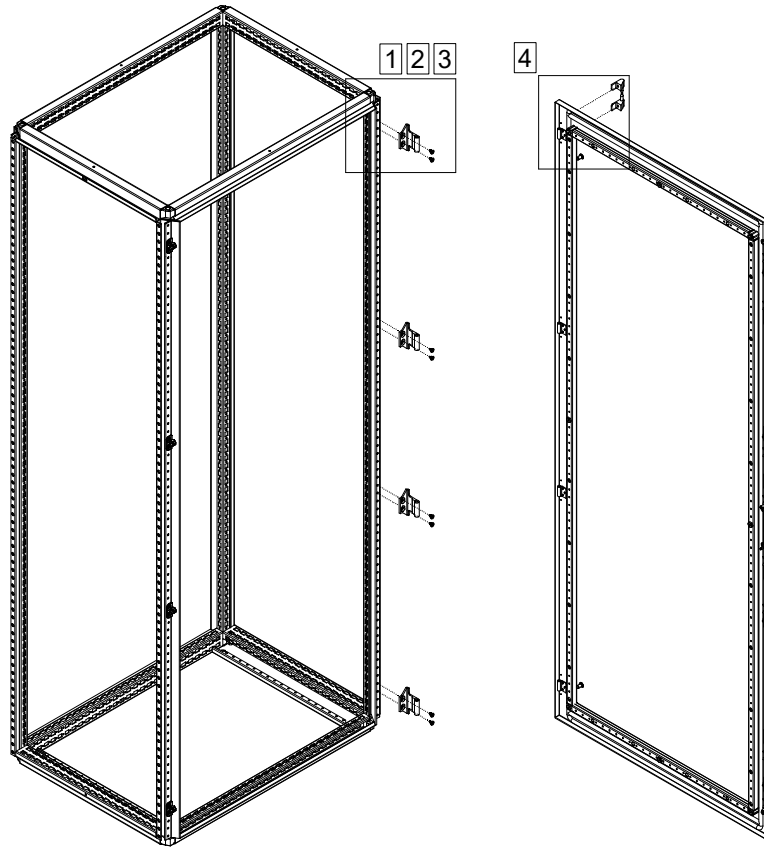
Back view



DHN 180

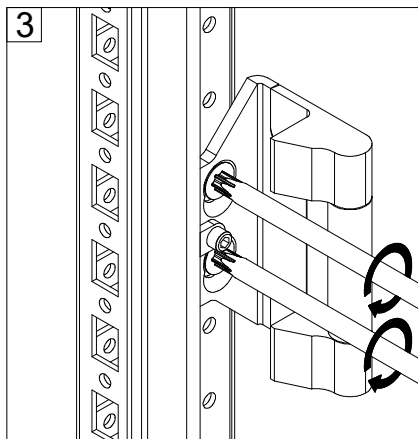
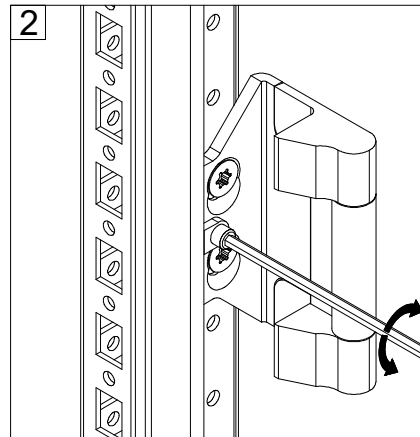
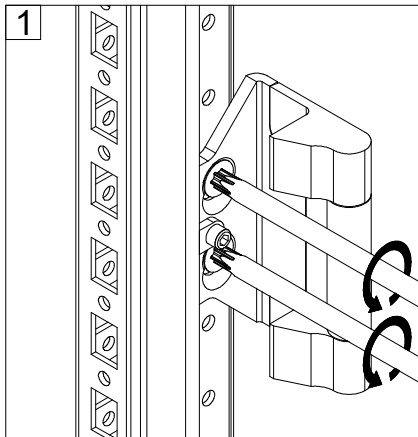
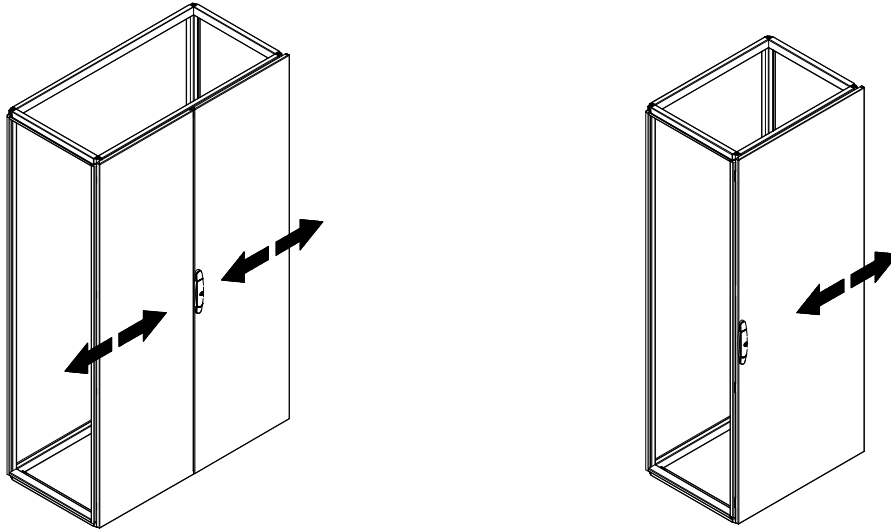


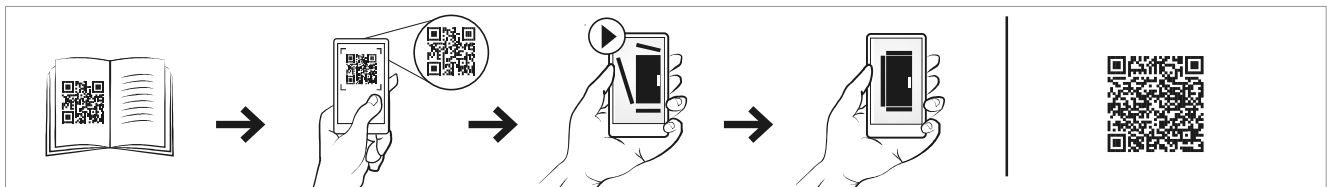
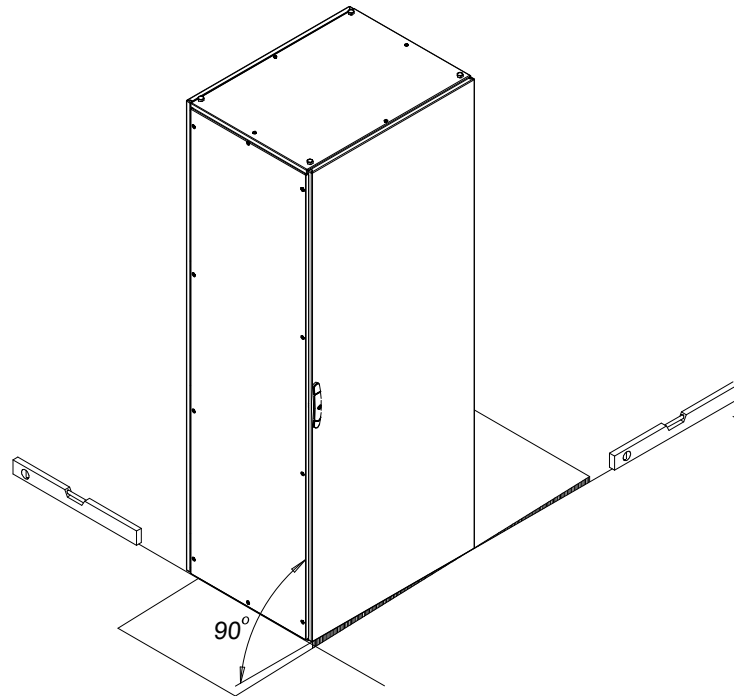
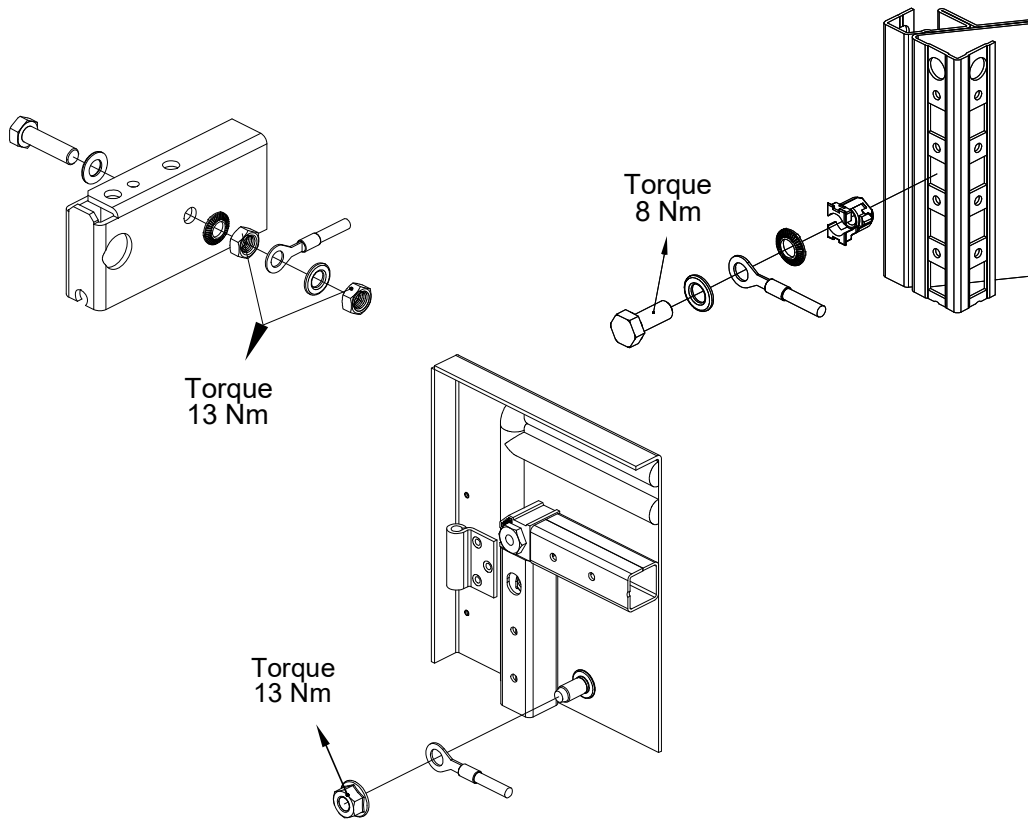
Ref.	Pic.	Qty.
A		8



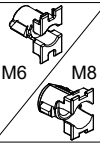


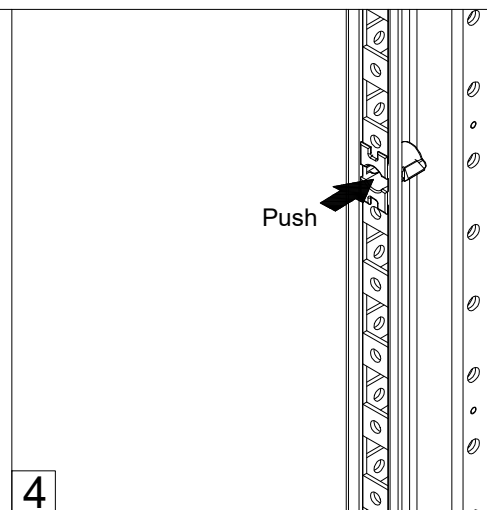
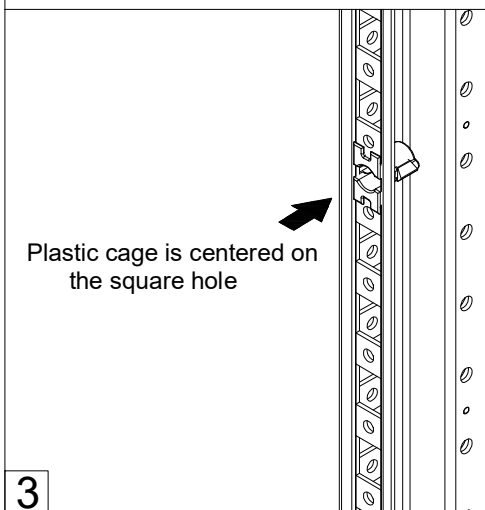
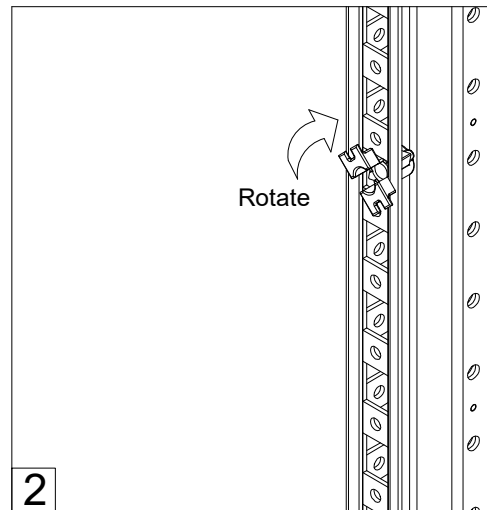
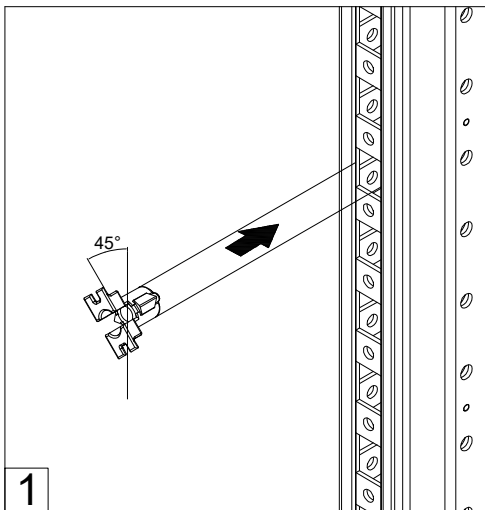
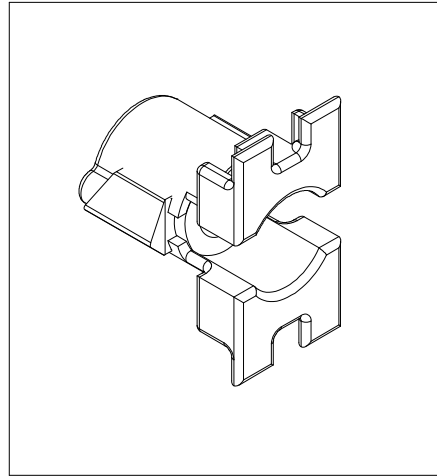
DHN 180 DOOR ADJUSTMENT

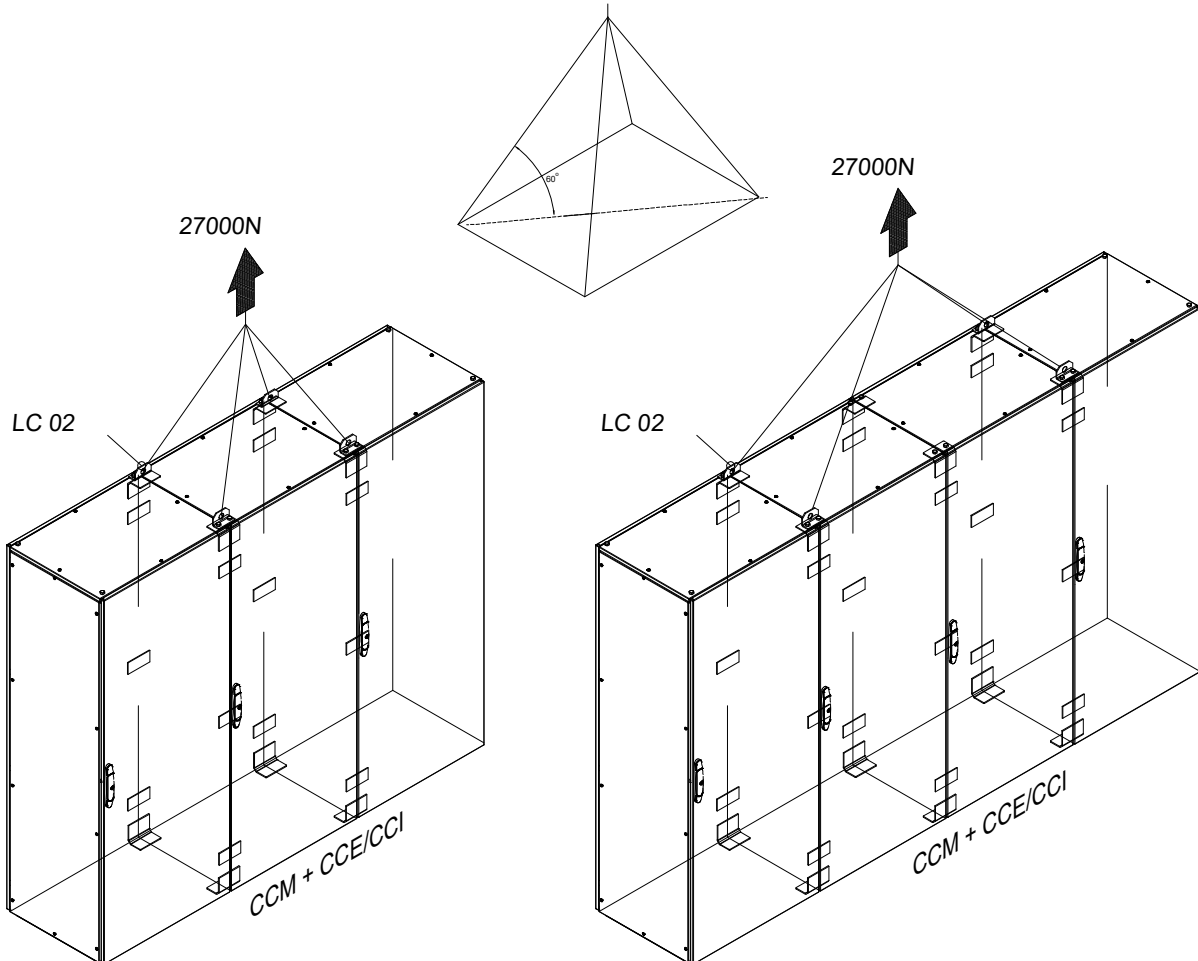
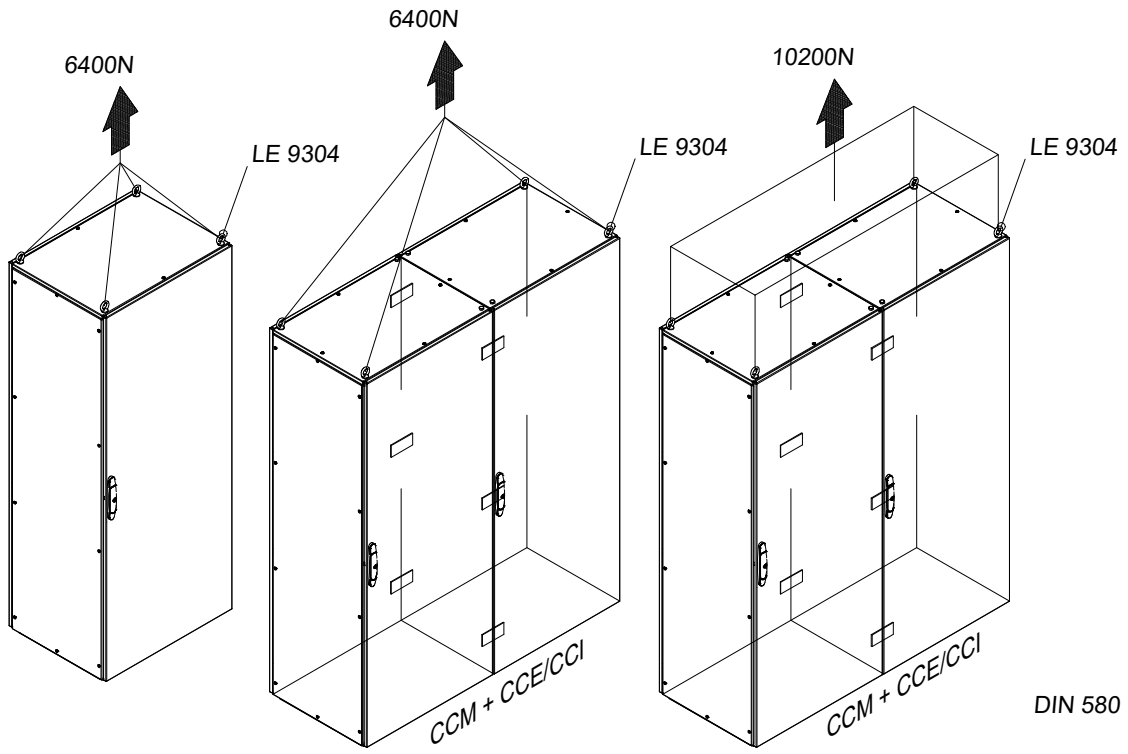


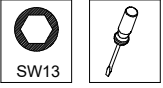


CNM

Ref.	Pic.	Qty.
A		1







MCM

Mousepad RH into LH

