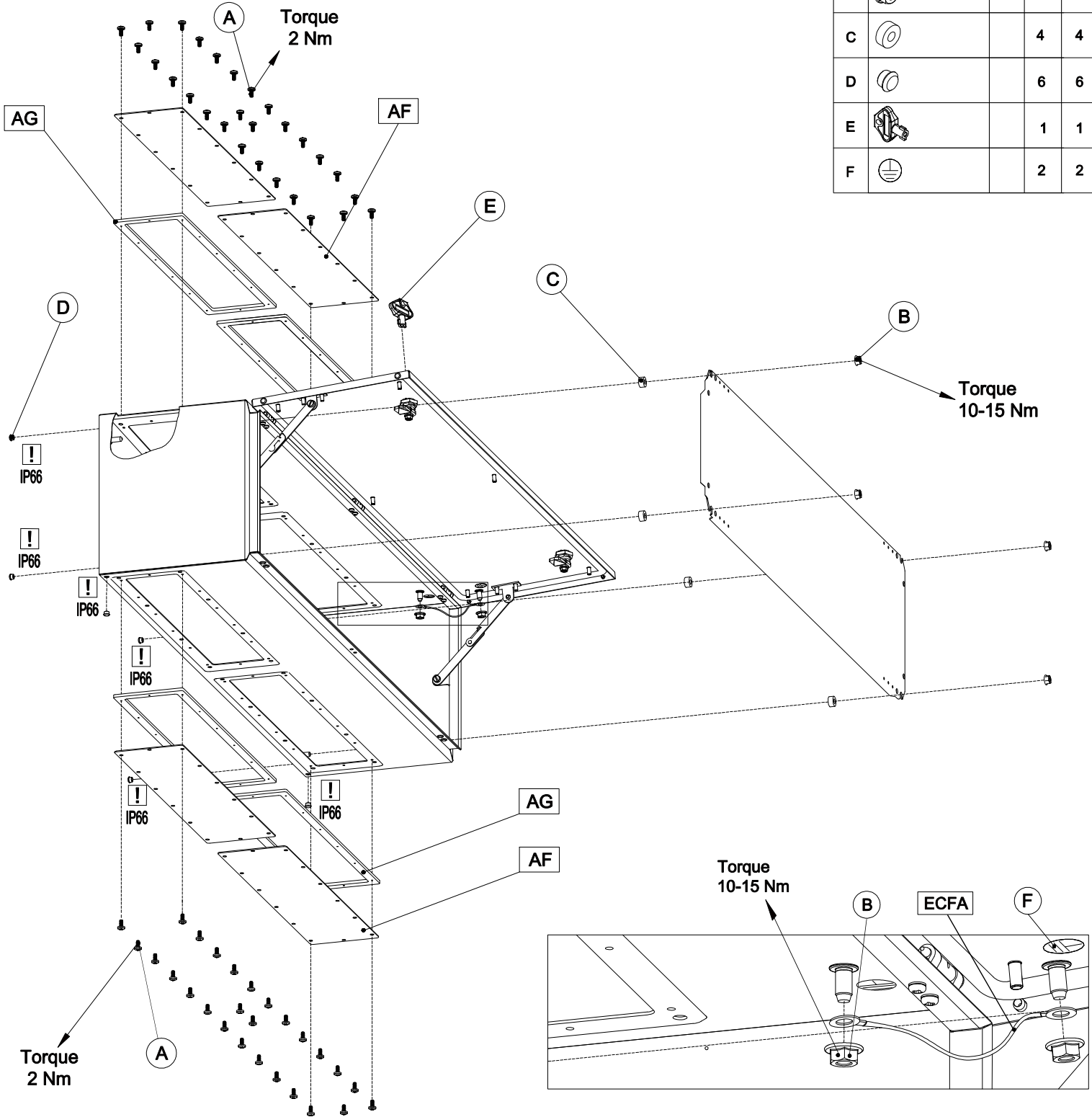


# MAP



Ref.	Pic.	W (mm)	600	800 ↓ 1200
A	M4.8x9.5		28	56
B	M8		6	6
C			4	4
D			6	6
E			1	1
F			2	2



**WARNING:** When mounting on or over a combustible surface, a floor plate of at least 1.43 mm galvanized or 1.6 mm uncoated steel extended at least 150 mm beyond the equipment on all sides must be installed.

**WARNING:** In order to maintain the environmental integrity of the enclosure, devices with the same environmental ratings shall be used to close openings in customized enclosure.