


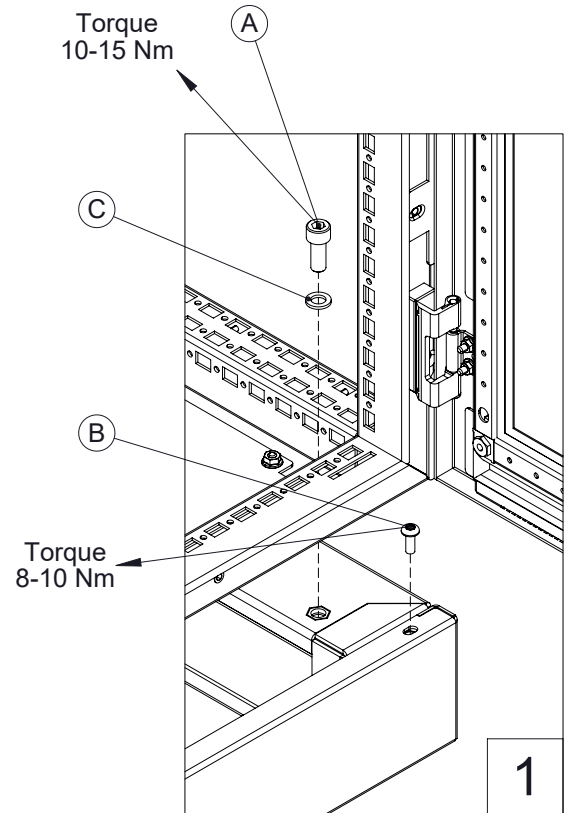
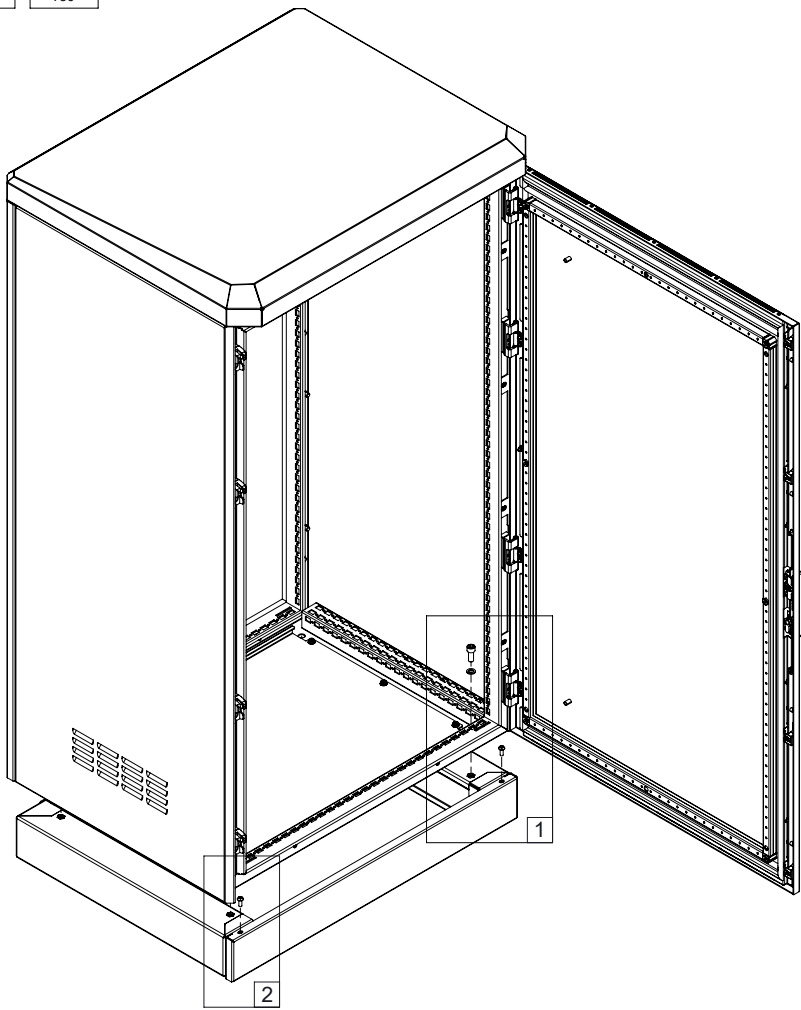
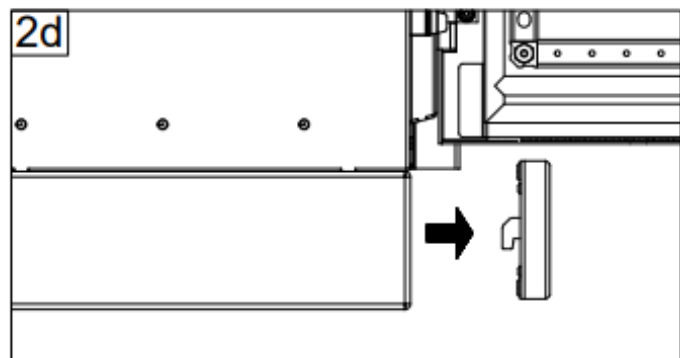
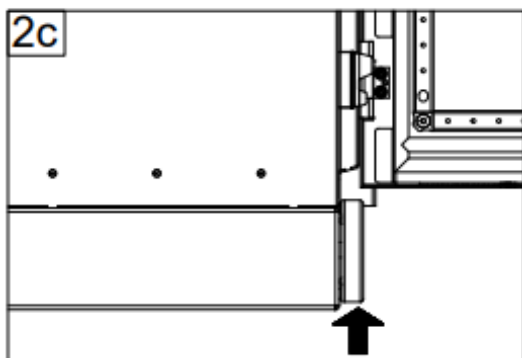
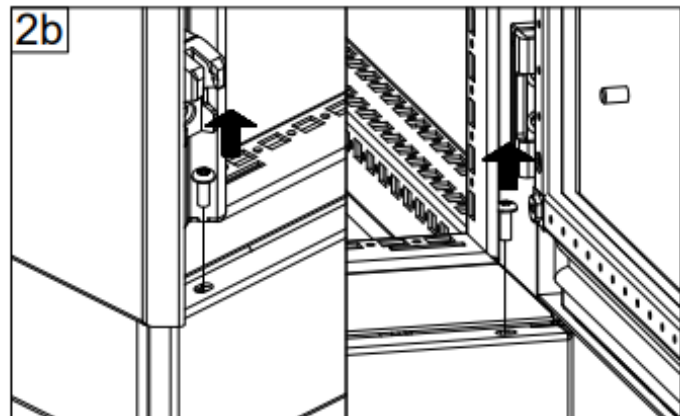
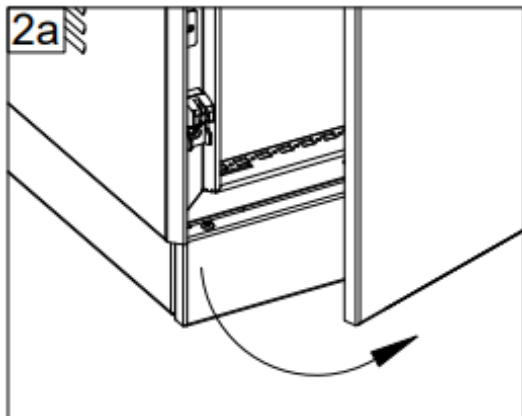


PFAL/EKOM

Ref.	Pic.	Qty.
A	 M10x25	4
B	 M6x16	2
C	 M10	4



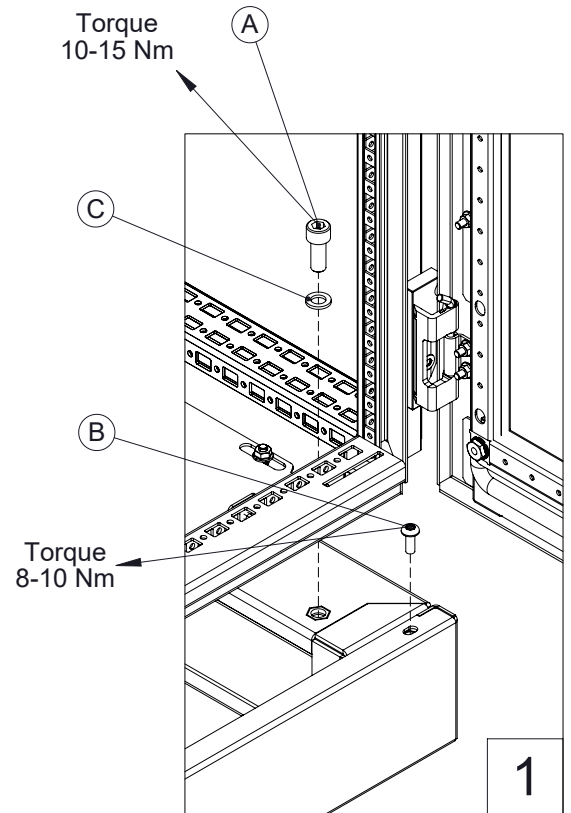
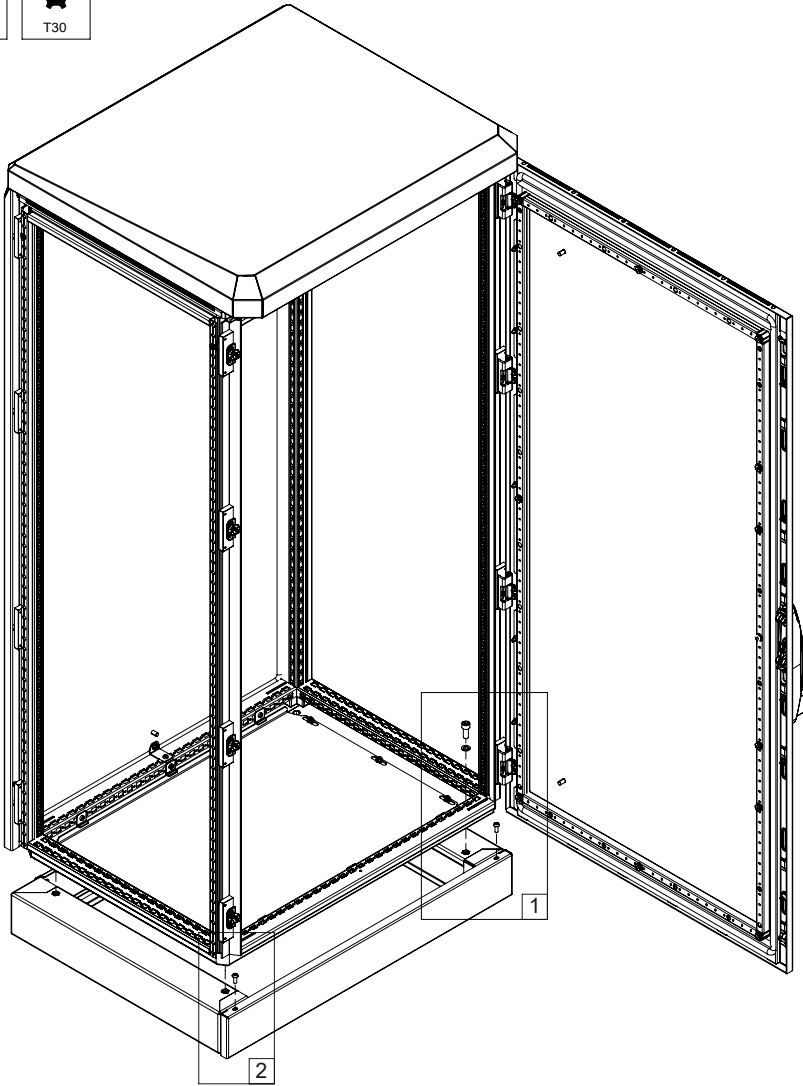
Demounting of the front PFAL plinth while EKOM is installed



PFAL/ECOM



Ref.	Pic.	Qty.
A		4
B		2
C		4



Demounting of the front PFAL plinth while ECOM is installed

