


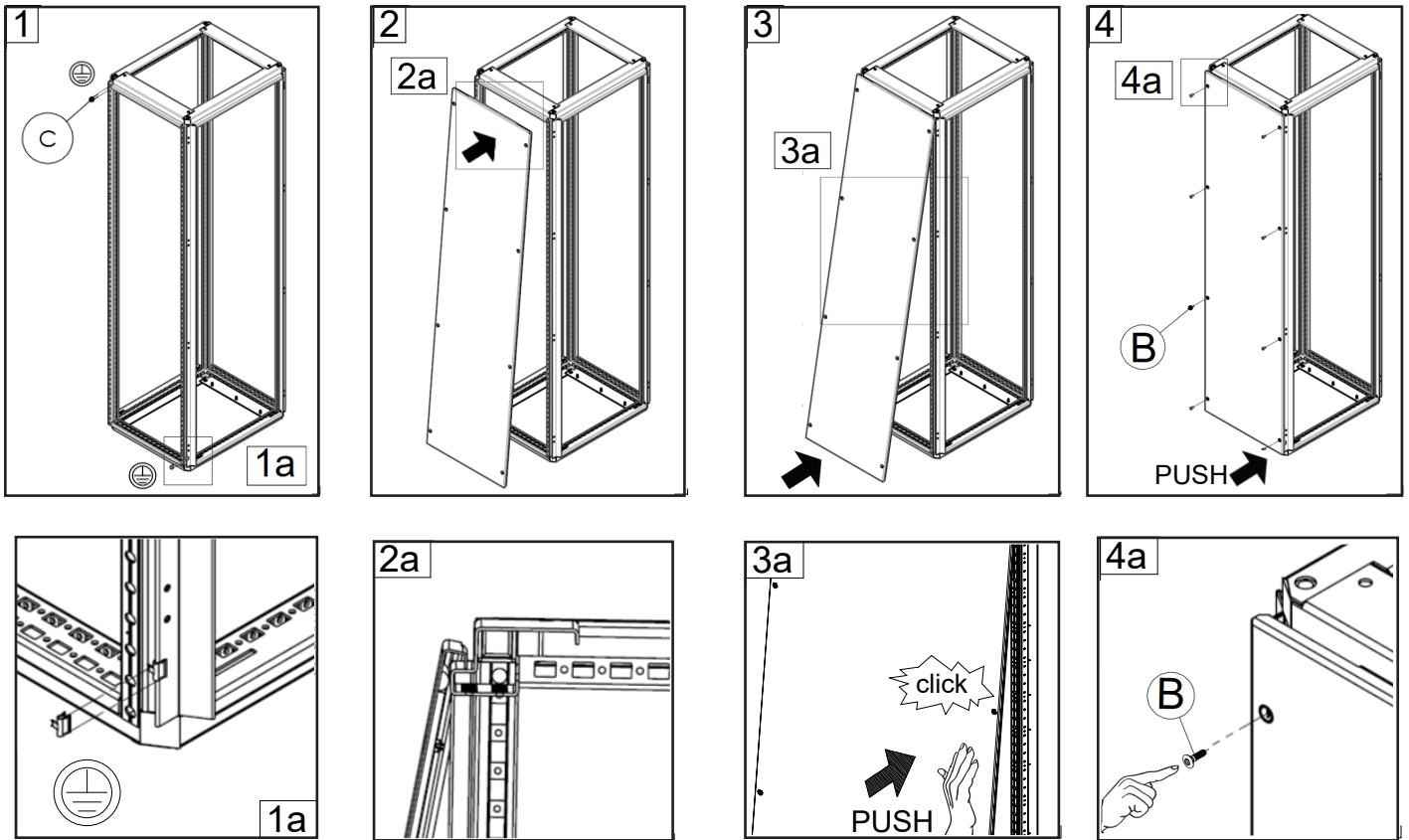


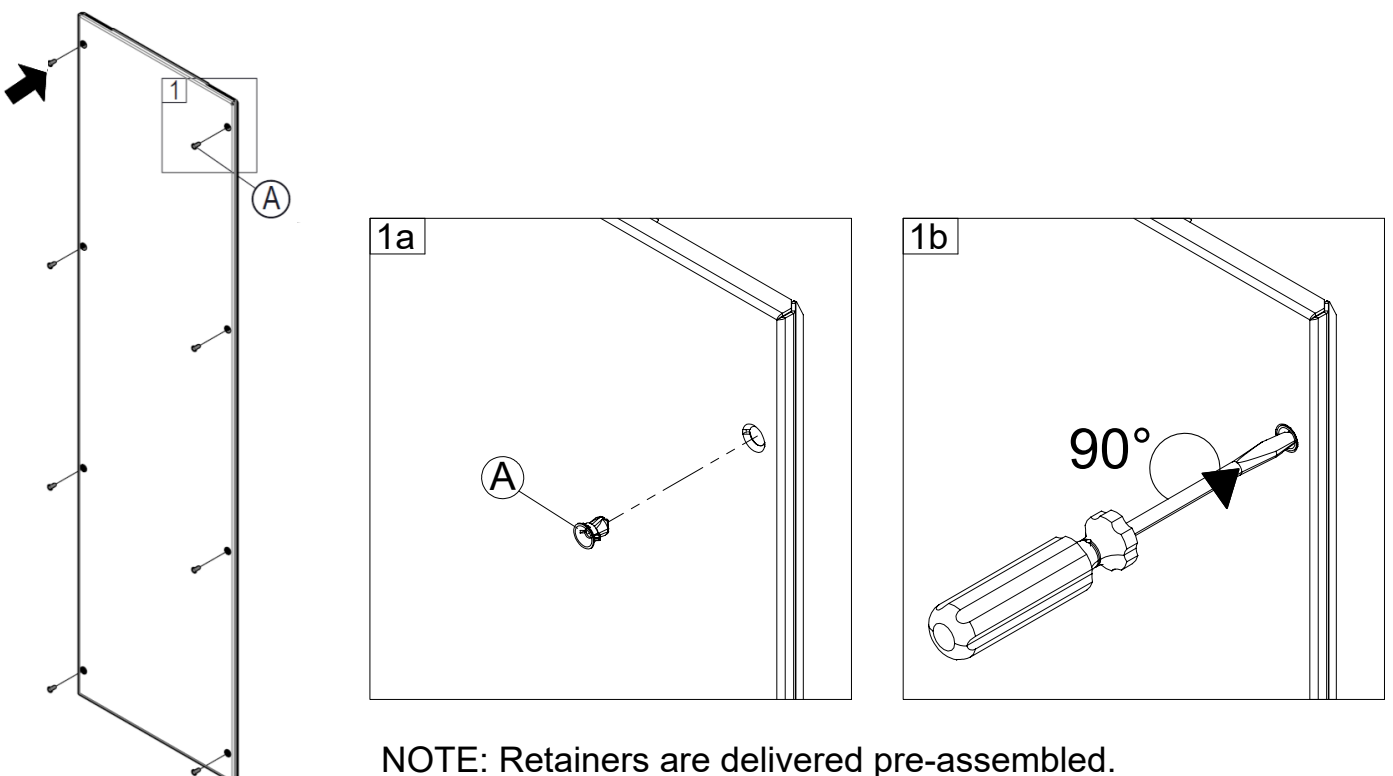
SPMS

| Ref. | Pic. | Qty. |
|------|---|------|
| A |  | 8 |
| B |  | 8 |
| C |  | 2 |

Side panel mounting



Retainer mounting



NOTE: Retainers are delivered pre-assembled.