

## CONNECT AND PROTECT

### Multi-protocol device gateway ProtoNode-RER-1.5K and ProtoNode-RER-10K

**PRODUCT OVERVIEW**

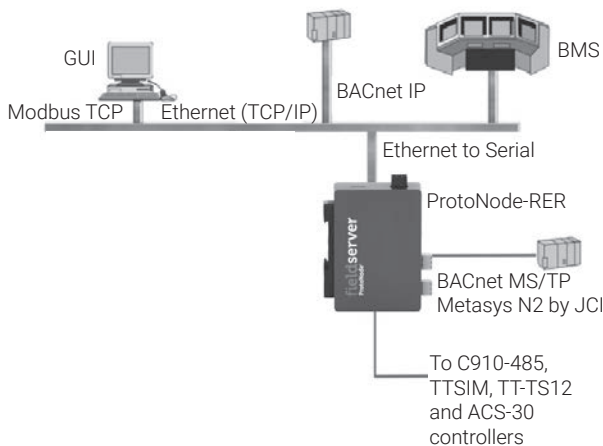


The nVent RAYCHEM ProtoNode is an external, high performance multi-protocol gateway for customers needing protocol translation between Building Management Systems (BMS) using BACnet® or Metasys® N2 and the nVent RAYCHEM C910-485, ACS-30, TT-TS12 or TTSIM controllers.

The nVent RAYCHEM ProtoNode-RER-1.5K and ProtoNode-RER-10K come pre-programmed with the C910-485, ACS-30, TT-TS12 and TTSIM Modbus® profiles for simple integration into a BMS. One ProtoNode can connect to: one ACS-30 system or up to six C910-485 controllers or up to 6 TT-TS12s or up to 255 TT-SIM modules.

**ProtoNode-RER-1.5K:** Provides support for Modbus RTU to BACnet MS/TP, BACnet IP (BTL Certified), and Metasys N2 protocol translation for C910-485, TTSIM and smaller scale ACS-30 systems (up to 5 PCM panels). The gateway features an ARM9 processor for fast performance and includes two RS-485 and one Ethernet ports.

**ProtoNode-RER-10K:** Provides support for Modbus RTU to BACnet MS/TP, BACnet IP (BTL Certified), and Metasys N2 protocol translation for larger ACS-30 systems (up to 34 PCM panels). The gateway features an ARM9 processor for fast performance and includes two RS-485 and one Ethernet ports.



**Features and benefits:**

- The most flexible and versatile multiprotocol device server on the market
- BACnet International’s BTL Certification makes the ProtoNode-RER the most reliable gateway on the market
- Multi-client and multi-server support ensures interoperability between any Industrial and or Building Automation protocols
- Flash upgradable

For additional information, contact your nVent representative or call (800) 545-6258.

**APPROVALS**



BACnet Testing Labs (BTL) B-ASC on ProtoNode-RER

## SPECIFICATIONS

### ProtoNode-RER-1.5K & ProtoNode-RER-10K

Electrical connections	<ul style="list-style-type: none"> <li>• One 3-pin Phoenix connector, one RS-485 +/- ground port, power +/- frame ground port</li> <li>• Two 3-pin RS-485 Phoenix connector, Two RS-485 +/- ground port</li> <li>• One Ethernet-10/100 Ethernet port</li> </ul>
Power requirements	9–30 Vdc or Vac, or 5 Vdc
Max. power	3W @12 Vdc
Supported field protocols	<ul style="list-style-type: none"> <li>• BACnet IP (Ethernet)</li> <li>• BACnet MS/TP (RS-485)</li> <li>• Metasys N2 open (RS-485)</li> </ul>
Operating temperature	–20 to 70°C (–4 to 158°F)
Relative humidity	10–95% RH, noncondensing
Enclosure dimensions (HxWxD)	4 x 1.1 x 2.7 in (10.16 x 2.8 x 6.8 cm)

## NUMBER OF PROTONODE/CONTROLLER CONNECTIONS

Description	ProtoNode-RER-1.5K	ProtoNode-RER-10K
C910-485	6	N/A
TT-TS12	6	N/A
TTSIM modules	100	N/A
ACS-PCM2-5 Panels	5	34

## ORDERING DETAILS

Description	Catalog number	Part number	Weight (lbs/kg)
ProtoNode-RER-1.5K: BACnet MSTP/IP and Metasys N2 protocol gateway	ProtoNode-RER-1.5K	2000004256	0.4/0.2
ProtoNode-RER-10K: BACnet MSTP/IP and Metasys N2 protocol gateway	ProtoNode-RER-10K	2000004257	0.3/0.14

### North America

Tel +1.800.545.6258  
thermal.info@nVent.com

### Latin America

Tel +1.713.868.4800  
thermal.info@nVent.com



Our powerful portfolio of brands:

**CADDY ERICO HOFFMAN ILSCO RAYCHEM SCHROFF**