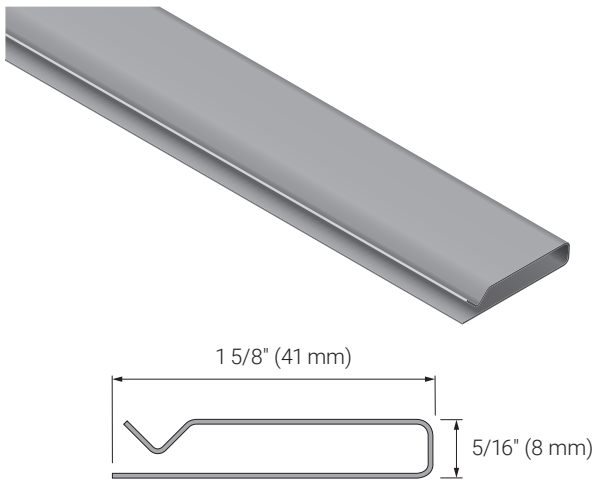


Cable Cover Bracket

PRODUCT OVERVIEW



nVent RAYCHEM Cable Cover Bracket (CCB) is designed to mount on the roof or gutters and embeds one or two runs of self-regulating heating cable. It is used to enhance the heat transfer from the heating cable to the snow and create larger drain paths.

CCB provides:

- Long term roof deicing solution by mechanically protecting the heating cable
- Aesthetically pleasing solution by concealing the heating cable
- High performance and reliable solution for snow melt in gutters or other roof sections

CATALOG NUMBER

CCB-CU, Cable Cover Bracket, copper
 CCB-AL, Cable Cover Bracket, aluminum

MATERIALS OF CONSTRUCTION

CCB	Aluminum (available in 30 colors. Please refer to RIM color guide H59379) Copper Custom (Corten, Zinc, Lead coated copper etc.)
-----	---

ADDITIONAL MATERIALS (AS REQUIRED)

RIM Adhesive/Sealant	Silicone adhesive for RIM systems
----------------------	-----------------------------------

PRODUCT SPECIFICATIONS (NOMINAL)

Minimum Installation Temperature	0°F (−18°C)
Overall Dimensions	Width: 1 5/8 ± 1/16 in (41 mm) Thickness: 5/16 ± 1/32 in (8 mm)
Material Thickness	Aluminum: 0.040 in Copper: 20 oz/ft ²
Weight	Aluminum: 170 lb/1000 ft (252 kg/km) Copper: 310 lb/1000 ft (461 kg/km)

North America

Tel +1.800.545.6258
Fax +1.800.527.5703
thermal.info@nVent.com



Our powerful portfolio of brands:

CADDY ERICO HOFFMAN RAYCHEM SCHROFF TRACER

©2023 nVent. All nVent marks and logos are owned or licensed by nVent Services GmbH or its affiliates. All other trademarks are the property of their respective owners. nVent reserves the right to change specifications without notice.

RAYCHEM-DS-H59999-CCB-EN-2302