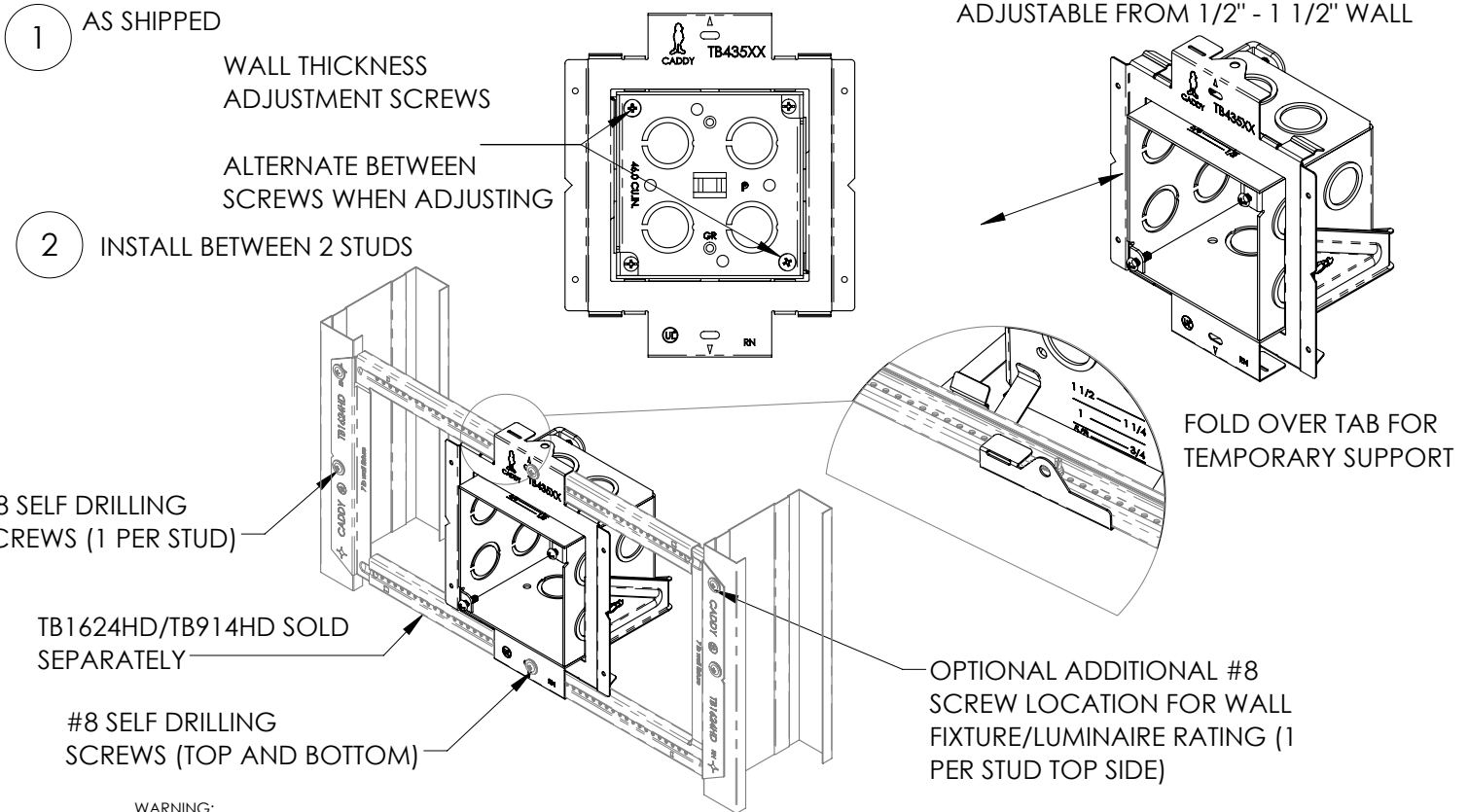


# TB435FB, TB435, TB425FB, TB425, TB425FBS, TB425S 1/2" - 1 1/2" ADJUSTABLE BOX ASSEMBLY

PART NUMBER	COATING	BOX SIZE	WALL ADJUSTMENT	LOAD RATING CEILING	LOAD RATING WALL*
TB435FB	RED	4" X 4" X 3.5"	1/2" - 1 1/2"	50LB FIXTURE/LUMINAIRE	7LB FIXTURE/LUMINAIRE UP TO 20" STUD SPAN
TB435	GALVANIZED	4" X 4" X 3.5"	1/2" - 1 1/2"		
TB425FB	RED	4" X 4" X 2.5"	1/2" - 1 1/2"		
TB425	GALVANIZED	4" X 4" X 2.5"	1/2" - 1 1/2"		
TB425FBS	RED	4" X 4" X 2.5"	FLUSH - 3/4"		
TB425S	GALVANIZED	4" X 4" X 2.5"	FLUSH - 3/4"		

\* LOAD RATING: 6LB OVER 20" STUD SPAN

STANDARD PRE-FAB ASSEMBLIES	
PART NUMBER	DESCRIPTION
TBTFB	HEAVY DUTY TELESCOPING BRACKET T-GRID ASSEMBLY WITH FIRE ALARM BOX
TBP4DM1	HEAVY DUTY TELESCOPING BRACKET BETWEEN STUD ASSEMBLY WITH 3/4" MUDRING
TBP4D	HEAVY DUTY TELESCOPING BRACKET BETWEEN STUD ASSEMBLY NO MUDRING
TBP4DV1	HEAVY DUTY TELESCOPING BRACKET BETWEEN STUD ASSEMBLY WITH SINGLE GANG ADJ. MUDRING
TBFB	HEAVY DUTY TELESCOPING BRACKET ASSEMBLY WITH FIRE ALARM BOX
TBP4DM1PP1M5	HEAVY DUTY TELESCOPING BRACKET BETWEEN STUD ASSEMBLY WITH 4" & 4-11/16" BOXES FOR 3/4" DRYWALL
TBP4DPP1	HEAVY DUTY TELESCOPING BRACKET BETWEEN STUD ASSEMBLY WITH (12) 1/2", 3/4" KNOCKOUTS, 4-11/16" BOX 2
TBP4DPD1	HEAVY DUTY TELESCOPING BRACKET BETWEEN STUD WITH (4) 1" & (4) 1-1/4" KNOCKOUTS, 4-11/16" BOX 2



**WARNING:**

- nVent products shall be installed and used only as indicated in nVent product instruction sheets and training materials. Instruction sheets are available at [www.nVent.com](http://www.nVent.com) and from your nVent customer service representative.
- nVent products must never be used for a purpose other than the purpose for which they were designed or in a manner that exceeds specified load ratings.
- All instructions must be completely followed to ensure proper and safe installation and performance.
- Improper installation, misuse, misapplication or other failure to completely follow nVent's instructions and warnings may cause product malfunction, property damage, serious bodily injury and/or death, and void your warranty.
- Products that are manufactured using spring steel components shall be used only in a non-corrosive indoor environment.
- All pipe supports, hangers, intermediate components and structural attachments must ONLY be used as described herein and are NEVER to be used for any other purpose.

NOTE: All load ratings are for static conditions and do not account for dynamic loading such as wind, water or seismic loads, unless otherwise noted.

The customer is responsible for:

- Conformance to all governing codes.
- The integrity of structures to which the products are attached, including their capability of safely accepting the loads imposed, as evaluated by a qualified engineer.
- Using appropriate industry standard hardware as noted above.

**SAFETY INSTRUCTIONS:**

All governing codes and regulations and those required by the job site must be observed. Always use appropriate safety equipment such as eye protection, hard hat, and gloves as appropriate to the application.

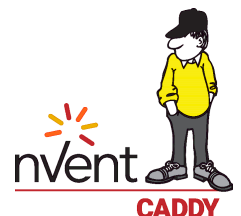
nVent, nVent CADDY, nVent ERICO Cadweld, nVent ERICO Critec, nVent ERICO, nVent ERIFLEX, and nVent LENTON are owned by nVent or its global affiliates. All other trademarks are the property of their respective owners. nVent reserves the right to change specifications without prior notice.

TECHNICAL SUPPORT:  
[www.nVent.com](http://www.nVent.com)

CFS617\_G

1 OF 2

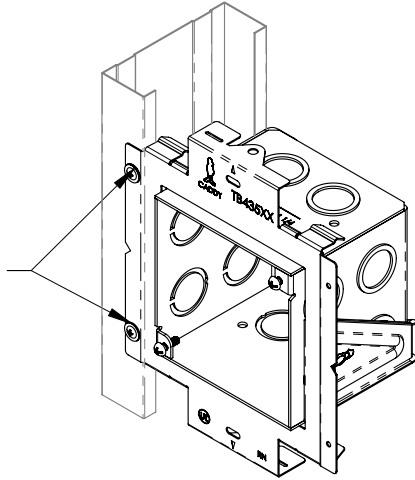
© 2020-2023 nVent All Rights Reserved



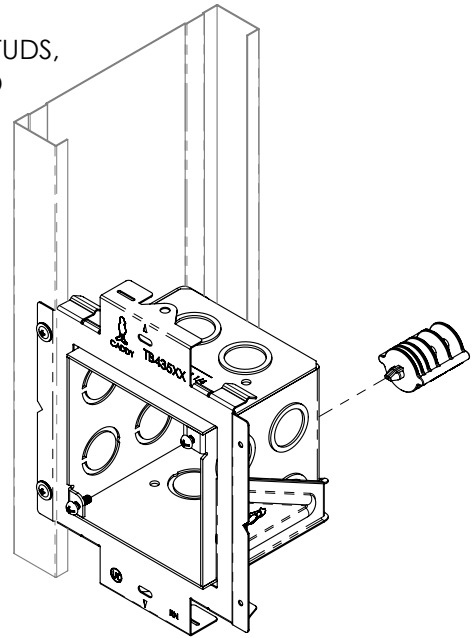
3

INSTALL TO SINGLE STUD

# 8 SELF DRILLING SCREWS



FOR DEEP STUDS, USE 766PMD



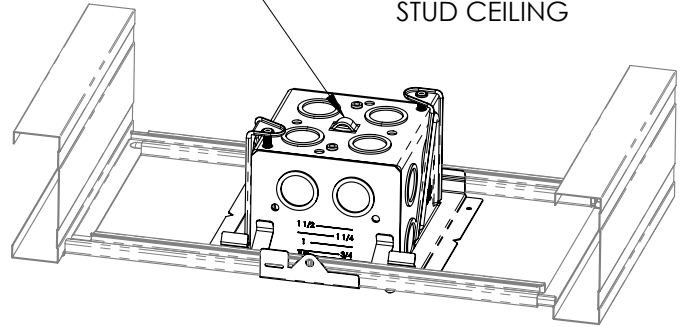
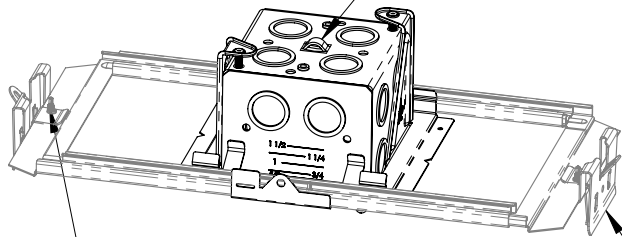
4

INSTALL TO A CEILING

ACOUSTICAL CEILING GRID

LOOP FOR 12 GAUGE DROP WIRE. (OPTIONAL FOR BOX SUPPORT)

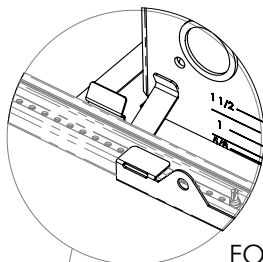
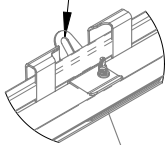
STUD CEILING



#8 SELF DRILLING SCREWS  
1 PER CLIP

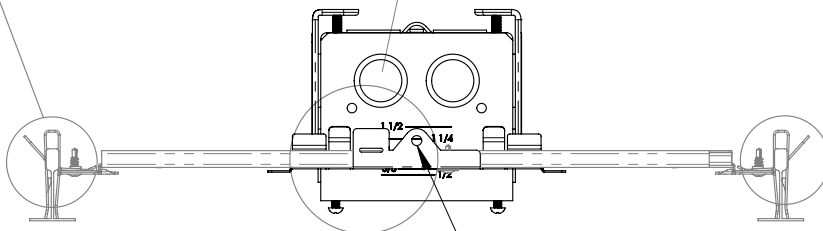
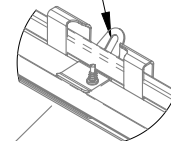
(2) TBTG SOLD SEPARATELY

OPTIONAL DROP WIRE ATTACHMENT HOLE



FOLD OVER TAB FOR TEMPORARY SUPPORT

OPTIONAL DROP WIRE ATTACHMENT HOLE



OPTIONAL DROP WIRE ATTACHMENT HOLE