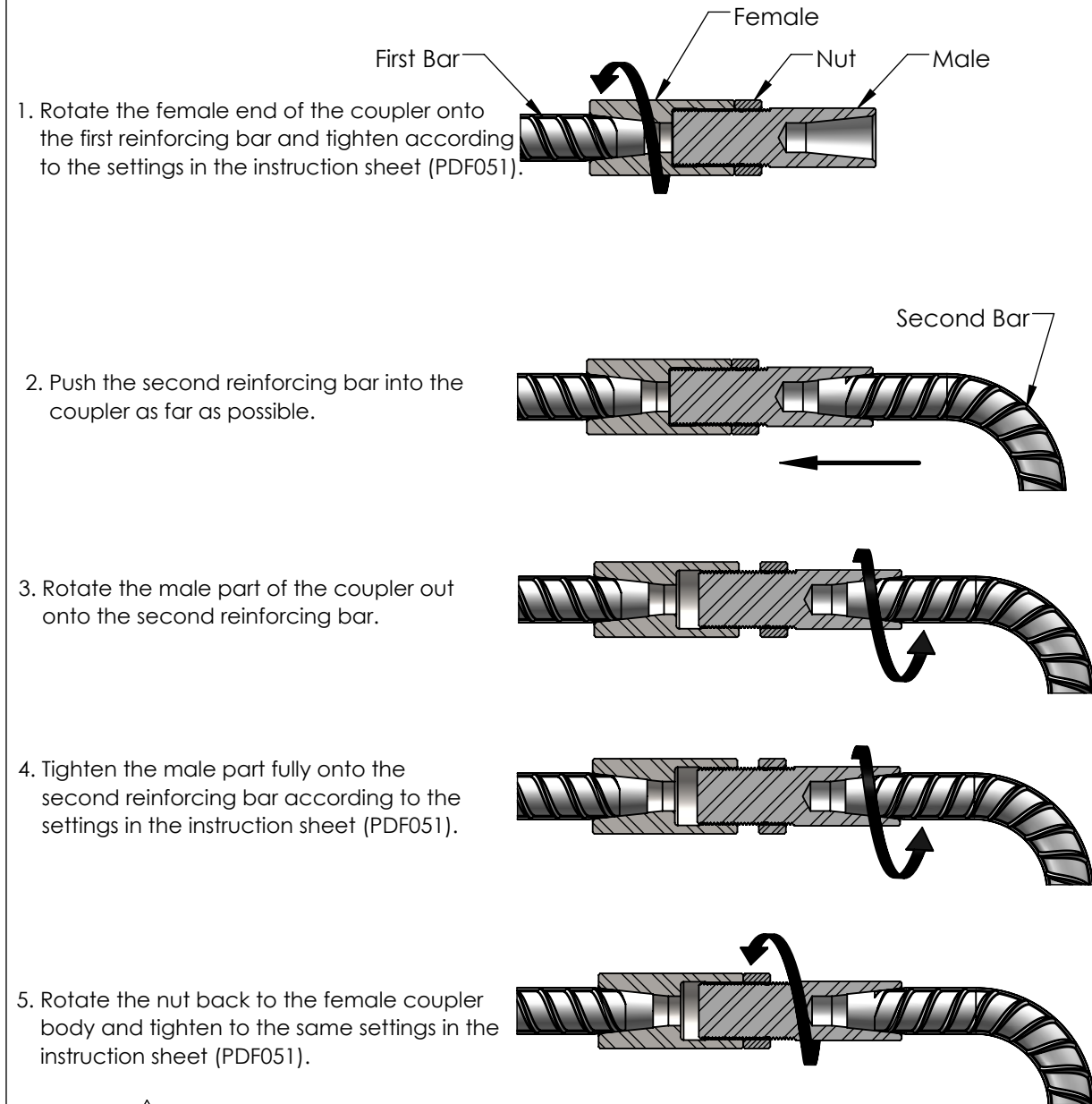


# Position Coupler Selection

**P14L Family : The second bar must be able to be placed completely into the coupler prior to tightening.**  
**P13L Coupler Family: The P13L has more adjustment than the P14L and can close a gap equivalent to dimension "M" in the table.**

## Installation P14L Coupler



⚠ Ensure that the groove in the thread of the male part can not be seen. Refer to PDF051

This document and the contents thereof is the property of nVent and is furnished to you for information only. All dimensions and tolerances are in inches [mm], unless otherwise specified. Revisions are to be computer processed. No manual changes permitted. This document is not to be used as an instruction sheet.

- WARNING:**
- nVent products shall be installed and used only as indicated in nVent product instruction sheets and training materials. Instruction sheets are available at [www.nVent.com](http://www.nVent.com) and from your nVent customer service representative.
  - nVent products must never be used for a purpose other than the purpose for which they were designed or in a manner that exceeds specified load ratings.
  - All instructions must be completely followed to ensure proper and safe installation and performance.
  - Improper installation, misuse, misapplication or other failure to completely follow nVent's instructions and warnings may cause product malfunction, property damage, serious bodily injury and/or death, and void your warranty.

The customer is responsible for:  
 a. Conformance to all governing codes.  
 b. The integrity of structures to which the products are attached, including their capability of safely accepting the loads imposed, as evaluated by a qualified engineer.  
 c. Using appropriate industry standard hardware as noted above.

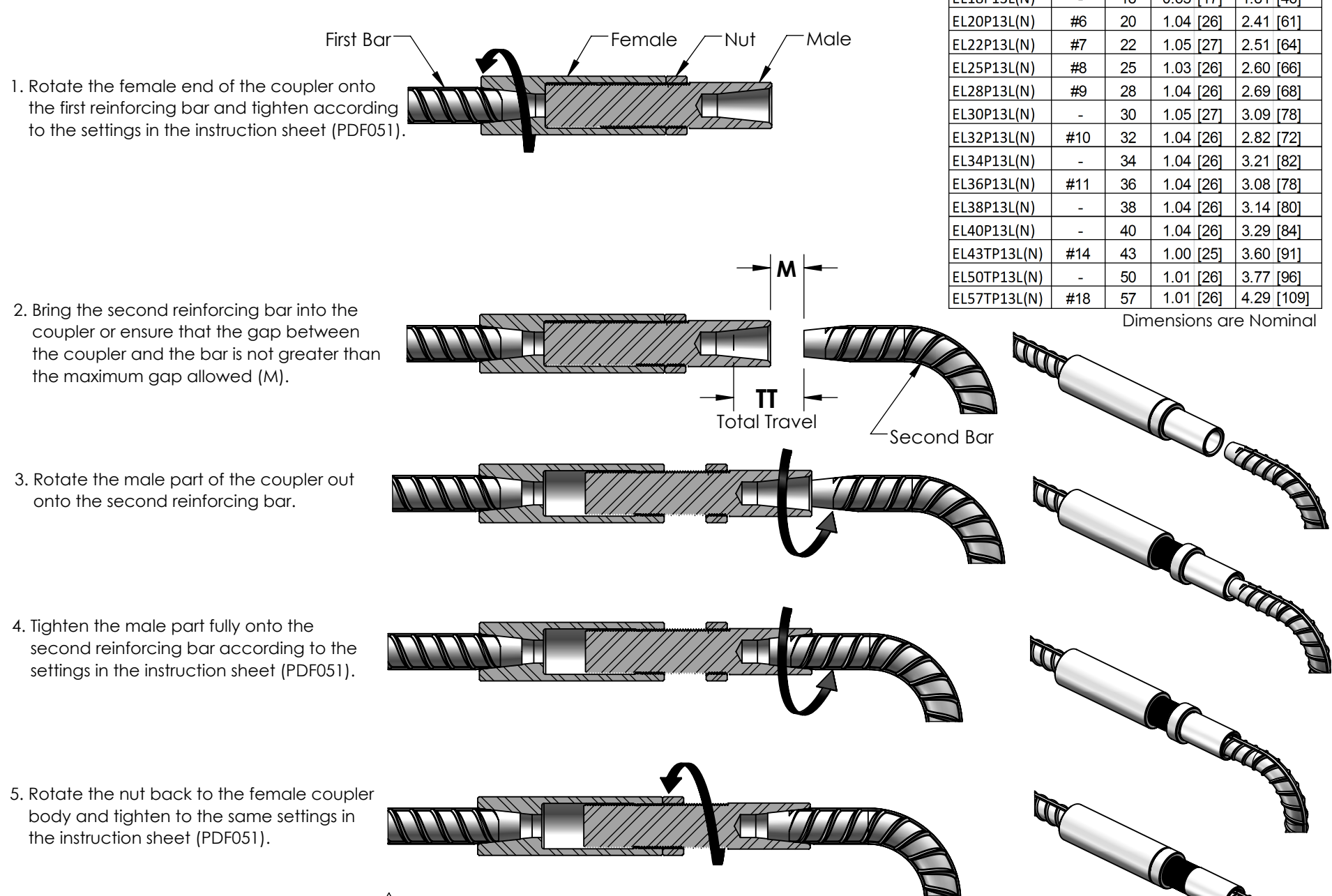
**SAFETY INSTRUCTIONS:**  
 All governing codes and regulations and those required by the job site must be observed. Always use appropriate safety equipment such as eye protection, hard hat, and gloves as appropriate to the application.

nVent, CADDY, ERICO CADWELD, ERICO CRITEC, ERICO, ERIFLEX, and LENTON are owned by nVent or its global affiliates. All other trademarks are the property of their respective owners. nVent reserves the right to change specifications without prior notice.

TECHNICAL SUPPORT:  
[www.nVent.com](http://www.nVent.com)

CRSELPL \_ B

## Installation P13L Coupler



⚠ Ensure that the groove in the thread of the male part can not be seen. Refer to PDF051.

Coupler Size	Bar Size		M	TT
	US	Metric	Inch [mm]	Inch [mm]
EL10P13L(N)	#3	10	0.66 [17]	1.37 [35]
EL12P13L(N)	#4	12	0.66 [17]	1.39 [35]
EL14P13L(N)	-	14	0.66 [17]	1.50 [38]
EL16P13L(N)	#5	16	0.69 [18]	1.65 [42]
EL18P13L(N)	-	18	0.65 [17]	1.81 [46]
EL20P13L(N)	#6	20	1.04 [26]	2.41 [61]
EL22P13L(N)	#7	22	1.05 [27]	2.51 [64]
EL25P13L(N)	#8	25	1.03 [26]	2.60 [66]
EL28P13L(N)	#9	28	1.04 [26]	2.69 [68]
EL30P13L(N)	-	30	1.05 [27]	3.09 [78]
EL32P13L(N)	#10	32	1.04 [26]	2.82 [72]
EL34P13L(N)	-	34	1.04 [26]	3.21 [82]
EL36P13L(N)	#11	36	1.04 [26]	3.08 [78]
EL38P13L(N)	-	38	1.04 [26]	3.14 [80]
EL40P13L(N)	-	40	1.04 [26]	3.29 [84]
EL43TP13L(N)	#14	43	1.00 [25]	3.60 [91]
EL50TP13L(N)	-	50	1.01 [26]	3.77 [96]
EL57TP13L(N)	#18	57	1.01 [26]	4.29 [109]

Dimensions are Nominal

B	REBRANDING	1014907	02MAR18	JLC	MNB	ADM	-	-
REV	DESCRIPTION	ESN #	DATE	DRN	CHK	APP	QA	MFG
Tolerance (Inch) Unless Noted						Third Angle Projection 		
Angular Tolerance: ±N/A°								
Fractional Tolerance: ±N/A								
Two Place Decimal: ±N/A								
Three Place Decimal: ±N/A		Title: CRS, INSTALLATION P13L, P14L COMPARISON P13L AND P14L POSITION COUPLERS						
Tolerance [mm] Unless Noted		Scale		DWG		CRSELPL		REV B
Angular Tolerance: ±N/A°		None						
One Place Decimal: ±N/A								
Two Place Decimal: ±N/A								
B Size	SHT	1	Of	1				

